

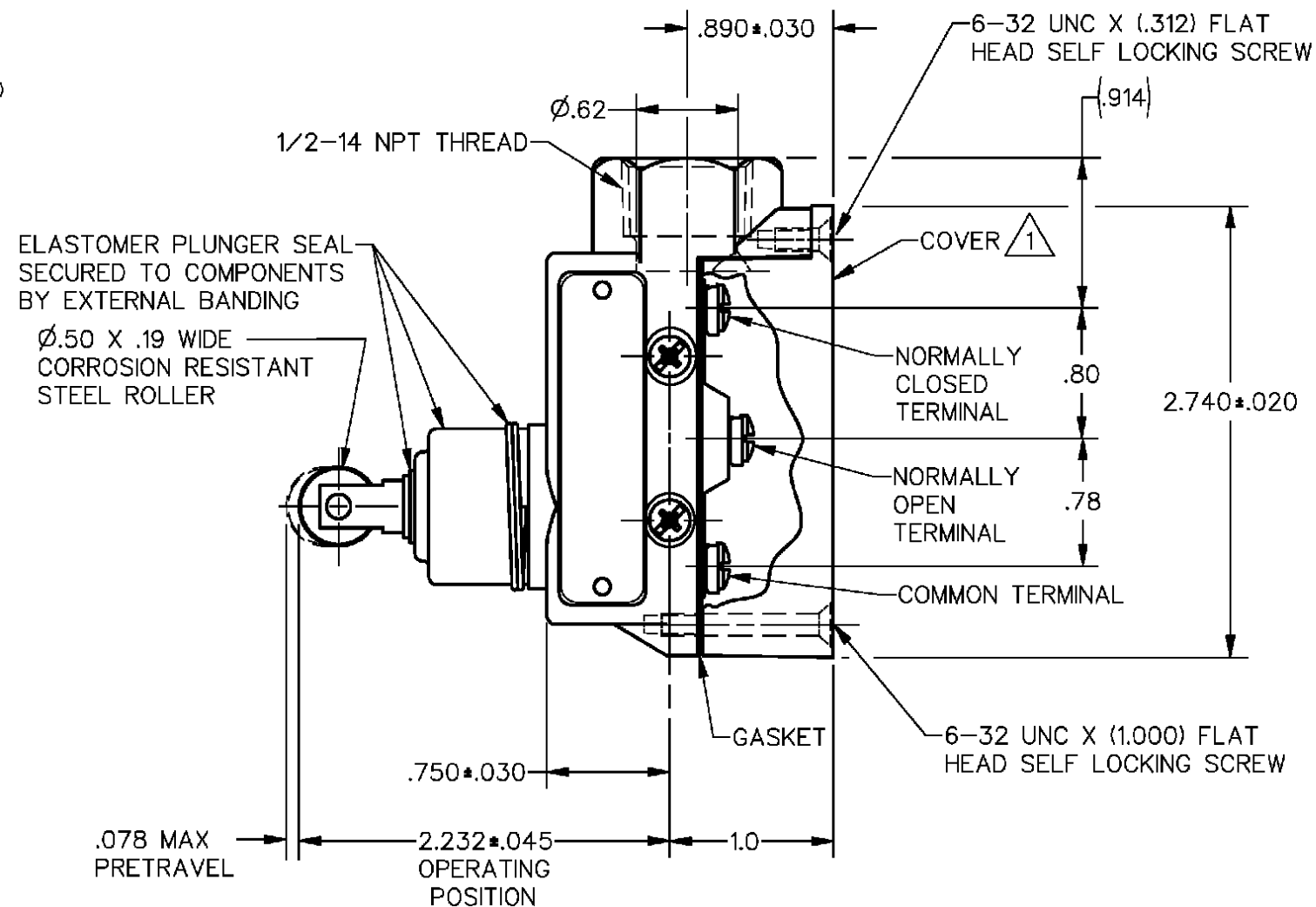
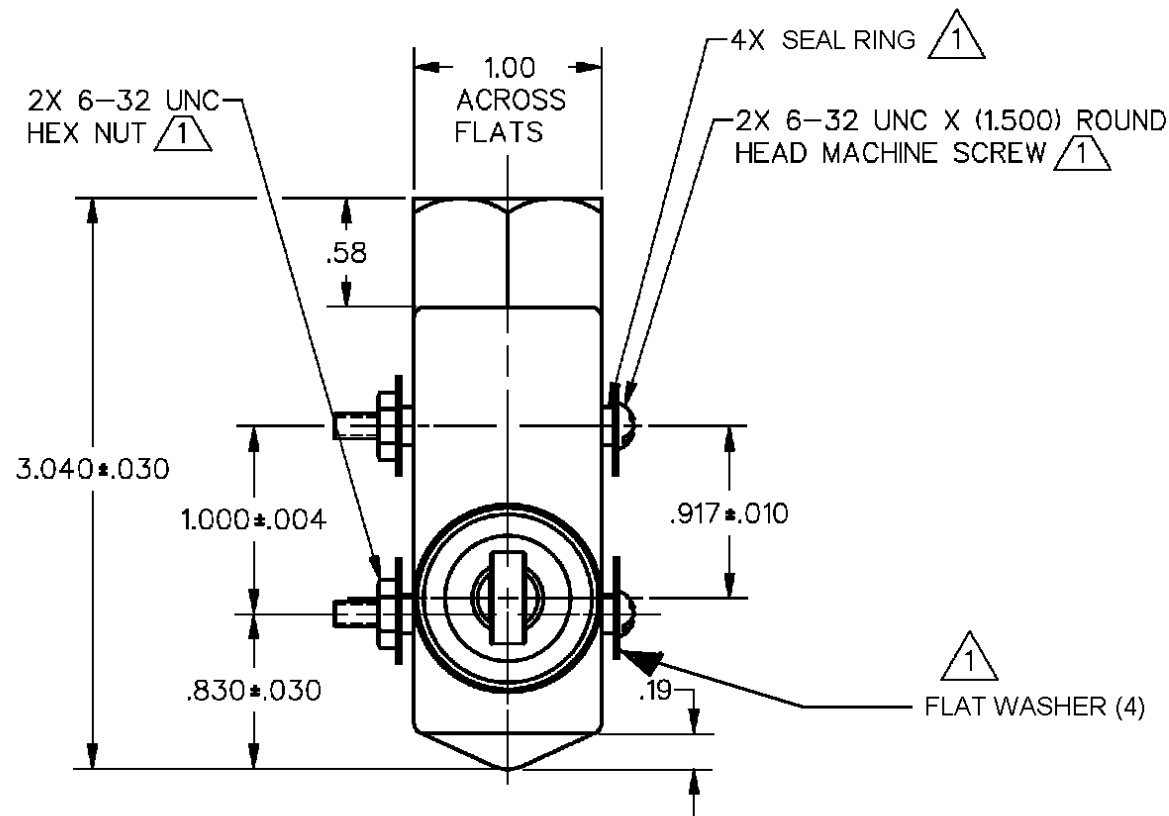
MICRO SWITCH
a Honeywell Division

SWITCH - ENCLOSED

CATALOG LISTING
BZE6-2RN80

FED. MFG. CODE 91929

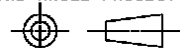
CATALOG LISTING
BZE6-2RN80
 REPLACES
 ISSUE **M** 11
 CHECK
 REVISIONS
 A CO-73738 S.A.V. 6 OCT 92
 B CO-73655 T.S.M. 22 APR 93
 C CO-77179A K.D.R. 17 FEB 94
 D 0017057
 V.K.R. 22 NOV 05
 CHECK
 22 NOV 05
 BP
 CHECK
 5 OCT 92
 DDM/CAD
 DRAWN



NOTE
 (1) FURNISHED UNASSEMBLED
 2 - 3X 6-32 UNC X (.219) BINDING HEAD TERMINAL SCREW AND CUPWASHER
 3 - SEAL RATING: NEMA1,3
 IP54

THIS DRAWING COVERS A PROPRIETARY ITEM AND IS THE PROPERTY OF MICRO SWITCH, A DIVISION OF HONEYWELL. THIS DRAWING IS NOT TO BE COPIED OR USED WITHOUT THE APPROVAL OF MICRO SWITCH

THIRD ANGLE PROJECTION



| CHARACTERISTICS | ELECTRICAL DATA |
|--|---|
| OPERATING FORCE ——— 9-24 OZ | CONTACT ARRANGEMENT S P D T |
| RELEASE FORCE ——— 4 OZ MIN | L74 15A 125, 250 OR 480 VAC 2A 600 VAC |
| DIFFERENTIAL TRAVEL ——— .0004-.0020 | 1/8HP 125 VAC, 1/4HP 250 VAC |
| OVERTRAVEL ——— .219 MIN | 1/2A 125 VDC, 1/4A 250 VDC |
| BASIC SWITCH REPLACEMENT ——— BZ-2RN784 | |

| CHARACTERISTICS | ELECTRICAL DATA |
|--|---|
| OPERATING FORCE ——— 9-24 OZ | CONTACT ARRANGEMENT S P D T |
| RELEASE FORCE ——— 4 OZ MIN | L74 15A 125, 250 OR 480 VAC 2A 600 VAC |
| DIFFERENTIAL TRAVEL ——— .0004-.0020 | 1/8HP 125 VAC, 1/4HP 250 VAC |
| OVERTRAVEL ——— .219 MIN | 1/2A 125 VDC, 1/4A 250 VDC |
| BASIC SWITCH REPLACEMENT ——— BZ-2RN784 | |

CE 1.5A, 240Vac



| SCALE | FULL |
|---|---------------|
| DO NOT SCALE PRINT | |
| UNLESS OTHERWISE SPECIFIED TOLERANCES ARE | |
| ONE PLACE | (.0) ±.030 |
| TWO PLACE | (.00) ±.015 |
| THREE PLACE | (.000) ±.005 |
| ANGLES | ± |
| WEIGHT | .56 LB APPROX |

ANSI Y14.5M-1982 APPLIES