



ALAN BUTCHER COMPONENTS LTD



Alan Butcher Components Ltd
Unit 1 Beechwood
Clump Farm Industrial Estate
Tin Pot Lane Blandford
Dorset DT11 7TD

Telephone 01258 456360
Facsimile 01258 459194
sales@abcomponents.co.uk
www.abcomponents.co.uk

ABI 008 SPECIFICATION SHEET

Features:

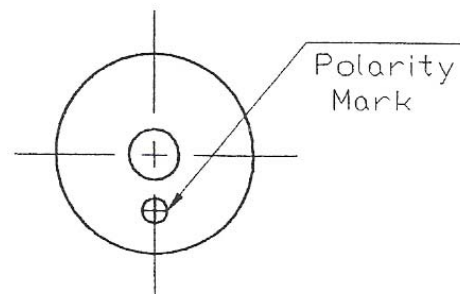
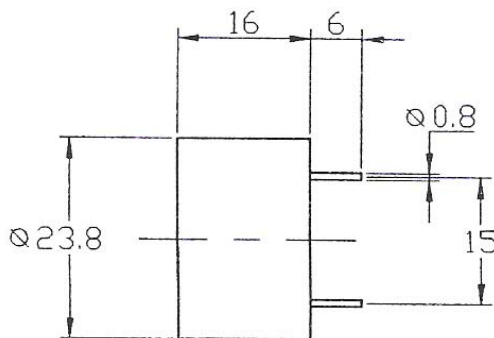
- Colour: Black
- Housing Material: ABS
- PCB Thro Hole Mounted

All data at 25°C unless otherwise specified.

SPECIFICATIONS	ABI 008 – Piezo Indicator
Rated Voltage	12VDC
Operating Voltage	3 ~ 20VDC
Rated Current at rated voltage	8mA
Min Sound Output at 30cm, at rated voltage	85dB
Resonant Frequency	2900±500Hz
Tone	Continuous
Operating Temperature	-20 ~ +60°C
Storage Temperature	-30 ~ +70°C
Weight	6g

Value applying rated voltage (DC)

DIMENSIONS: (UNIT: mm, TOLERANCE: ±0.5mm)





ALAN BUTCHER COMPONENTS LTD



Alan Butcher Components Ltd
Unit 1 Beechwood
Clump Farm Industrial Estate
Tin Pot Lane Blandford
Dorset DT11 7TD

Telephone 01258 456360
Facsimile 01258 459194
sales@abcomponents.co.uk
www.abcomponents.co.uk

