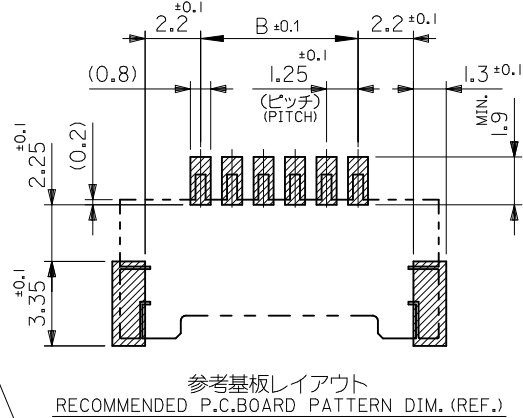
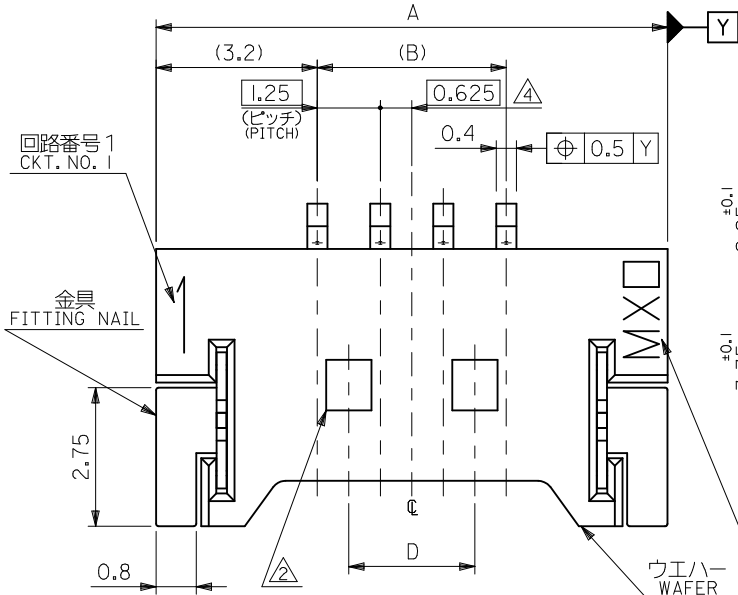


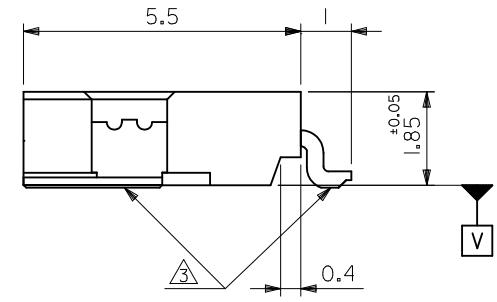
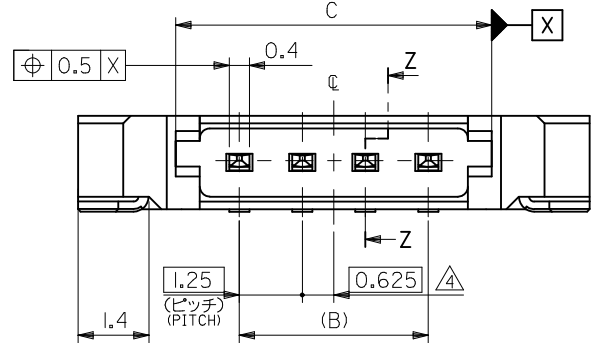
注記 NOTES

1. 嵌合相手：51146 シリーズ  
MATES WITH : 51146 SERIES
2. ロック窓は2、3極品は1箇所、4極品以上は2箇所とする。  
LOCKING WINDOW : ONE PLACE FOR 2 AND 3 CIRCUIT PRODUCTS  
AND TWO PLACES FOR MORE THAN 3 CIRCUIT PRODUCTS.
3. 基準面 [V] からのソルダーテールと金具の半田付け面のズレ量は、  
上方向に 0.05MAX.、下方向 0.15MAX. とし、20 極以下の相互の  
バラツキ量は 0.1MAX. とする。  
MISALIGNMENT OF SOLDER TAIL AND FITTING NAIL FROM [V]  
: UPPER DIRECTION 0.05MAX.  
: LOWER DIRECTION 0.15MAX.  
: OFFSET BETWEEN UPPER AND LOWER 0.1MAX. (UNDER 20 CKTS.)
4. 偶数極の製品に適用。  
APPLY EVEN CIRCUIT PRODUCTS.
5. 材質 MATERIAL  
ウエハー WAFER : PPS , UL94V-0  
ピン: リン青銅 PIN : PHOSPHOR BRONZE  
コンタクト部: 金メッキ 0.2 マイクロメートル以上  
CONTACT AREA : GOLD 0.2 MICROMETER MINIMUM  
テール部: 錫メッキ 3.0 マイクロメートル以上  
TAIL AREA : TIN 3.0 MICROMETER MINIMUM  
下地メッキ: ニッケルメッキ 1.0 マイクロメートル以上  
UNDER PLATING : NICKEL 1.0 MICROMETER MINIMUM  
金具: リン青銅 FITTING NAIL : PHOSPHOR BRONZE  
錫メッキ 3.0 マイクロメートル以上  
TIN 3.0 MICROMETER MINIMUM  
下地メッキ: ニッケルメッキ 1.0 マイクロメートル以上  
UNDER PLATING : NICKEL 1.0 MICROMETER MINIMUM
6. 本製品は 53780-\*\*-\*\*10/-\*\*-\*\*18 の鉛フリー品である。  
THIS PRODUCT IS LEAD FREE OF 53780-\*\*-\*\*10/-\*\*-\*\*18.
7. ELV 及び RoHS 適合品  
ELV & RoHS COMPLIANT.

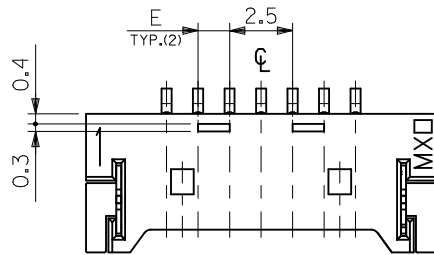


参考基板レイアウト  
RECOMMENDED P.C.BOARD PATTERN DIM. (REF.)

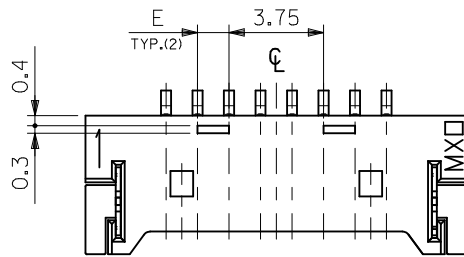
|                                     |       |       |       |       |                  |      |
|-------------------------------------|-------|-------|-------|-------|------------------|------|
| 16.25                               | 22.5  | 38.77 | 36.25 | 42.65 | 53780-3070       | 30   |
| 8.75                                | 22.5  | 26.27 | 23.75 | 30.15 | -2070            | 20   |
| 7.5                                 | 20    | 23.77 | 21.25 | 27.65 | -1870            | 18   |
| 6.25                                | 16.25 | 20.02 | 17.5  | 23.9  | -1570            | 15   |
| 5                                   | 15    | 18.77 | 16.25 | 22.65 | -1470            | 14   |
| 3.75                                | 12.5  | 16.27 | 13.75 | 20.15 | -1270            | 12   |
| 2.5                                 | 10    | 13.77 | 11.25 | 17.65 | -1070            | 10   |
| 2.5                                 | 8.75  | 12.52 | 10    | 16.4  | -0970            | 9    |
| 1.25                                | 7.5   | 11.27 | 8.75  | 15.15 | -0870            | 8    |
| 1.25                                | 6.25  | 10.02 | 7.5   | 13.9  | -0770            | 7    |
| --                                  | 5     | 8.77  | 6.25  | 12.65 | -0670            | 6    |
| --                                  | 3.75  | 7.52  | 5     | 11.4  | -0570            | 5    |
| --                                  | 2.5   | 6.27  | 3.75  | 10.15 | -0470            | 4    |
| --                                  | --    | 5.02  | 2.5   | 8.9   | -0370            | 3    |
| --                                  | --    | 3.77  | 1.25  | 7.65  | 53780-0270       | 2    |
| E                                   | D     | C     | B     | A     | EMBOSSED PACKAGE | CKT. |
| CONNECTION SERIES NO. 53780-**-**19 |       |       |       |       |                  | 極数   |
| オーダー番号 ORDER No.                    |       |       |       |       |                  |      |



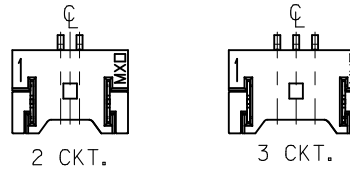
|   |  |  |                 |           |  |  |
|---|--|--|-----------------|-----------|--|--|
| REVISED<br>EC NO: J2010-1927<br>DRWN: KUROSE 2010/03/25<br>CHKD: KASAKAWA 2010/03/26<br>APPR: NUKITA 2010/03/29               | GENERAL TOLERANCES (UNLESS SPECIFIED)                |  | DIMENSION STYLE | SCALE     | DESIGN UNITS   | MOLEX INCORPORATED<br>SD-53780-003<br>SHEET NO. 1 OF 2 |
|   | 10 UNDER ± 0.2                                       |  | MM ONLY         | ---       | METRIC   |  |
|   | 10 OVER 30 UNDER ± 0.25                              |  | DRAWN BY        | DATE      | TITLE  |  |
|   | 30 OVER ± 0.3  |  | T. UENO         | '04/04/15 | 1.25 W/B CONN WAFER ASSY FOR SMT   |  |
| DESCRIPTION<br>REV  | ANGULAR ± 3 °  |  | CHECKED BY      | DATE      | M. SASAO '04/04/15<br>M. SASAO '04/04/15<br>MATERIAL NO.<br>SEE CHART<br>SIZE A3 | THIRD ANGLE PROJECTION                                 |
|   | DRAFT WHERE APPLICABLE MUST REMAIN WITHIN DIMENSIONS |  | APPROVED BY     | DATE      |  |  |
|   |  |  | M. SASAO        | '04/04/15 |  |  |
|   |  |  | DOCUMENT NO.    |           |  |  |
| THIS DRAWING CONTAINS INFORMATION THAT IS PROPRIETARY TO MOLEX INCORPORATED AND SHOULD NOT BE USED WITHOUT WRITTEN PERMISSION |  |  |                 |           |  |  |



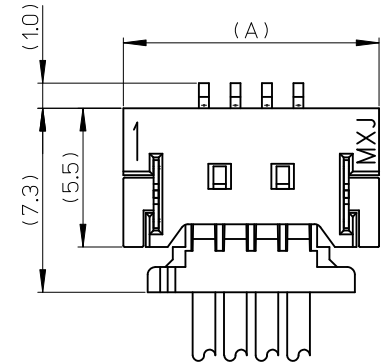
7~19極の奇数極に適用  
 APPLY FOR ODD CIRCUITS OF 7~19



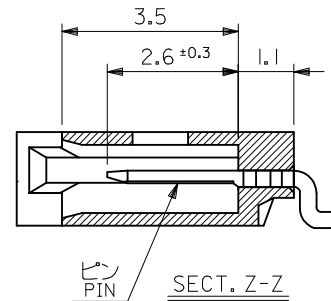
8~30 極の偶数極に適用  
 APPLY FOR EVEN CIRCUITS OF 8~30



ロック形状図  
 LOCK CONFIGURATION



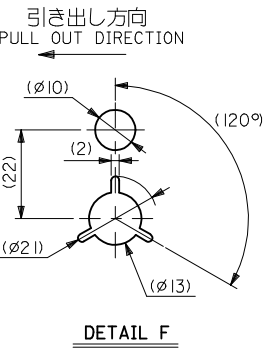
嵌合図 (SCALE 5:1)  
 MATED CONNECTORS (SCALE 5:1)



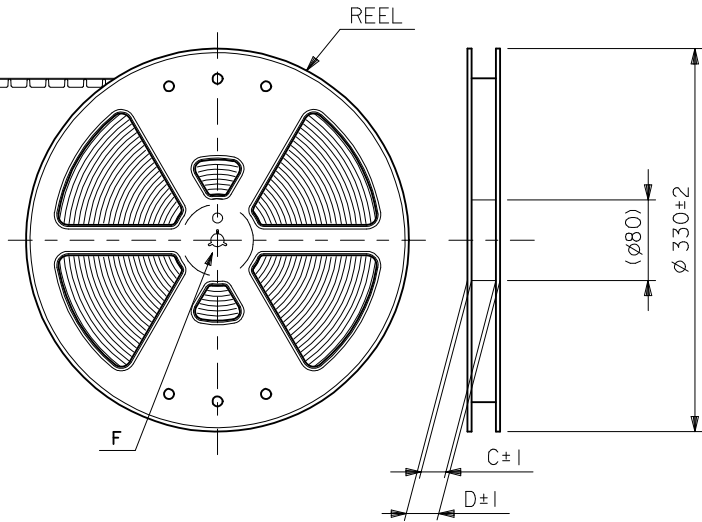
SECT. Z-Z

CONNECTOR SERIES NO. 53780-\*\*19

|  |                                       |               |   |                   |   |                              |
|--|---------------------------------------|---------------|---|-------------------|---|------------------------------|
| REVISED<br>EC NO.: J2010-1927<br>DRWN:SKUROSE 2010/03/25<br>CHKD:KASAKAWA 2010/03/26<br>APPR:NUKITA 2010/03/29 | GENERAL TOLERANCES (UNLESS SPECIFIED) |               | DIMENSION STYLE<br>MM ONLY  | SCALE<br>---      | DESIGN UNITS<br>METRIC                    | THIRD ANGLE PROJECTION       |
|  | 10 UNDER                              | ± 0.2         | DRAWN BY<br>T. UENO   | DATE<br>'04/04/15 | TITLE<br>1.25 W/B CONN WAFER ASSY FOR SMT |                              |
|  | 10 OVER 30 UNDER                      | ± 0.25        | CHECKED BY<br>M. SASAO  | DATE<br>'04/04/15 | MOLEX INCORPORATED                        |                              |
|  | 30 OVER                               | ± 0.3         | APPROVED BY<br>M. SASAO   | DATE<br>'04/04/15 | MATERIAL NO.<br>SEE CHART                 | DOCUMENT NO.<br>SD-53780-003 |
| REV  | DESCRIPTION                           | ANGULAR ± 3 ° | THIS DRAWING CONTAINS INFORMATION THAT IS PROPRIETARY TO MOLEX INCORPORATED AND SHOULD NOT BE USED WITHOUT WRITTEN PERMISSION |                   |   |                              |
| DRAFT WHERE APPLICABLE MUST REMAIN WITHIN DIMENSIONS   |                                       |               |   |                   |   |                              |

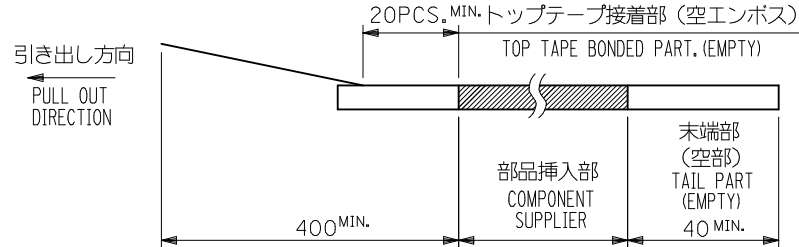


DETAIL F

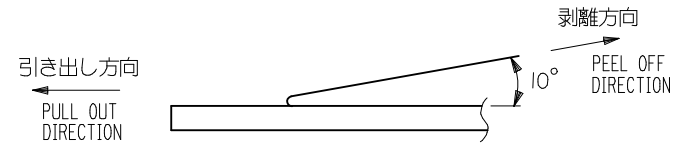


NOTES

- 梱包数量：1500個/リール  
NUMBER OF CONNECTORS : 1500PCS/REEL
- リードテープ長さ LEAD TAPE LENGTH



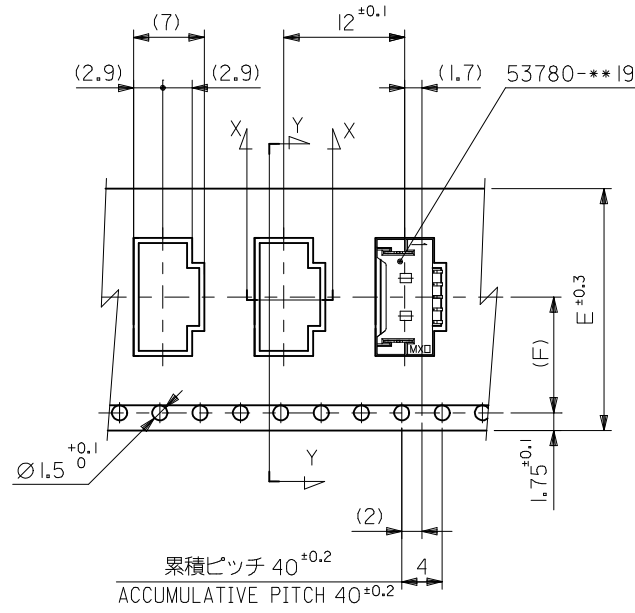
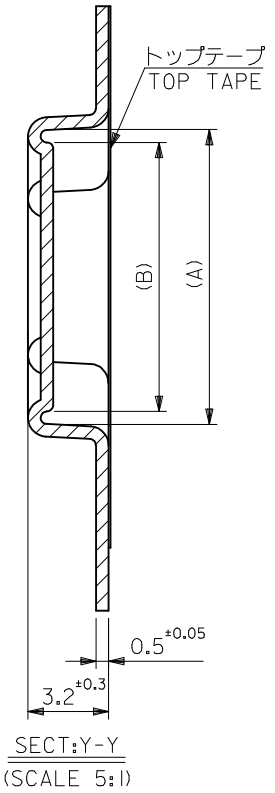
- トップテープの剥離強度：0.1N ~ 1.3N (10gf ~ 130gf)  
(剥離方向は下図参照)  
尚、本規格値は出荷時に適用。(但し、輸送時に剥離が発生しないこと。)  
PEELING OFF FORCE OF TOP TAPE : 0.1N ~ 1.3N (10gf ~ 130gf)  
(PEELING DIRECTION AS SHOWN IN FOLLOWING FIG.)  
THIS REQUIREMENT SHOULD BE APPLIED AT SHIPMENT.  
PEEL OFF SHOULD NOT BE ALLOWED, DURING TRANSPORTATION.



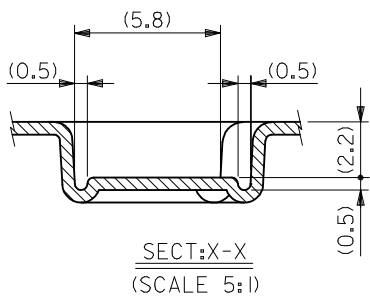
- 材料 (MATERIAL)  
キャリアテープ (CARRIER TAPE) : ポリプロピレン (POLYPROPYLENE)  
トップテープ (TOP TAPE) : PET, PE, PEF  
リール (REEL) : ポリスチレン (PS) <リサイクル材を含む>  
POLYSTYRENE (PS) <RECYCLE MATERIAL CONTAINED>
- 本製品は 53780-\*\*-90/-\*\*-80 の鉛フリー品である。  
THIS PRODUCT IS LEAD FREE OF 53780-\*\*-90/-\*\*-80.
- ELV及びRoHS適合品  
ELV & RoHS COMPLIANT

MODEL NO. 53780-\*\*-70

|   |  |   |                            |                   |   |                              |                        |
|---|--|---|----------------------------|-------------------|---|------------------------------|------------------------|
| REVISED<br>EC NO: J2010-0021<br>DRWN:MTAKASAKI 2009/07/07<br>CHKD:MHAYASHI 2009/07/08<br>APPR:NUKITA 2009/07/08 | GENERAL TOLERANCES (UNLESS SPECIFIED)                |   | DIMENSION STYLE<br>MM ONLY |                   | SCALE<br>---  | DESIGN UNITS<br>METRIC       | THIRD ANGLE PROJECTION |
|   | 10 UNDER   | ±0.2  | DRAWN BY<br>T. UENO        | DATE<br>'04/04/15 | TITLE<br>1.25 W/B WAFER ASSY<br>EMBOSSED TAPE PACKAGE |                              |                        |
|   | 10 OVER 30 UNDER                                     | ±0.25   | CHECKED BY<br>M. SASAO     | DATE<br>'04/04/15 | MOLEX INCORPORATED                                    |                              |                        |
|   | 30 OVER  | ±0.3  | APPROVED BY<br>M. SASAO    | DATE<br>'04/04/15 | MATERIAL NO.<br>SEE CHART                             | DOCUMENT NO.<br>SD-53780-004 | SHEET NO.<br>1 OF 3    |
| DESCRIPTION   | ANGULAR ±3 °   | THIS DRAWING CONTAINS INFORMATION THAT IS PROPRIETARY TO MOLEX INCORPORATED AND SHOULD NOT BE USED WITHOUT WRITTEN PERMISSION |                            |                   |   |                              |                        |
| REV   | DRAFT WHERE APPLICABLE MUST REMAIN WITHIN DIMENSIONS |   |                            |                   |   |                              |                        |

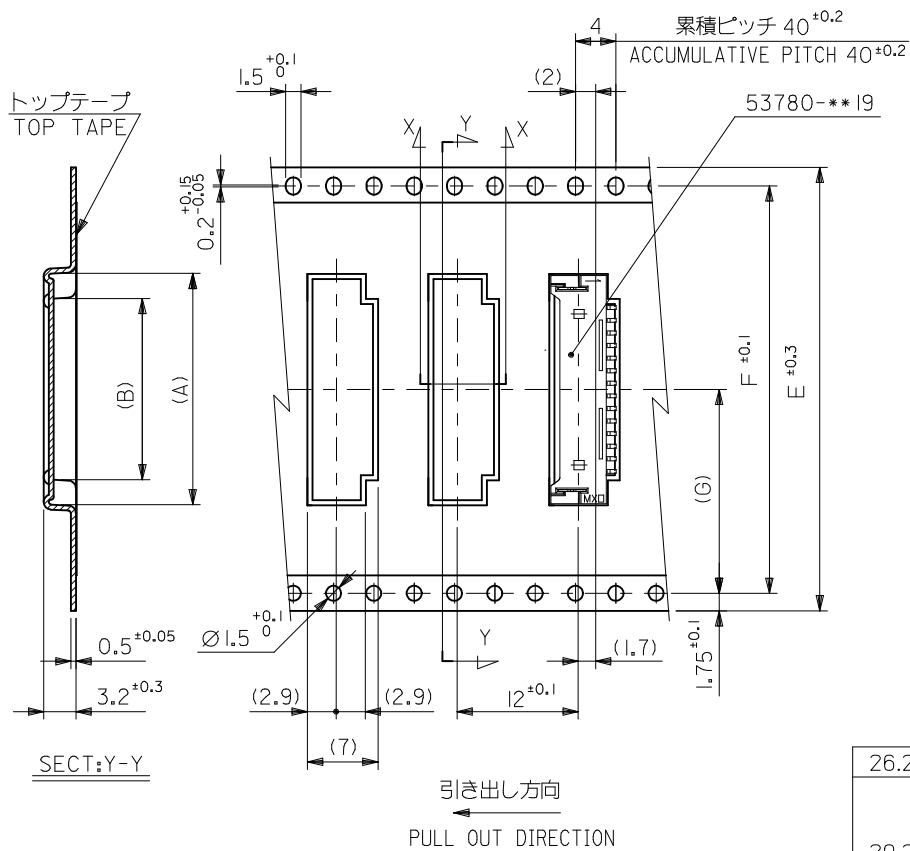


引き出し方向  
PULL OUT DIRECTION



|           |                                     |      |      |       |       |              |            |
|-----------|-------------------------------------|------|------|-------|-------|--------------|------------|
| 11.5      | 24                                  | 29.4 | 25.4 | 11.75 | 16.7  | 53780-0970   | 9          |
|           |                                     |      |      | 10.5  | 15.45 | 53780-0870   | 8          |
|           |                                     |      |      | 9.25  | 14.2  | 53780-0770   | 7          |
|           |                                     |      |      | 8     | 12.95 | 53780-0670   | 6          |
|           |                                     |      |      | 6.75  | 11.7  | 53780-0570   | 5          |
| 7.5       | 16                                  | 21.4 | 17.4 | 4.25  | 9.2   | 53780-0370   | 3          |
|           |                                     |      |      | 3     | 7.95  | 53780-0270   | 2          |
| (F)       | E<br>キャリアテープ幅<br>CARRIER TAPE WIDTH | D    | C    | (B)   | (A)   | MATERIAL NO. | 種数<br>CKT. |
| MODEL NO. |                                     |      |      |       |       | 53780-***70  |            |

|  |             |  |       |  |                   |   |                              |                     |                           |  |  |
|--|-------------|--|-------|--|-------------------|---|------------------------------|---------------------|---------------------------|--|--|
| REVISED<br>EC NO: J2010-0021<br>DRWN: TAKASAKI 2009/07/07<br>CHKD: HAYASHI 2009/07/08<br>APPR: NUKITA 2009/07/08 | DESCRIPTION | GENERAL TOLERANCES (UNLESS SPECIFIED)  |       | DIMENSION STYLE<br>MM ONLY                                 |                   | SCALE<br>---  | DESIGN UNITS<br>METRIC       |                     | THIRD ANGLE<br>PROJECTION |  |  |
|  |             | 10 UNDER   | ±0.2  | DRAWN BY<br>T. UENO  | DATE<br>'04/04/15 | TITLE<br>1.25 W/B WAFER ASSY<br>EMBOSSED TAPE PACKAGE |                              |                     |                           |  |  |
|  |             | 10 OVER 30 UNDER   | ±0.25 | CHECKED BY<br>M. SASAO                                     | DATE<br>'04/04/15 | MOLEX INCORPORATED                                    |                              |                     |                           |  |  |
|  |             | 30 OVER  | ±0.3  | APPROVED BY<br>M. SASAO                                    | DATE<br>'04/04/15 |   |                              |                     |                           |  |  |
|  |             | ANGULAR ±3 °   |       | DRAFT WHERE APPLICABLE<br>MUST REMAIN<br>WITHIN DIMENSIONS |                   | MATERIAL NO.<br>SEE CHART                             | DOCUMENT NO.<br>SD-53780-004 | SHEET NO.<br>2 OF 3 |                           |  |  |
| SIZE<br>A3   |             | THIS DRAWING CONTAINS INFORMATION THAT IS PROPRIETARY TO MOLEX<br>INCORPORATED AND SHOULD NOT BE USED WITHOUT WRITTEN PERMISSION |       |  |                   |   |                              |                     |                           |  |  |



|      |      |                                     |      |      |       |       |              |            |
|------|------|-------------------------------------|------|------|-------|-------|--------------|------------|
| 26.2 | 52.4 | 56                                  | 61.4 | 57.4 | 38    | 42.95 | 53780-3070   | 30         |
| 20.2 | 40.4 | 44                                  | 49.4 | 45.4 | 25.5  | 30.45 | 53780-2070   | 20         |
|      |      |                                     |      |      | 25.5  | 27.95 | 53780-1870   | 18         |
|      |      |                                     |      |      | 19.25 | 24.2  | 53780-1570   | 15         |
|      |      |                                     |      |      | 18    | 22.95 | 53780-1470   | 14         |
| 14.2 | 28.4 | 32                                  | 37.4 | 33.4 | 15.5  | 20.45 | 53780-1270   | 12         |
|      |      |                                     |      |      | 13    | 17.95 | 53780-1070   | 10         |
| (G)  | F    | E<br>キャリアテープ幅<br>CARRIER TAPE WIDTH | D    | C    | (B)   | (A)   | MATERIAL NO. | 極数<br>CKT. |

|   |                                       |              |                            |   |                   |           |                          |  |
|---|---------------------------------------|--------------|----------------------------|---|-------------------|-----------|--------------------------|--|
| REVISED<br>EC NO: J2010-0021<br>DRWN:MTAKASAKI 2009/07/07<br>CHKD:MHAYASHI 2009/07/08<br>APPR:NUKITA 2009/07/08 | GENERAL TOLERANCES (UNLESS SPECIFIED) |              | DIMENSION STYLE<br>MM ONLY |   | SCALE<br>---      |           | MODEL NO.<br>53780-***70 |  |
|   | 10 UNDER ±0.2                         |              | DRAWN BY<br>T.UENO         |   | DATE<br>'04/04/15 |           | DESIGN UNITS<br>METRIC   |  |
|   | 10 OVER 30 UNDER ±0.25                |              | CHECKED BY<br>M.SASAO      |   | DATE<br>'04/04/15 |           | THIRD ANGLE PROJECTION   |  |
|   | 30 OVER ±0.3                          |              | APPROVED BY<br>M.SASAO     |   | DATE<br>'04/04/15 |           | MOLEX INCORPORATED       |  |
| ANGULAR ±3 °  |                                       | MATERIAL NO. |                            | DOCUMENT NO.  |                   | SHEET NO. |                          |  |
| DRAFT WHERE APPLICABLE MUST REMAIN WITHIN DIMENSIONS  |                                       | SEE CHART    |                            | SD-53780-004  |                   | 3 OF 3    |                          |  |
|   |                                       | SIZE<br>A3   |                            | THIS DRAWING CONTAINS INFORMATION THAT IS PROPRIETARY TO MOLEX INCORPORATED AND SHOULD NOT BE USED WITHOUT WRITTEN PERMISSION |                   |           |                          |  |