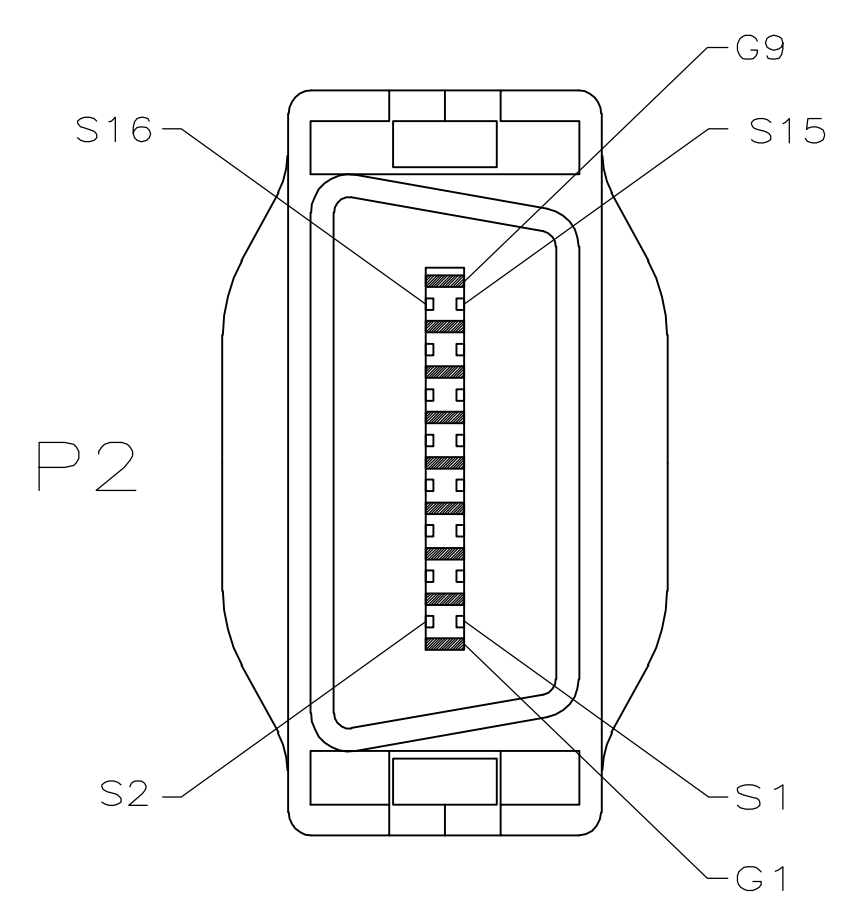
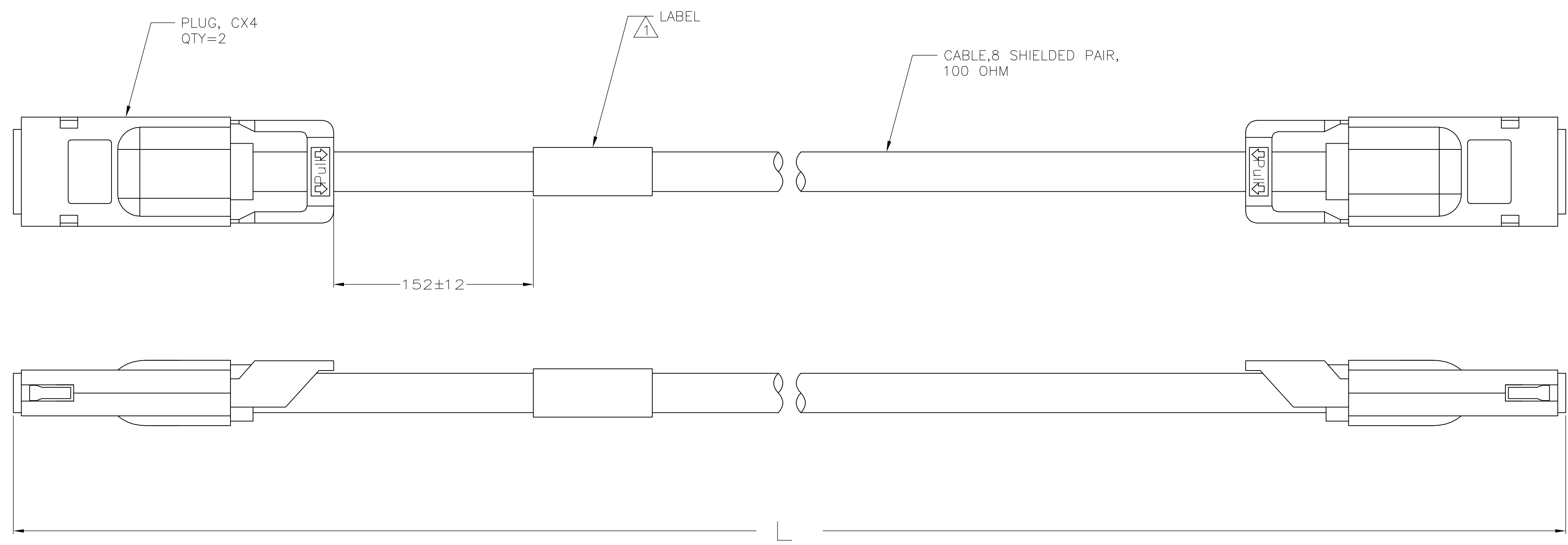
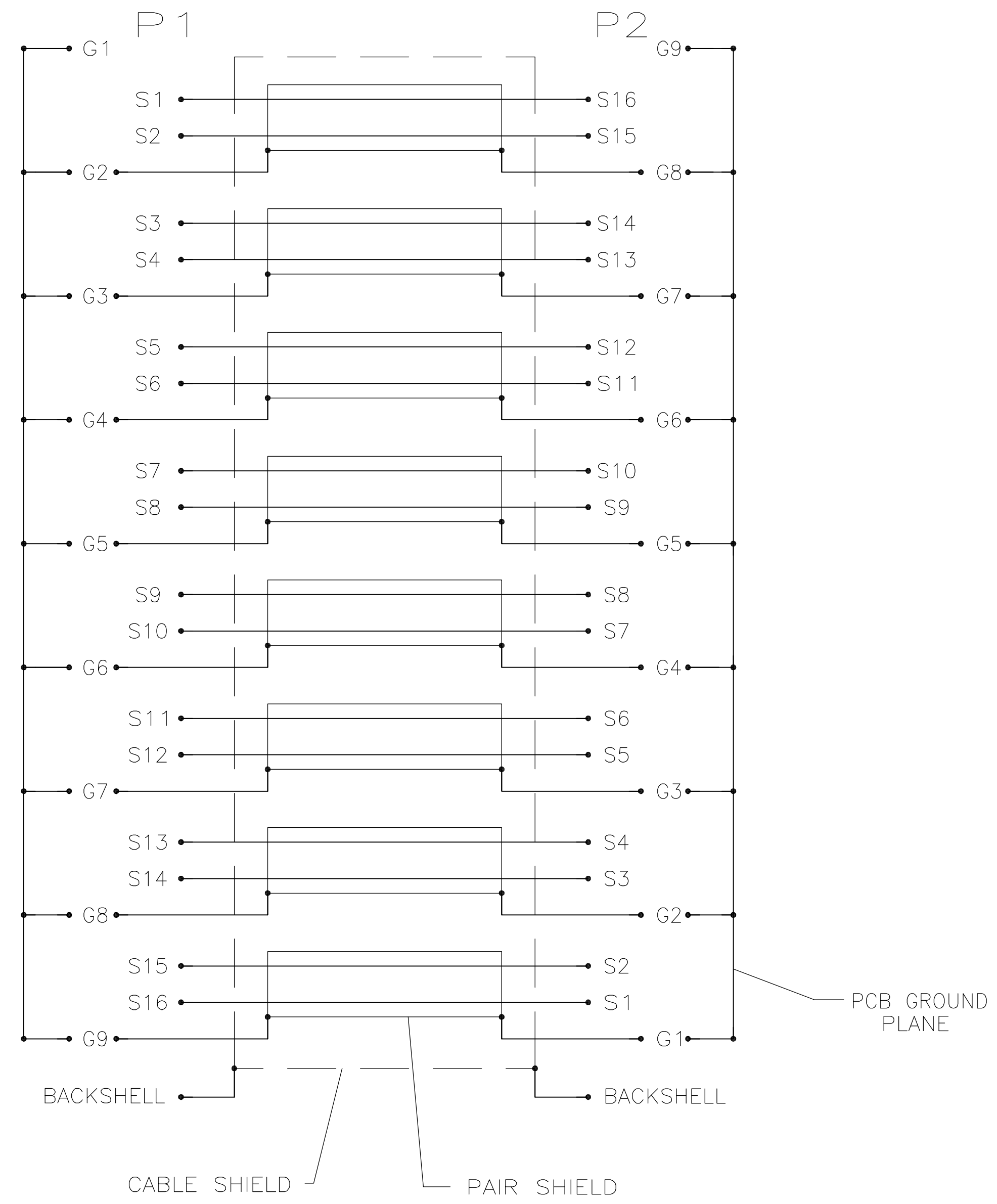


SCALE 4:1



SCALE 4:1



**△ LABEL INFORMATION:**

TYCO	DATE CODE
TYCO PART NUMBER	COUNTRY OF ORIGIN
CX4 3.125 Gbps	
YYWW	
MADE IN _____	

2. PRODUCT AND PROCESSING MEETS REQUIREMENTS OF TYCO SPECIFICATION 230-702.

20M±0.1M	1-6751546-5
15M±0.1M	1-6751546-4
12M±0.1M	1-6751546-3
10M±0.1M	1-6751546-2
10M±0.1M	1-6751546-1
9M±0.1M	1-6751546-0
8M±0.1M	6751546-9
7M±0.07M	6751546-8
6M±0.07M	6751546-7
5M±0.07M	6751546-6
4M±0.07M	6751546-5
3M±0.07M	6751546-4
2M±0.07M	6751546-3
1M±0.04M	6751546-2
0.5M±0.04M	6751546-1
L	PART NO

THIS DRAWING IS A CONTROLLED DOCUMENT.		DWN	T.SMITH	03MAY06	<b>tyco</b> Electronics	Tyco Electronics Corporation Harrisburg, PA 17105-3608	
DIMENSIONS: mm		CHK	D.DUPLER	03MAY06		NAME	
TOLERANCES UNLESS OTHERWISE SPECIFIED:		APVD		D.DUPLER	CABLE ASSY,CX4 TO CX4		
0 PLC ± -		PRODUCT SPEC		APPLICATION SPEC			
1 PLC ± -		SIZE		A1	CAGE CODE DRAWING NO		
2 PLC ± -		WEIGHT		00779 6751546			
3 PLC ± -		CUSTOMER DRAWING		SCALE - SHEET 1 OF 1 REV A			
4 PLC ± -		RESTRICTED TO					
ANGLES		MATERIAL					
FINISH		FINISH					