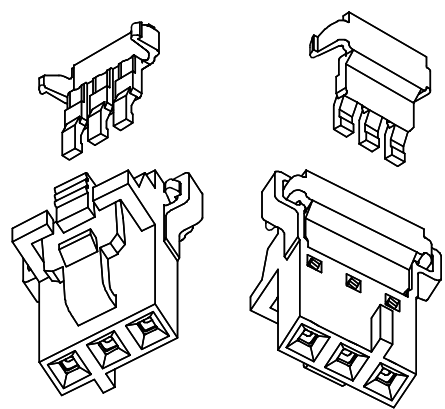


- NOTES:  
 1) TERMINAL POSITION ASSURANCE (TPA) FOR USE WITH SL HOUSING, "N" OPTION, SERIES #70066 AND TERMINAL SERIES NUMBERS 70058 AND 71851.  
 2) MATERIAL : GLASS FILLED POLYESTER, COLOR NATURAL, (WHITE) 94V-0,  
 3) COMPONENTS SOLD SEPERATELY, NOT IN KIT FORM.  
 4) THIS PRODUCT TO CONFORM TO MOLEX PRODUCT SPEC. PS-73838-999.  
 5) MAXIMUM DIAMETER WIRE FOR THIS APPLICATION .064/1.62.  
 6) PACKAGING PER PK-70873-0540.



TPA SHOWN ASSEMBLED TO 70066 HOUSING FOR REFERENCE ONLY

ITEM NUMBER	CKT SIZE	STATUS	DIM "A" ±.010/0.25	DIM "B" ±.010/0.25	DIM "C" ±.010/0.25	DIM "D" ±.010/0.25
73838-0002	2	TOOLED	.259/6.58	.100/2.54	.202/5.13	.166/4.22
73838-0003	3	TOOLED	.359/9.12	.200/5.08	.302/7.67	.266/6.76
73838-0004	4	TOOLED	.459/11.66	.300/7.62	.402/10.21	.366/9.30
73838-0005	5	TOOLED	.559/14.20	.400/10.16	.502/12.75	.466/11.84
73838-0006	6	TOOLED	.659/16.74	.500/12.70	.602/15.29	.566/14.38
73838-0007	7	TOOLED	.759/19.28	.600/15.24	.702/17.83	.666/16.92
73838-0008	8	TOOLED	.859/21.82	.700/17.78	.802/20.37	.766/19.46

MODIFY LEG TIPS EC NO: UCP2006-0223 DRAWNBARKER 2005/08/30 CHKD:HSMART 2005/09/06 APPR:SMILLER 2005/09/06 REVISION DESCRIPTION	QUALITY SYMBOLS	GENERAL TOLERANCES (UNLESS SPECIFIED)	DIMENSION STYLE	SCALE	DESIGN UNITS	THIRD ANGLE PROJECTION
	$\nabla = 0$ $\nabla = 0$	mm INCH 4 PLACES ± --- ± --- 3 PLACES ± --- ±.010 2 PLACES ± 0.25 ±.015 1 PLACE ± 0.38 ± --- ANGULAR ±1/2°	IN/MM DRAWN BY DATE RE ISDORF 98/12/15 CHECKED BY DATE RE ISDORF 98/12/15 APPROVED BY DATE BRINKMAN 98/12/15 MATERIAL NO. DOCUMENT NO.	5:1	INCH	
	DRAFT WHERE APPLICABLE MUST REMAIN WITHIN DIMENSIONS	SEE CHART SIZE C	THIS DRAWING CONTAINS INFORMATION THAT IS PROPRIETARY TO MOLEX INCORPORATED AND SHOULD NOT BE USED WITHOUT WRITTEN PERMISSION	TITLE TERMINAL POSITION ASSURANCE FOR SL CRIMP HOUSING, SALES DRAWING MOLEX MOLEX INCORPORATED SD-73838-004	SHEET NO. 1 OF 1	