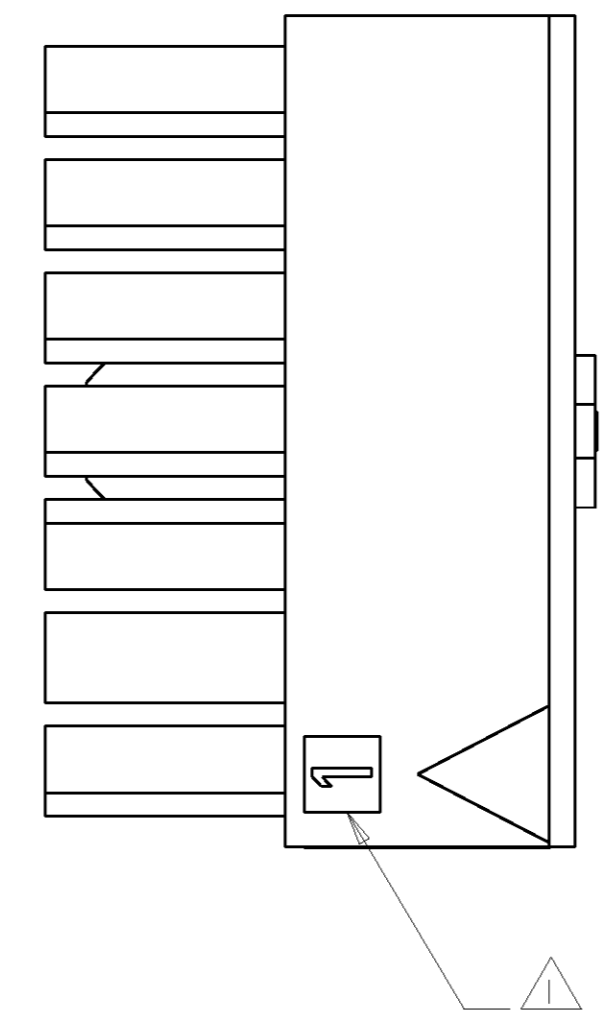
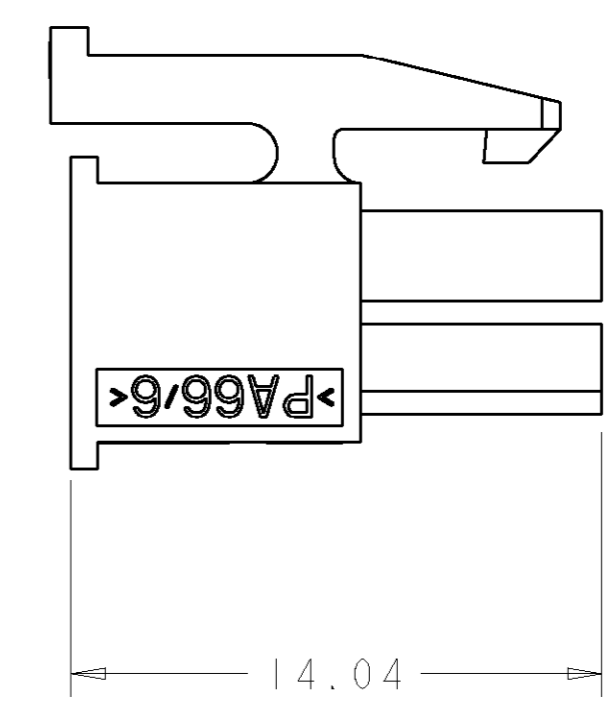
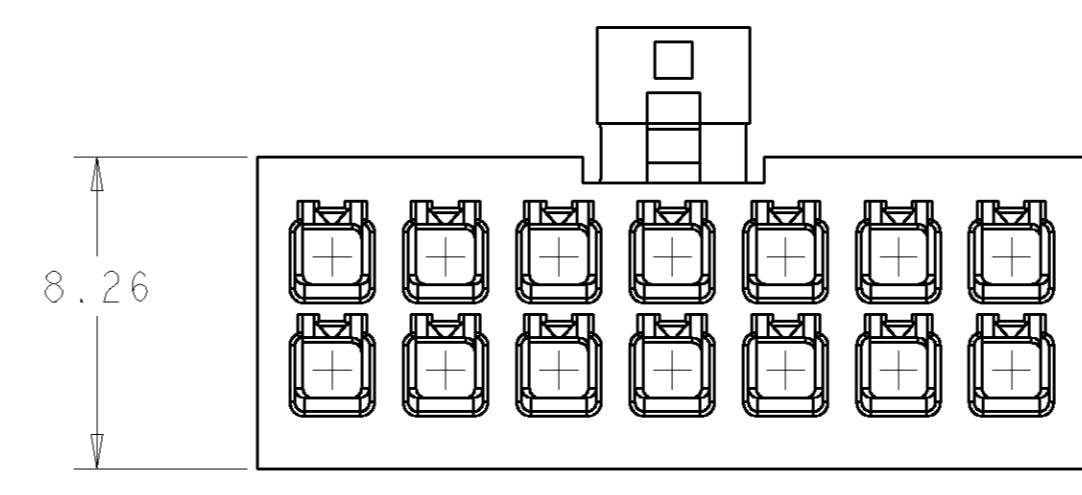
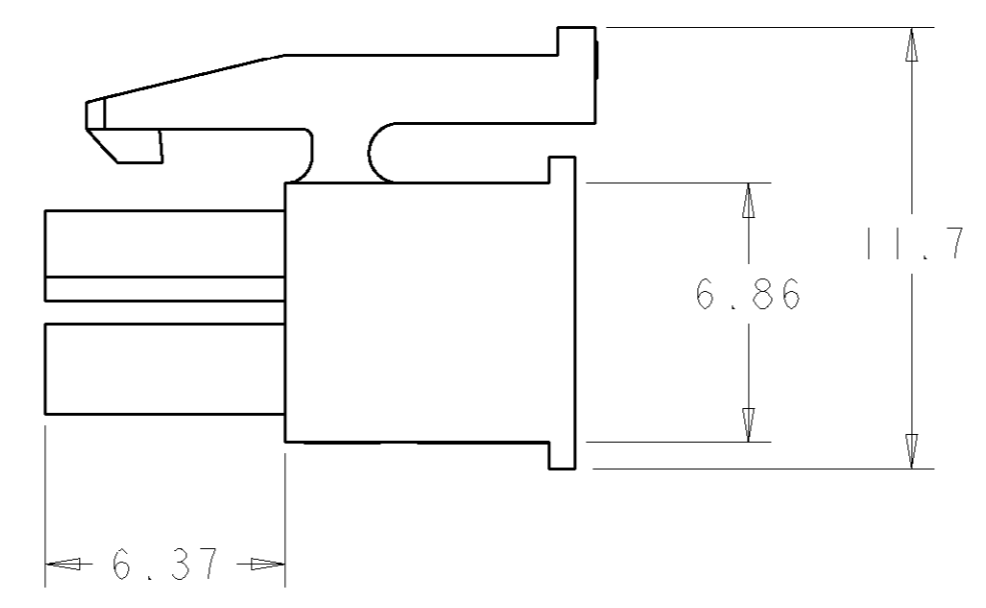
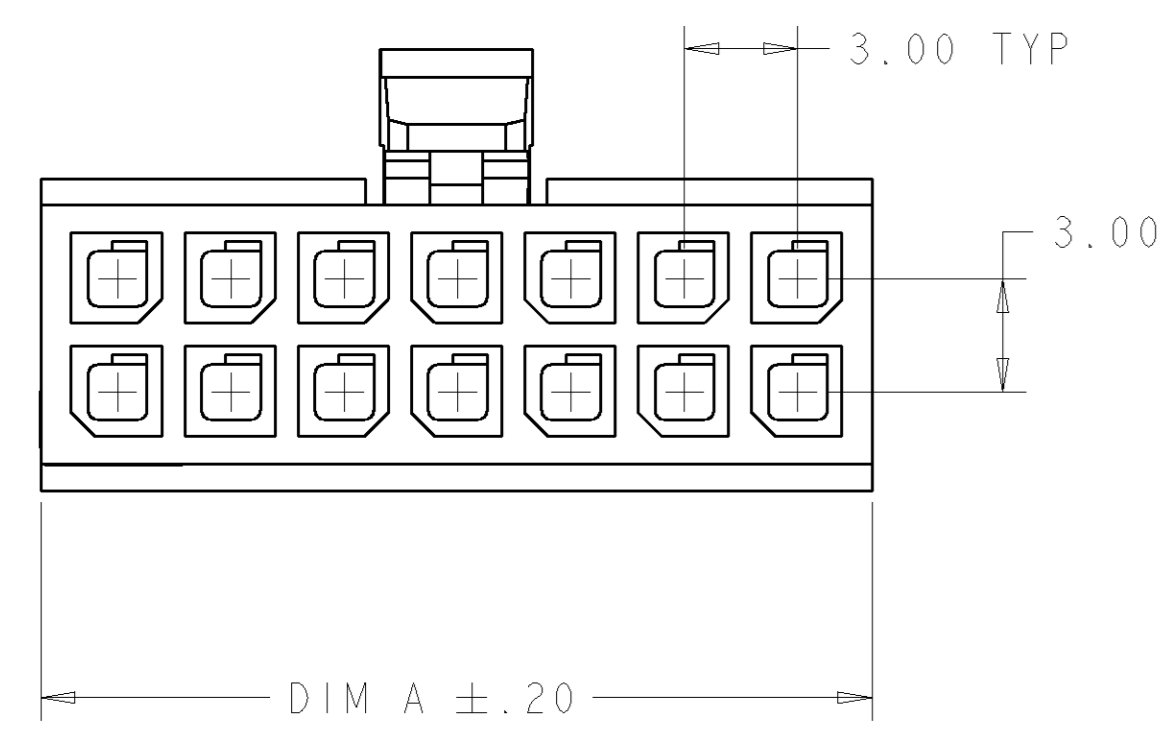
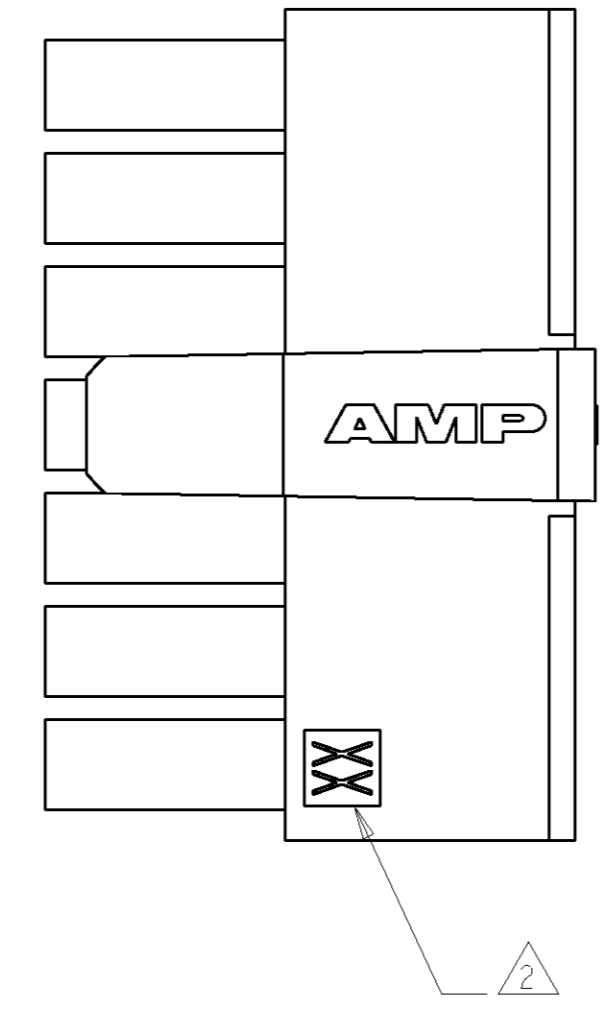
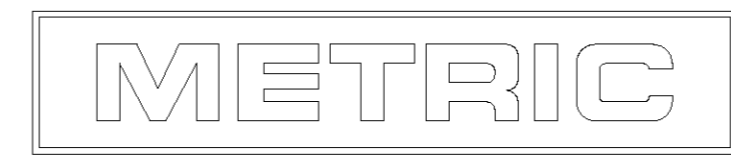


LOC		DIST		REVISIONS			
CM	53	P.	LTR	DESCRIPTION	DATE	DWN	APVD
		E		REVISED PER EC 063B-0530-02	01-MAY-03	RW	CJ

△1 CIRCUIT 1 IDENTIFIER, LOCATED APPROXIMATELY AS SHOWN.  
 △2 LAST CIRCUIT IDENTIFIER, LOCATED APPROXIMATELY AS SHOWN.



DIM A	NO. OF POS.	PART NUMBER
37.00	24	2-794617-4
34.00	22	2-794617-2
31.00	20	2-794617-0
28.00	18	1-794617-8
25.00	16	1-794617-6
22.00	14	1-794617-4
19.00	12	1-794617-2
16.00	10	1-794617-0
13.00	8	794617-8
10.00	6	794617-6
7.00	4	794617-4
4.00	2	794617-2



DIMENSIONS: mm TOLERANCES UNLESS OTHERWISE SPECIFIED: 0 PLC ± 1 PLC ±0.13 2 PLC ± 3 PLC ± 4 PLC ± ANGLES ±0.30° MATERIAL NYLON, UL94V-0 BLACK FINISH -		DWN R. WHITAKER 14-OCT-1999 CHK K. COBLE 14-OCT-1999 APVD K. COBLE 14-OCT-1999 PRODUCT SPEC - APPLICATION SPEC - WEIGHT - CUSTOMER DRAWING		AMP Incorporated Harrisburg, PA 17105-3608 NAME RECEPTACLE HOUSING, 2 TO 24 POSITION, DUAL ROW, MICRO MATE-N-LOK™ SIZE CAGE CODE DRAWING NO. RESTRICTED TO A1 00779 C-794617 - SCALE 5:1 SHEET 1 OF 1 REV E	
---	--	--	--	--	--