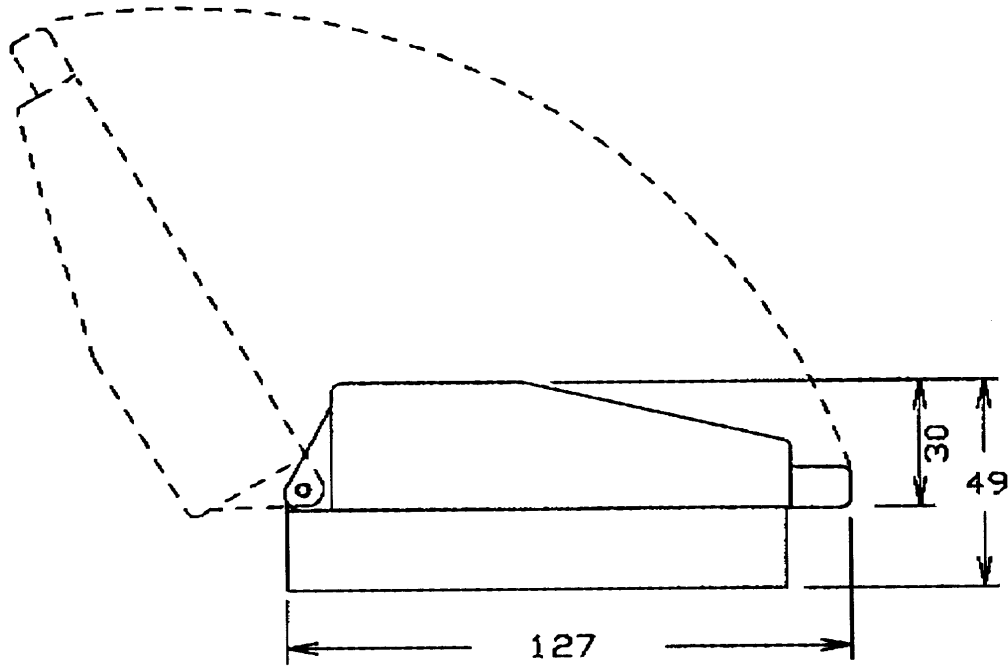


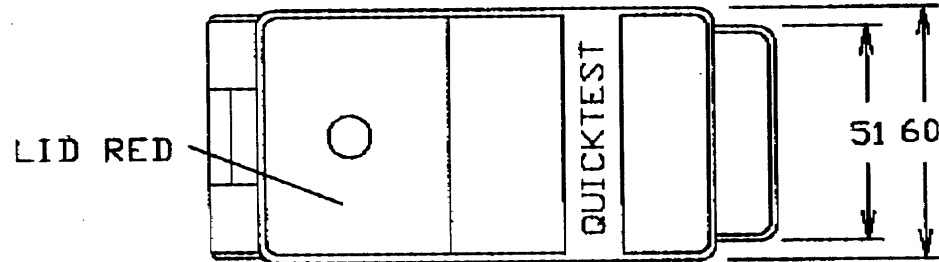
CLIFF

ISS.	AMEND	DATE
1.	1ST DRAWN	28/10/91
2.	FARNELL VERSION ADDED	8/1/96

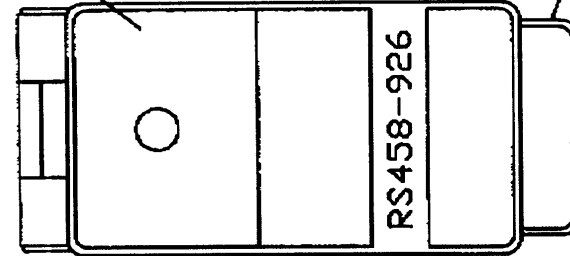


VARIANTS

RS VERSION CL 1854
FARNELL VERSION CL 18545
(WITH LABEL ON CARTON #658.716)



LID BLACK BASE PLATE MARKED
13A 240VAC



TOLERANCE	
NO DEC. PLACE	±
1 DEC PLACE	± 0.2
2 DEC PLACE	±
DIA OF HOLES	±
ANGLES	±
UNLESS OTHERWISE STATED	

STD VERSION

RS VERSION (RS458-926)

RATED 13A. 240VAC.

WHERE USED F.R.

SCALE N.T.S.

DIMENSIONS IN MILLIMETRES UNLESS OTHERWISE STATED. WORK TO DIMENSIONS. DO NOT SCALE DRAWING. 3rd ANGLE PROJECTION. REMOVE BURRS.

Cliff Electronic Components Limited

76 Holmehorpe Avenue,
Holmehorpe Industrial Estate,
Redhill, Surrey, RH1 2PF, England
Tel: 01737-771375 Fax: 01737-766012

MATERIAL COMPOSITE

FINISH AS MOULDED

DRAWN C.A.M.J.

APPD. R.W.T.

TITLE **QUICKTEST**

DRWG. No.

CL 1850

FORM: **A4DRWGH**