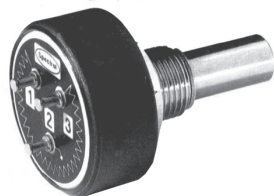




7/8" (22mm) Conductive Plastic Potentiometer



FEATURES

- 7/8" Diameter Single Turn
- Compact Size, Advanced Design Technology
- Offers a Cost Effective Solution to your Potentiometer Requirements

ELECTRICAL SPECIFICATIONS		
PARAMETER		
Resistance	Standard range, 1K Ω to 50K Ω	
Tolerance	STANDARD $\pm 15\%$	SPECIAL TO $\pm 10\%$
Linearity (Independent)	STANDARD $\pm 1.0\%$	
Output Smoothness	0.1% maximum	
TCR	$\pm 600\text{ppm}/^\circ\text{C}$ maximum	
Power Rating	1.0 watt at 70 $^\circ\text{C}$ Derate to 0 watt at 125 $^\circ\text{C}$	
Electrical Travel	340 $^\circ \pm 3^\circ$	
End Voltage	0.5% maximum	
Dielectric Withstanding Voltage	1,000V _{RMS} , 60Hz	
Insulation Resistance	1000M Ω , 500VDC	

MECHANICAL SPECIFICATIONS	
PARAMETER	
Rotation	360 $^\circ$ continuous (optional mechanical stops 340 $^\circ \pm 3^\circ$)
Bearing Type Bushing	Sleeve Bearing
Operating Torque Maximum	Starting and running 3.68mNm (0.5 oz - in)
Shaft Tolerance Maximum	
Runout	0.13mm (0.05 in)
End Play	0.25mm (0.010 in)
Radial Play	0.13mm (0.005 in)
Weight	17.5gms (0.62 oz)

ORDERING INFORMATION					
357	0	3	0 P 22	XXX	
MODEL	FEATURES	RT & INDEPENDENT LINEARITY	SHAFT TYPE	STANDARD VALUES Ω	
	0 Non turn pin & continuous rotation	1 = 15% Rt Tol., 1% 3 = 10% Rt Tol., 1%	Shaft diameter - 0 = 6.0 mm or 1 = 6.35 (1/4")	RES CODE	VALUE
	1 No non turn pin & continuous rotation		Shaft type - P = plain S = slotted FMF (from Mounting face)	102	1K
	2 Non turn pin, with stops on rotation		Range from 12mm to 75mm in 1mm increments	202	2K
	3 No non turn pin with stops on rotation			502	5K
				103	10K
				203	20K
				503	50K

Example: **357 - 0 - 1 - 0P22 - XXX**

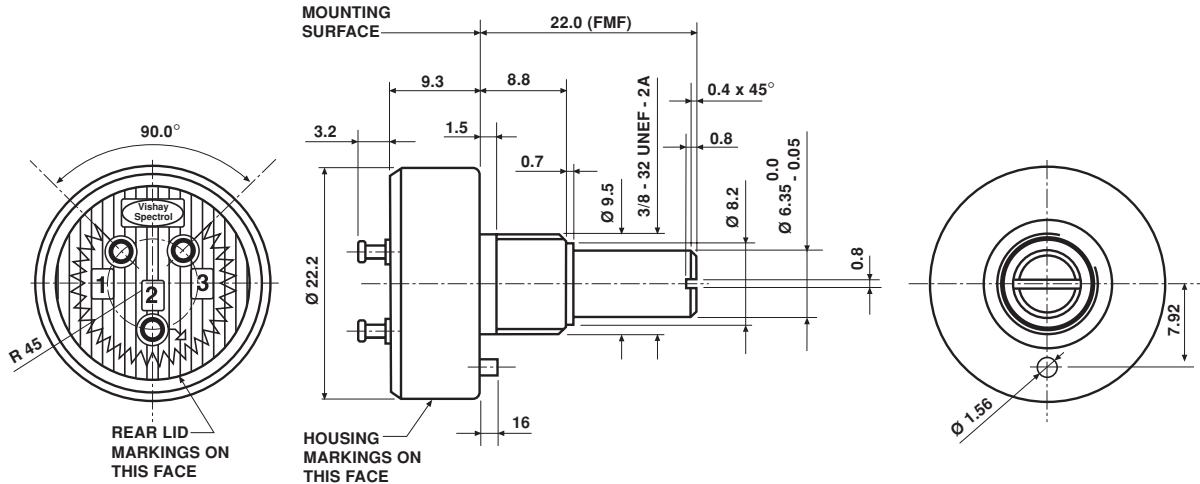
Model 357 - Blue

Vishay Spectrol 7/8" (22mm) Conductive Plastic Potentiometer

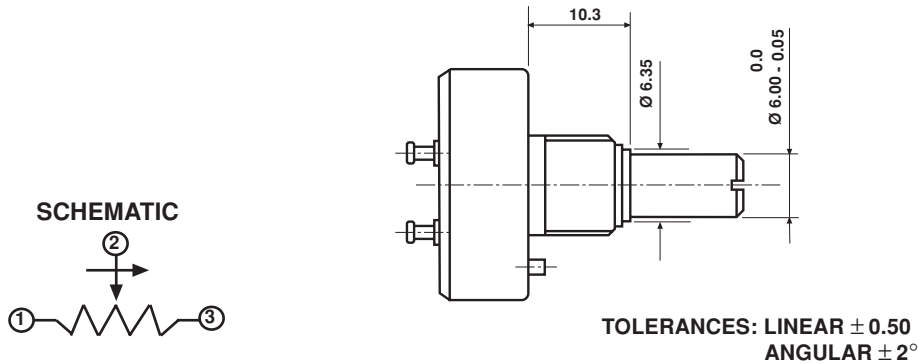


DIMENSIONS in millimeters

Ø 6.35mm SHAFT VERSION



Ø 6.0mm SHAFT VARIATION



ENVIRONMENTAL SPECIFICATIONS	
Vibration	15g, 10 to 2,000Hz
Shock	50g
Load Life	1000 hours
Temperature Range	- 55°C to + 125 °C
Rotational Life (Mechanical)	10,000,000 Shaft Revolutions
Rotational Life (Electrical)	2,000,000 Shaft Revolutions
Materials:	
Housing:	Thermoplastic Housing
Bushing:	Brass, nickel plated
Rear Lid:	Alumina
Shaft:	Stainless steel
Terminals:	Turret type, solder plated
Bushing Mount Hardware	
Lockwasher Internal Tooth:	Steel, nickel plated
Panel Nut:	Brass, nickel plated

MARKING	
Unit Identification	Manufacturer's name and model number, resistance value and tolerance, linearity specification date code and terminal identification

RESISTANCE VALUES	
Ohms	1K, 2K, 5K, 10K, 20K, 50K