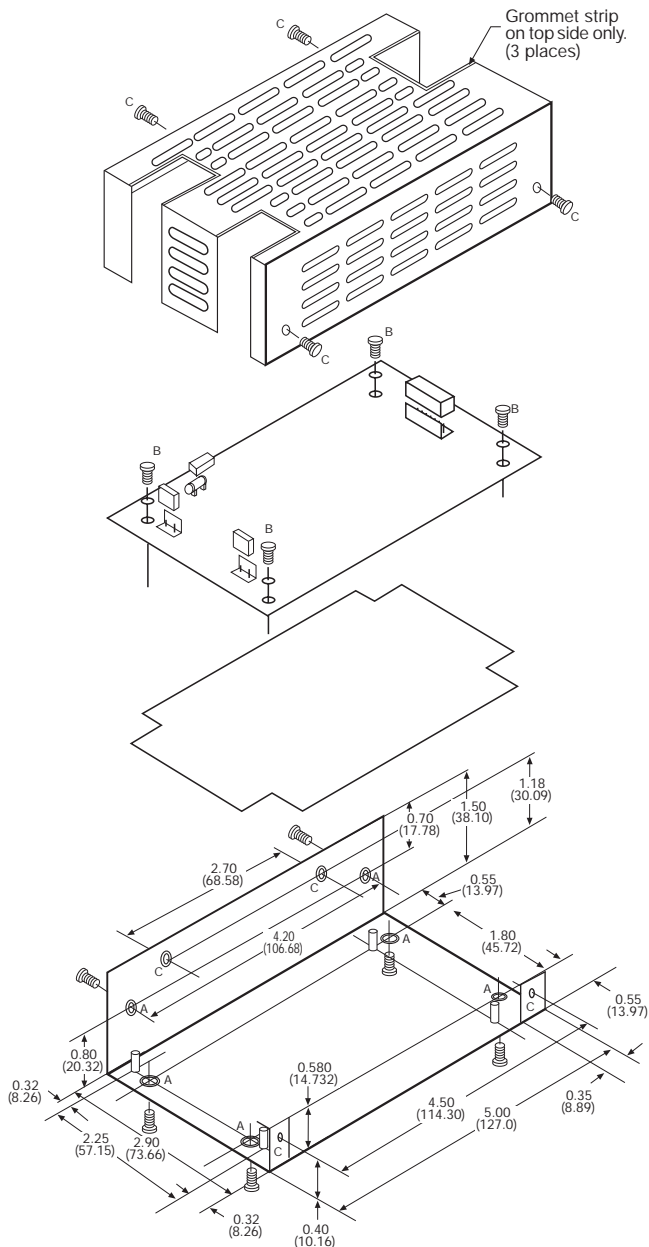


NLP40 Series

Cover, connector and mounting kit

- L-bracket and slotted cover
- Assembly instructions
- Mounting screws
- Crimp terminals
- Mating connectors

MECHANICAL SPECIFICATIONS



MODEL NUMBER: NLP40 COVER KIT

L-BRACKET outside dimensions: 127 x 73.66 x 38.1mm
COVER outside dimensions: 127 x 72.87 x 37.29mm
See cover kit assembly notes

Note: When a cover or other sheetmetal option is added by a person or persons outside the factory, it is the user's responsibility to ensure that the requirements of the relevant safety agency, or agencies, are complied with.

Cover Kit Assembly Notes

- 1 Before assembly, ensure unit has been turned off for at least 10 minutes.
- 2 Cover fuse with fuse cover.
- 3 Maximum screw penetration into customer mounting holes is 3mm.
- 4 "A" denotes customer mounting holes (4-40 thread). There are two sets of customer mounting holes: Four M3.0 holes for horizontal mounting Two M3.0 holes for vertical mounting
- 5 "B" denotes PCB fixing screws (Pan head Philips 4-40 x 0.25 inches length [x4]).
- 6 "C" denotes case assembly points and screws (Pan head Philips 4-40 x 0.25 inches length [x10]). All case assembly points feature threaded inserts on the undersides (Pan head Philips 4-40 x 0.25 inches length [x10]).
- 7 Cover cable exit area with grommet strip provided (optional).
- 8 Ensure all parts are free of foreign materials.
- 9 Ensure that the insulator is correctly fitted in the base under the PCB to maintain safety creepage and clearance.