

Stainless steel enclosures IP66 *Features and benefits*

Features:

- IP66 certified
- Grades 304, 304L and 316L available
- Monobloc symmetrical enclosure
- Scotch Brite mechanical polished finish
- Wide range of accessories shared with Spacial 3D (steel wall) and Thalassa (GRP wall) ranges
- Canopies available for additional protection
- Door reversible by inverting enclosure
- Multiple equipment mounting options – galvanised plain chassis, perforated chassis, DIN chassis and inner doors
- Smooth sides to reduce effect of dirt build up
- Vertical door rails for equipment mounting
- 3mm double bar chromed zamack lock
- UL-50 approval



Dimensions	Enclosure	Plate
300x200x150	54915	55715
300x300x150	54902	55702
400x300x150	54917	55712
400x300x200	54918	55712
400x400x200	54919	55719
500x400x200	54923	55723
600x400x200	54926	55726
600x600x250	54929	55729
700x500x250	54935	55735
800x600x250	54956	55756
800x800x300	54946	55745
1000x800x300	54961	55760
1200x800x300	54964	55764

Benefits:

- High resistance to corrosion
- Reduced likelihood of dirt build up
- IP66 ensured with the use of a canopy
- Choice of equipment mounting options can provide the simplest solution
- Enclosure can be mounted with door hinged right or left to suit available space



Spacial stainless steel enclosure

presentation

These enclosures are particularly intended for industrial sectors where cleanliness, hygiene and resistance to corrosion are of paramount importance, such as in the chemical, petroleum and food and agriculture industries.

technical characteristics

- Degree of protection IP 66 conforming to EN 60 529.
- Resistance to external mechanical impact: IK 10 conforming to EN 50 102.
- Standard door closure by 3 mm double bar lock (chromed zamack or epoxy black).
- Totally symmetrical enclosure. Reversal of door opening direction by simple inversion of the enclosure.
- Equipotential connection assured by M6 x 16 screws on body and on door.
- Four holes for fixing direct to wall or by means of fixing lugs (to be ordered separately), blanked off by sealing plugs
- No perforated on body.
- UL-50 approval and Veritas Office certification.

polished/brushed stainless steel range

- Monobloc enclosures constructed of AISI304 stainless steel, thickness 1 mm to 1.5 mm.
- Scotch Brite (AST) mechanical polishing of all surfaces provides excellent resistance to corrosion.
- Polyurethane seal.
- Two perforated vertical door reinforcement profiles (on models from 600 mm height), with Ø 4.25 mm holes on 25 mm pitch.
- Door reinforcement frame for ref. 54961 and 54964, section 20 x 15 mm, with Ø 5 and 10 mm holes on 25 mm pitch.

microbeading finish stainless steel range

- Monobloc enclosures in stainless steel AISI 304L (resistant to highly corrosive organic agents) or AISI 316L (resistant to concentrated acids and halogens).
- Microbeading finish consists of high velocity bombardment of the surface to be treated with ceramic beads, closing by cold hardening all rolling microcracks and increasing the hardness of the steel.
- The main properties of this overall satin finish are to considerably reduce substance adherence and to enable disinfection or even sterilisation.
- Enclosure sheet thickness 1.5 mm, with bonded 20 x 6 neoprene seal and hinges in stainless steel 316L. Door reinforcement frame from 600 mm height, 2 and 3 closure points from 500 and 1000 mm heights respectively.



external dimensions			polished encl. ref.	micro-beaded encl. ref.	
height	width	depth	stainless steel 304	stainless steel 304L	stainless steel 316L
300	200	150	ENN54915	ENN54802	ENN54852
	300	150	ENN54902	ENN54804	ENN54854
400	300	150	ENN54917	ENN54806	ENN54856
	300	200	ENN54918	ENN54807	ENN54857
	400	200	ENN54919	ENN54808	ENN54858
500	400	200	ENN54923	ENN54810	ENN54860
600	400	200	ENN54926	ENN54812	ENN54862
	600	250	ENN54929	ENN54814	ENN54864
700	500	250	ENN54935	ENN54816	ENN54866
800	600	250	ENN54956	ENN54818	ENN54868
	800	300	ENN54946	ENN54819	ENN54869
1000	800	300	ENN54961	ENN54820	ENN54870
1200	800	300	ENN54964	ENN54822	ENN54872

Stainless steel type selection

- The types of steel used for Sarel enclosures are adapted to resist aggressive agents in the humid, saline and acid atmospheres of the food industry, both chemical and mechanical, thus minimising the risks of corrosion.
- Stainless steel contains chromium and other elements such as nickel and molybdenum which give it high resistance to corrosion and aggressive agents. Its low carbon content guarantees excellent resistance to intercrystalline corrosion.
- The different finishes proposed (brushed, microbeading, electropolished or painted) enable solutions to all demands relating to appearance, cleaning and long life.

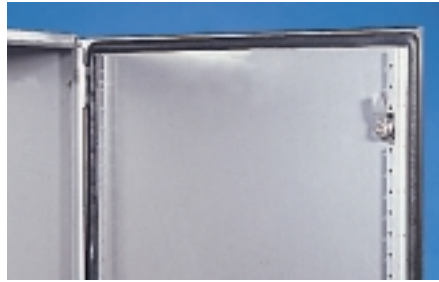
stainless steel type	chemical composition (%)					type of finish (1)	examples of use
AISI grade N. Europe	carbon	chrome	nickel	molyb.			
304	1.4301	< 0,07	17-19	8-10	0	Brushed	Agri-food, pharmaceuticals
304 L	1.4307	< 0,03	17-19	8-10	0	Microbeading	
316 L	1.4404	< 0,03	17-19	10-13	2-2,5	Microbeading	Marine, chemicals industry

(1) Stainless steel can be painted on request (excellent guarantee against corrosion) or electropolished (mirror finish).

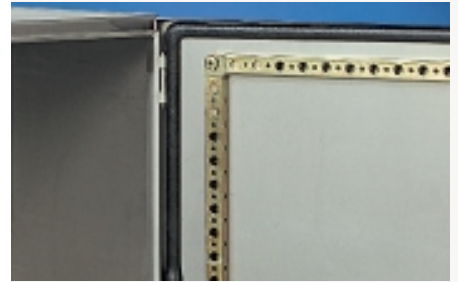
Spacial stainless steel enclosure



■ Polyurethane sealing gasket and gutter shaped front profile ensure total protection.



■ Perforated vertical door reinforcement rails on enclosures above 600 mm height allow fixing of door mounted equipment.



■ Door reinforcement frame on models ENN54961 and ENN54964.

■ Stainless steel hinges screw fixed to the body of enclosure to simplify removal of door for reversing its opening direction. Door opening angle: 120°.

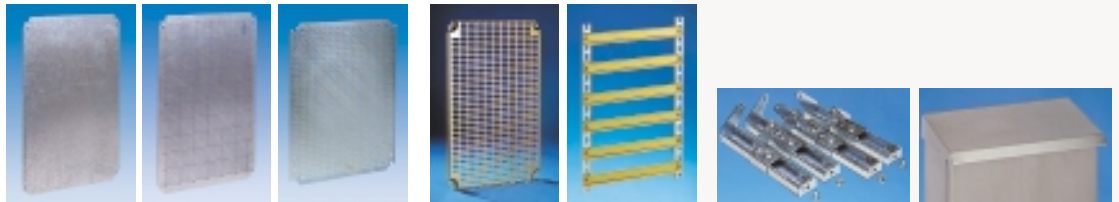


■ 4 welded studs in rear of enclosure for attaching plain chassis and step slides. 4 drillings for mounting enclosure on wall, either directly or using fixing lugs.



■ Welded earth studs on enclosure body and door with bolted connection lead. Total security in operation.

accessories selection table



external dimensions			equipment mounting accessories references					general accessories	
height	width	depth	chassis			perforated plates	mixed chassis symmetric	step slides	canopies
			plain	silkscreened	microperforated				
300	200	150	ENN55715	–	–	ENN55415	–	–	ENN50516
	300	150	ENN55702	–	–	ENN55402	ENN55002	–	ENN50517
400	300	150	ENN55712	ENN55362	ENN50412	ENN55417	ENN55017	–	ENN50517
	300	200	ENN55712	ENN55362	ENN50412	ENN55417	ENN55017	ENN53490	ENN50518
500	400	200	ENN55719	ENN55369	ENN50419	ENN55419	ENN55019	ENN53490	ENN50519
	400	200	ENN55723	ENN55373	ENN50423	ENN55423	ENN55023	ENN53490	ENN50519
600	400	200	ENN55726	ENN55376	ENN50426	ENN55426	ENN55026	ENN53490	ENN50519
	600	250	ENN55729	ENN55379	ENN50429	ENN55429	ENN55029	ENN53491	ENN50521
700	500	250	ENN55735	ENN55385	ENN50435	ENN55435	ENN55035	ENN53491	ENN50520
800	600	250	ENN55756	ENN55396	ENN50456	ENN55456	ENN55056	ENN53491	ENN50521
	800	300	ENN55745	–	ENN50445	ENN55446	ENN55045	ENN53492	ENN50561
1000	800	300	ENN55760	–	ENN50460	ENN55460	ENN55060	ENN53492	ENN50561
1200	800	300	ENN55764	–	ENN50464	ENN55464	ENN55064	ENN53492	ENN50561

special versions

On request, these enclosures can be delivered with:

- bonded safety glass,
 - alternative locks,
 - other dimensions or forms,
 - alternative finishes (paint finish, electropolishing, etc.).
- Consult our local sales office for quantities.



Special version example

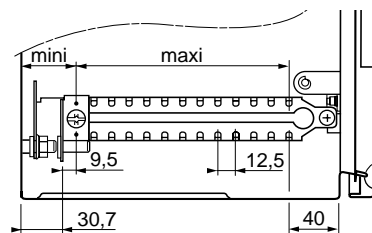
Spacial stainless steel enclosure

step slides

- Set of 4 step slides.
- Enable depth adjustment of chassis on 12.5 mm pitch. In addition, a 4 mm diameter hole on the front lip of each slide can be used for mounting other equipment or accessories.
- Material: steel, galvanised.

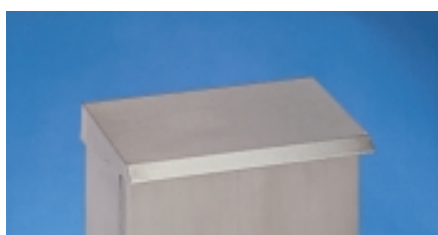


reference	for enclosures depth	dimensions A (mm)
ENN53490	200	44
ENN53491	250	46
ENN53492	300	49



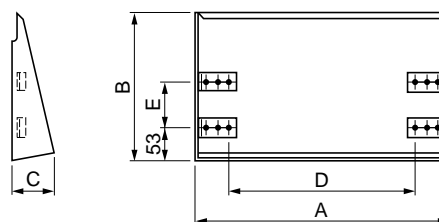
canopy

- Direct attachment to enclosure body.
- Material: stainless steel 304, thickness 1.5 mm, Scotch Brite (AST) type polished finish.
- Fixings for assembly included.
- Alternative finishes and steel grades: please contact our local sales office.



reference	for enclosures width	depth
ENN50516	200	150
ENN50517	300	150
ENN50518	300	200
ENN50519	400	200
ENN50520	500	250
ENN50521	600	250
ENN50561	800	300

canopy reference	dimensions				
	A	B	C	D	E
ENN50516	205	183	51	120	-
ENN50517	305	183	51	220	-
ENN50518	305	233	51	220	70
ENN50519	405	233	70	320	70
ENN50520	505	283	70	420	120
ENN50521	605	283	70	520	120
ENN50561	805	333	70	720	170



wall fixing lugs

- Set of 4 wall fixing lugs in stainless steel 304 or 316L.
- Attach directly to enclosure, either in vertical or horizontal position.



reference	s/steel type	finish
ENN53496	304	polished/brushed
ENN51251	304L	microbeading
ENN54969	316L	microbeading

locks

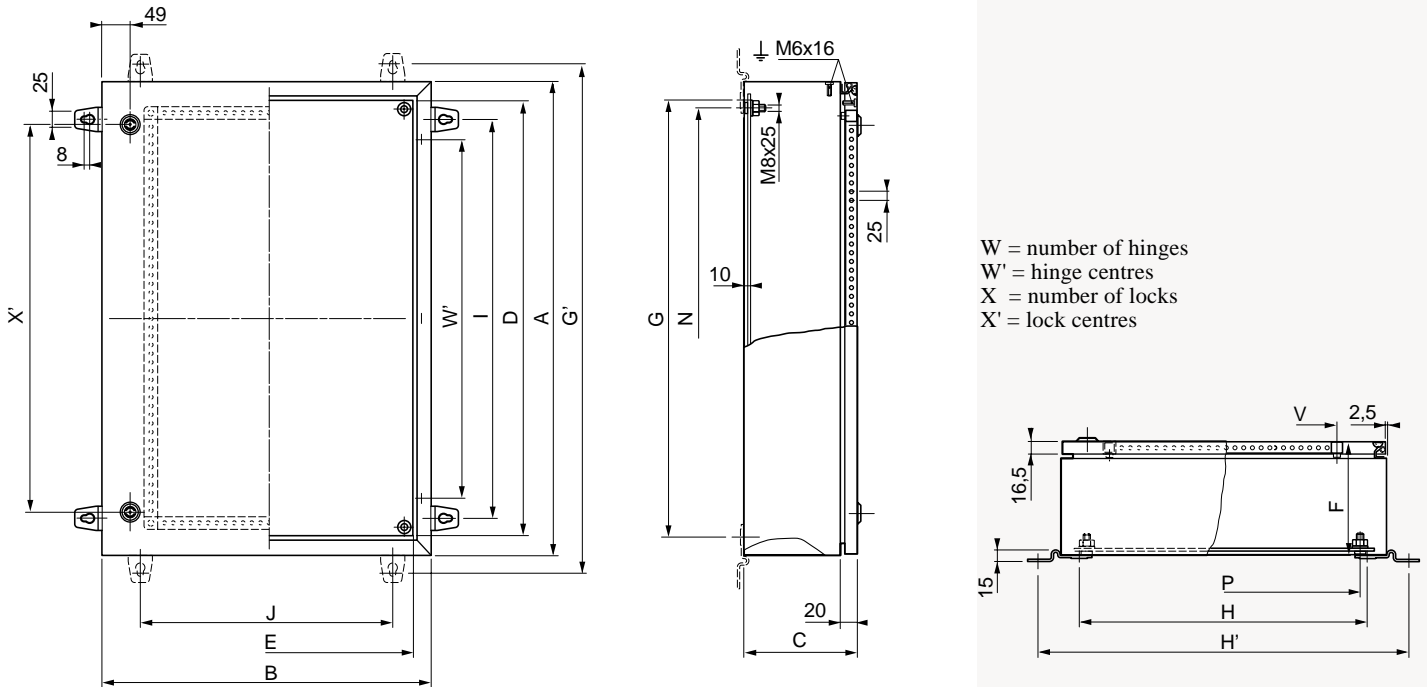
- 3 mm double bar zamack chromed lock included.
- Degree of protection: IP 66.



reference	description
ENN51354	3 mm double bar (replacement)
ENN51351	Triangular, 8 mm male
ENN51352	Square, 7 mm male
ENN51353	Square, 6 mm male
ENN51357	PB release, chrome 1242 E
ENN51358	PB release, polyamide 1242 E

Spacial stainless steel enclosure

dimensions

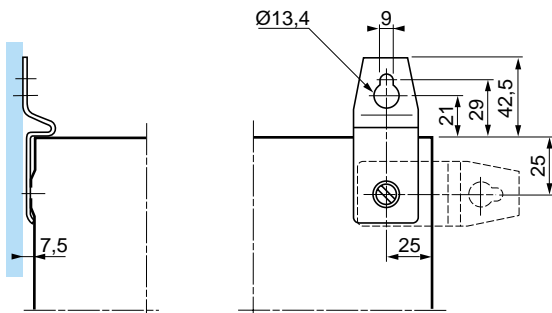


W = number of hinges
 W' = hinge centres
 X = number of locks
 X' = lock centres

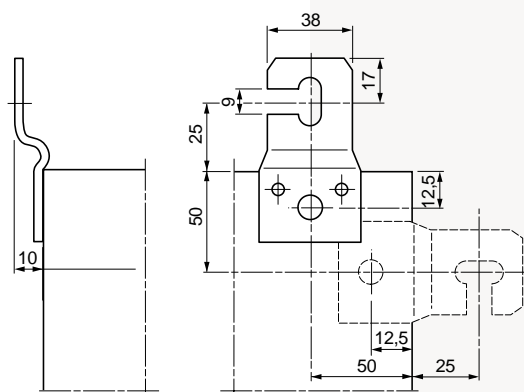
external dimensions			internal dimensions			wall fixing points (1)						rear mounted fixing studs		cable guide	closure points				weight kg
A	B	C	D	E	F	G	H	I	J	G'	H'	N	P	V	W	W'	X	X'	
300	200	150	257	157	134	250	150	250	150	358	258	225	125	-	2	162	1	-	3.9
300	300	150	257	257	134	250	250	250	250	358	358	225	225	-	2	162	1	-	4.8
400	300	150	347	257	134	350	250	350	250	458	358	325	225	-	2	262	2	200	5.7
400	300	200	347	257	184	350	250	350	250	458	358	325	225	-	2	262	2	200	6.7
400	400	200	347	357	184	350	350	350	350	458	458	325	325	-	2	262	2	200	7
500	400	200	457	357	184	450	350	450	350	558	458	425	325	-	2	362	2	250	9.2
600	400	200	557	357	184	550	350	550	350	658	458	525	325	319	2	462	2	350	10.7
600	600	250	557	557	234	550	550	550	550	658	658	525	525	519	2	462	2	350	14
700	500	250	657	457	234	650	450	650	450	758	558	625	425	419	2	562	2	450	18.5
800	600	250	757	557	234	750	550	750	550	858	658	725	525	519	2	662	2	550	23.5
800	800	300	757	757	284	750	750	750	750	858	858	725	725	719	2	662	2	550	31
1000	800	300	957	757	284	950	750	950	750	1058	858	925	725	650	3	862	2	750	38.5
1200	800	300	1157	757	284	1150	750	1150	750	1258	858	1125	725	650	3	1062	2	950	44

(1) With wall fixing lugs ref. ENN53496, to be ordered separately.

polished/brushed stainless steel range ENN53496



microbeading stainless steel range ENN51251/ENN54969



chassis

Dimensions, see page 87.