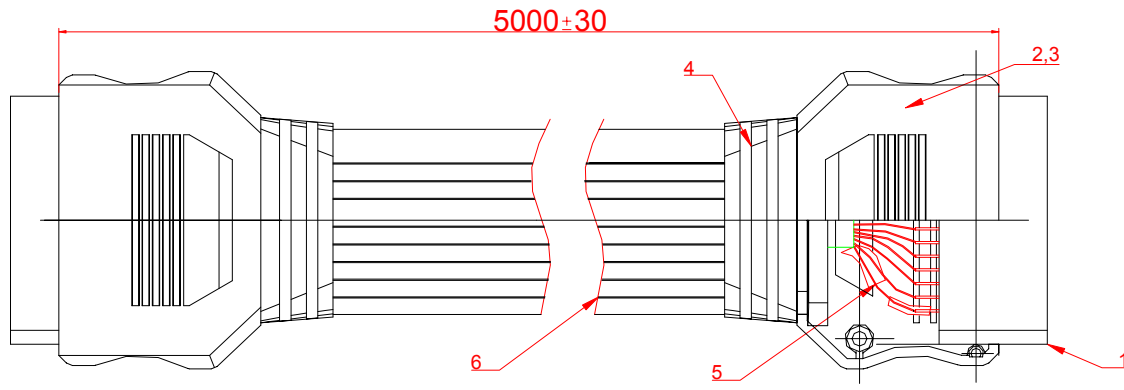
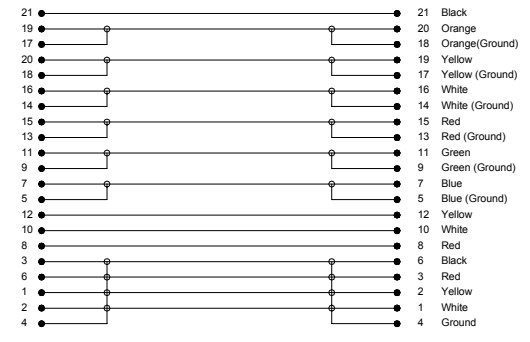


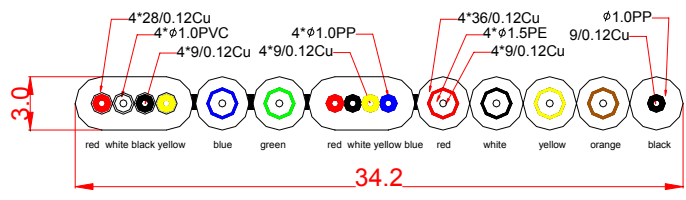
ECN Symbol	ECN No.	Descriptions	Date
			April 20 2003



Wiring Diagram



Structure Of Cable 20+1 Standard Flat Cable



		20+1 Standard Flat Cable		
6		20+1 Standard Flat Cable		
5		Shrink Plastic Tube		5pcs*? 3.0*8.0+2pcs*(? 4.0*8.0 /? 5.0*8.0)+42pcs*? 2.0*10.0
	J09-9831-06	20+1 Standard Flat Cable+Inner Mold	2pcs	
4	J09-9831-05	20+1 Std Flat Cable Stopper +Inner Mold	2pcs	
3	J09-9831-02	21PIN Housing (180j ㄖ)	2pcs	
2	J09-9831-01	21PIN Housing (180j ㄖ)	2pcs	
1		21PIN Scart Plug	2pcs	
Item	Ref/No.	Description	Q'ty	Remark
Prepared	Donald	Material	21PIN SCART 180°	
Checked		Finish	Model	AV07476
Approved		Q'ty	VER.	SCALE
Unit mm			A-1	
Ref/No.		Page	<b>JESMAY</b>	