

Honeywell Sensing and Control

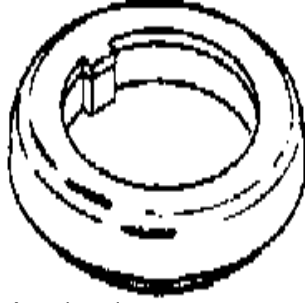


Order Product and Get Support

Home > Products > Product Page

- U.S. Authorized Distributors
- Global Sales & Service
- N. American Sales Reps
- Distributor Inventory
- Technical Assistance
- White Papers
- Literature Request
- Test and Measurement Catalog
- RoHS Product List
- Customer Feedback

15PA87



Toggle Switch Panel Seal, 15/32 inch

Actual product appearance may vary.

Supporting Documentation

 [Engineering Drawing](#)

Product Specifications	
Product Type	Toggle Panel Seal
Used With Series	AT, NT, TL, TS, TW
Availability	Global

My Links

- [Login to iCOM](#)
- [Login as Rep/AD](#)
- [Login as Guest](#)
- [Login to Digital University](#)

Keyword Search

Search for product and support information.

Product Search

Part number search:

Use (*) to expand search

→ [Specification Search](#)

THIS DRAWING COVERS A PROPRIETARY ITEM AND IS THE PROPERTY OF MICRO SWITCH, A DIVISION OF HONEYWELL. THIS DRAWING IS NOT TO BE COPIED OR USED WITHOUT THE APPROVAL OF MICRO SWITCH.

15PA87

CATALOG LISTING



ISSUE

3

PAGE 1 OF 1

REPLACES

RELEASE NO. SR-12670

CHECK

REVISIONS

A 203836

G J W
AUG 01

CHECK

31AUG01

SAV

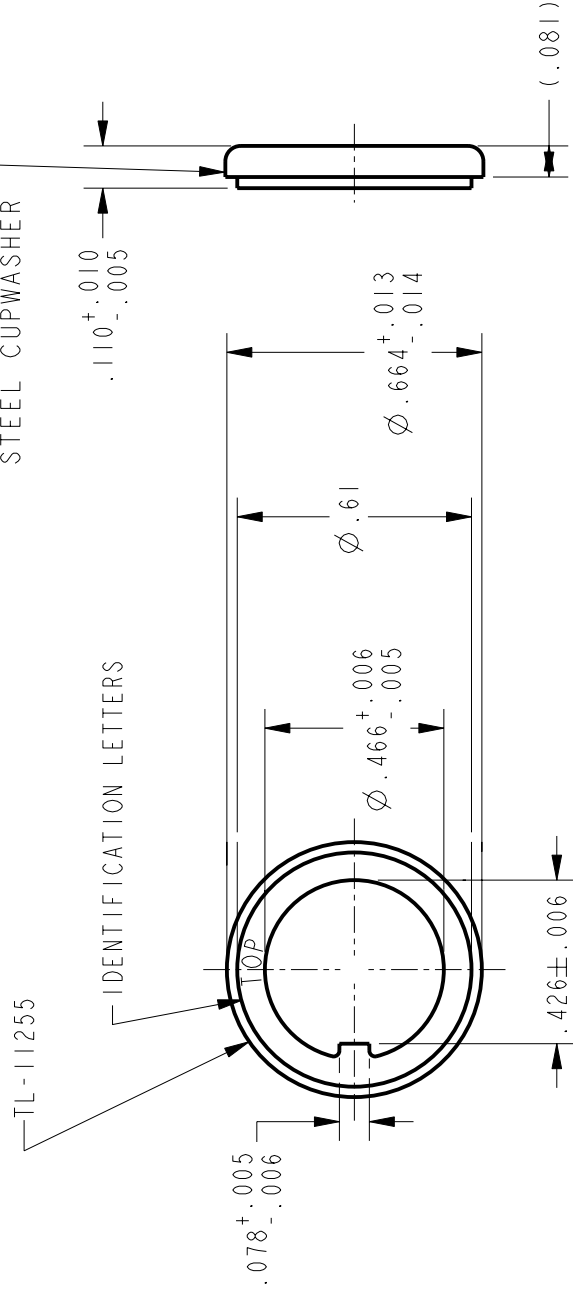
CHECK

31AUG01

DRAWN

PTC/CAD 2D

ANSI Y14.5M-1982 APPLIES



THIRD ANGLE PROJECTION



SCALE 2 : 1

DO NOT SCALE PRINT

UNLESS OTHERWISE SPECIFIED TOLERANCES ARE

- ONE PLACE (.0) $\pm .030$
- TWO PLACE (.00) $\pm .015$
- THREE PLACE (.000) $\pm .005$
- ANGLES \dagger

WEIGHT