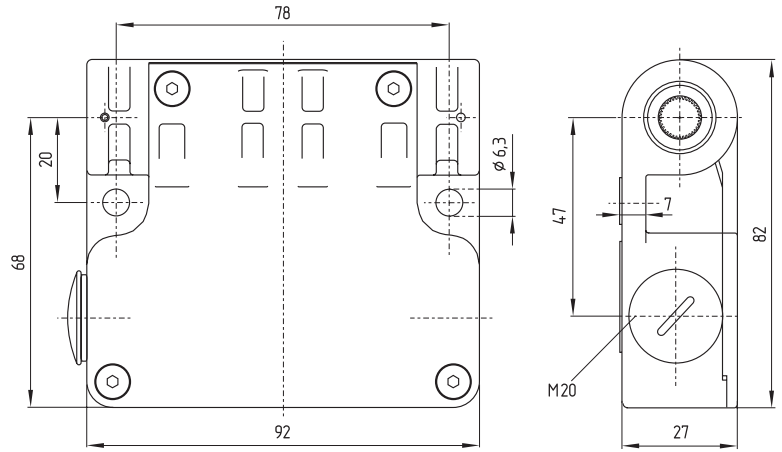
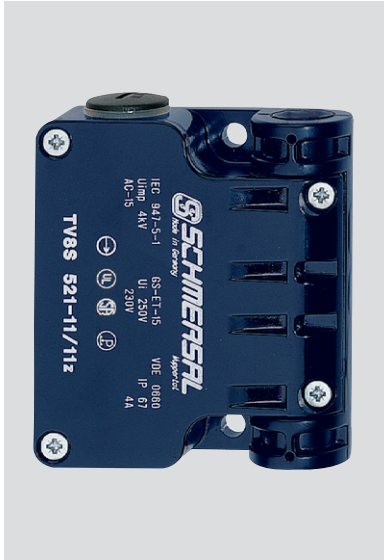


4. Safety switches for hinged safety guards
4.2 Hinge safety switches
4.2.7 TV8S 521 range



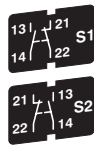
Features

- Metal enclosure
- Mounting independent of hinge
- Variable mounting on hinged side
- Rail-mounting possible
- 2-channel reciprocal monitoring
- Good resistance to oil and petroleum spirit
- Actuating shaft can be turned 360°
- 2 cable entries Pg 11
- Switching point subsequently adjustable using hinge L
- For doors hinged on left or right-hand side
- Push-in system (toothed shaft)

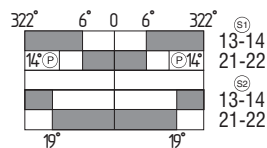
**Contacts/
Switch travel**



Each insert:
1 NO
1 NC

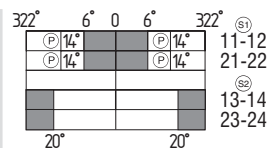


2 NO
2 NC



Slow action

TV8S 521-11/11z



TV8S 521-02/20z

Notes

Closed guard device = 0° in contact switch travel diagrams.
 This is the rest position of the switch.

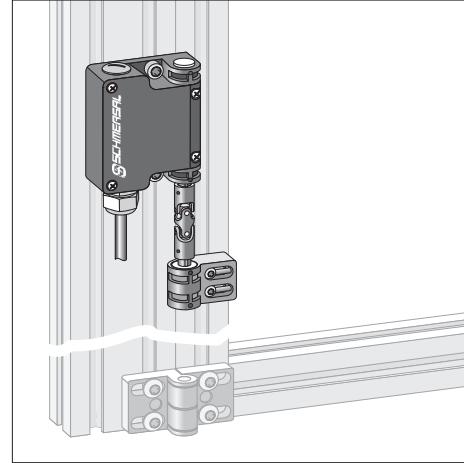
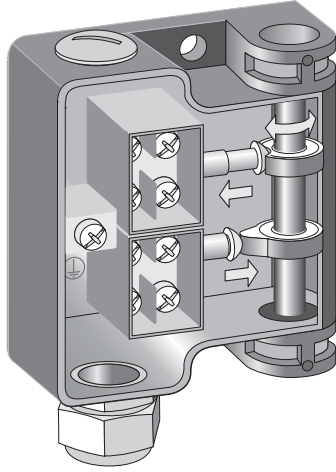
Approvals



4. Safety switches for hinged safety guards
4.2 Hinge safety switches
4.2.6 TV8S 521 range



Application



**Included
in delivery**

- Hinge safety switch
- Dowel pin
- Blanking plug

Info

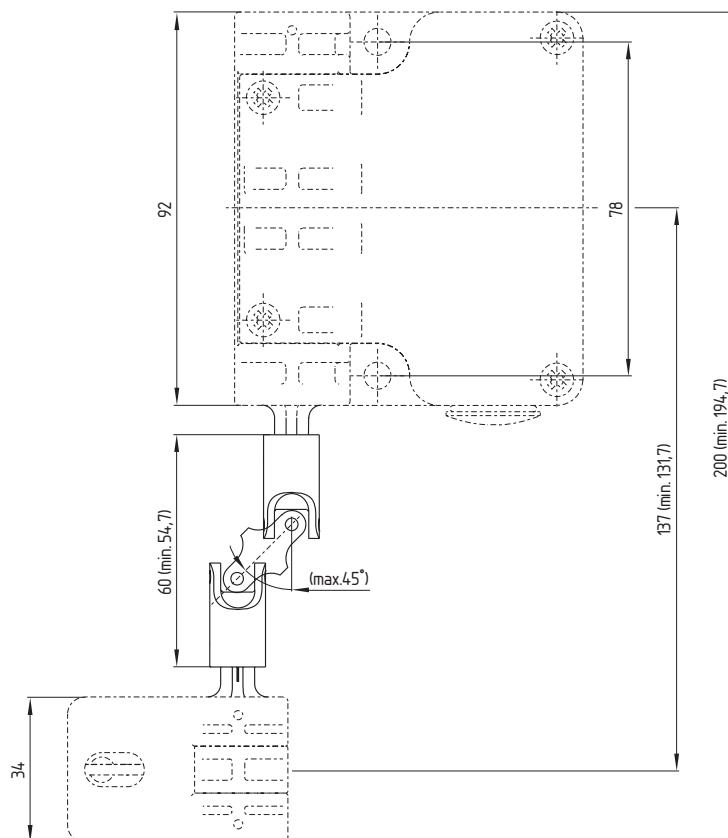
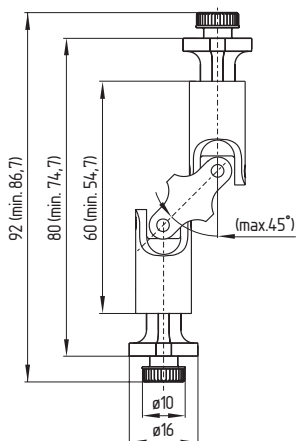
- Universal joint K1 available to compensate for axial displacement, see chapter 4.2.7
- With M 16 x 1.5 cable entry, ordering suffix -M16

4. Safety switches for hinged safety guards
4.2 Hinge safety switches
4.2.7 Accessories



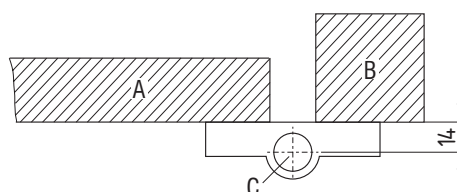
Universal joint K1

- Complete with pins mounted
- Only suitable for TV8S 521



Mounting details

- A = Guard door
- B = Door post
- C = Door hinge
- D = Distance from axis of hinge



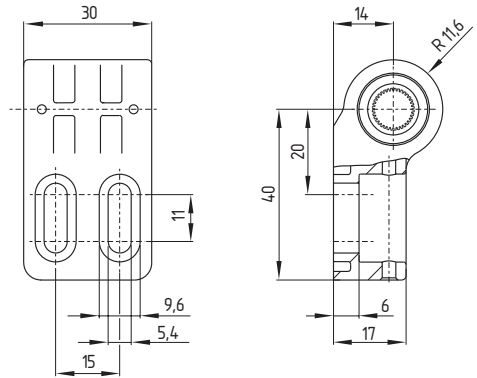
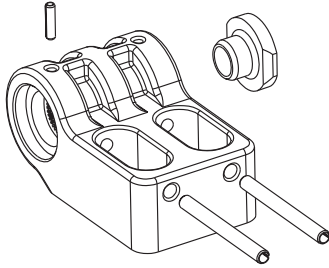
4. Safety switches for hinged safety guards
4.2 Hinge safety switches
4.2.7 Accessories



Fixed hinge F

Included in delivery

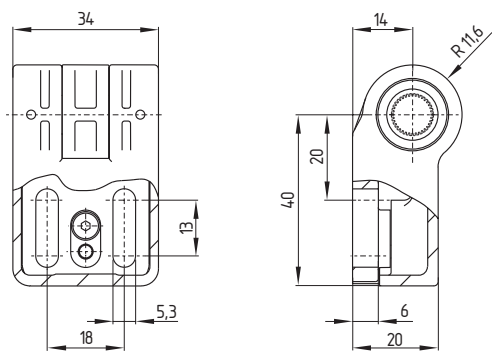
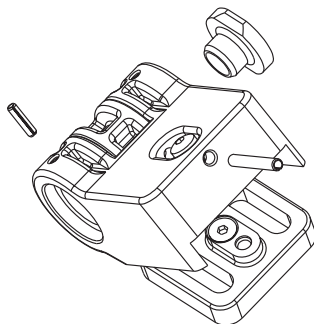
- Locating pins
- One blanking plug
- Two M 5 x 20 screws to ISO 7380



Adjustable hinge L

Included in delivery

- Locating pins
- One blanking plug
- Two M 5 x 20 screws to ISO 7380



4. Safety switches for hinged safety guards

4.3 Technical data

TV8S 521	
Standards:	IEC/EN 60947-5-1; EN 1088; BG-GS-ET-15
Design:	–
Enclosure material:	Light-alloy diecasting, enamelled
Protection class:	IP 67 to IEC/EN 60529
Contact material:	Silver
Contact type:	2 change-over contacts with double break Zb, with galvanically separated contact bridges
Switching system:	⊖ IEC 60947-5-1; BG-GS-ET-15; slow action, NC contacts with positive break
Termination:	Screw terminals for min. 0,75 mm ² , max. 1.5 mm ² cables solid and stranded wire (incl. conductor ferrules)
Rated impulse	
withstand voltage U _{imp} :	4 kV
Rated insulation voltage U _i :	250 V
Thermal test current I _{th} :	6 A
Utilisation category:	AC-15
Rated operating	
current/voltage I _e /U _e :	4 A/230 VAC
Max. fuse rating:	6 A gL/gG D-fuse
Ambient temperature:	– 25 °C ... + 70 °C
Mechanical life:	> 1 million operations
Switching frequency:	Max. 1,000 / h
Shaft bore:	Inner toothing
Positive break angle:	14°
Positive break torque:	0.8 Nm
CE	