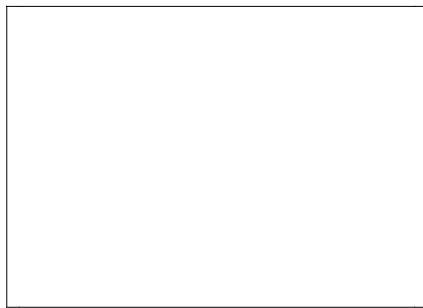
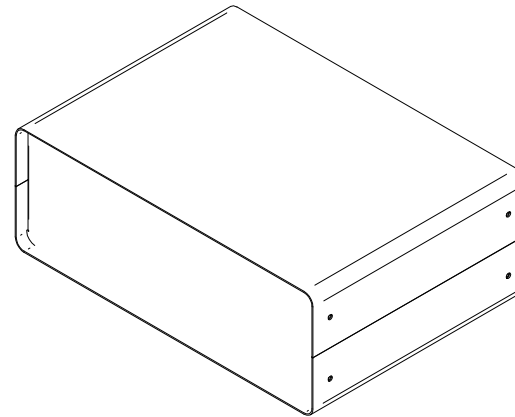


# PART No. 1401P

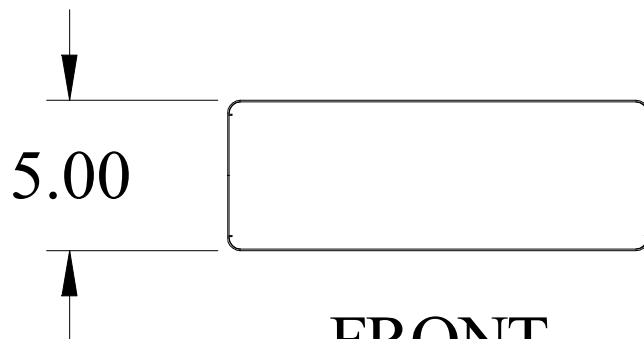
for more information visit  
[www.hammondmfg.com](http://www.hammondmfg.com)

Data subject to change without notice

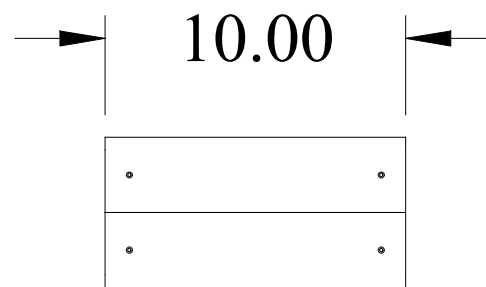
ISOMETRIC VIEW NOT TO SCALE



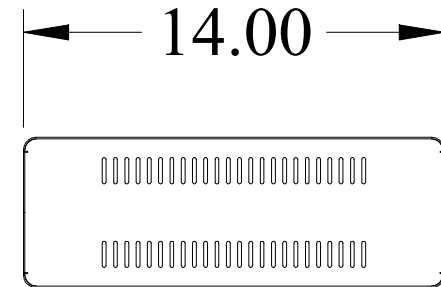
TOP



FRONT



SIDE



REAR