

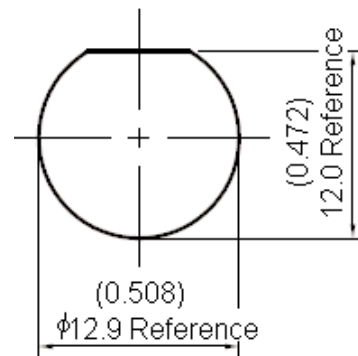
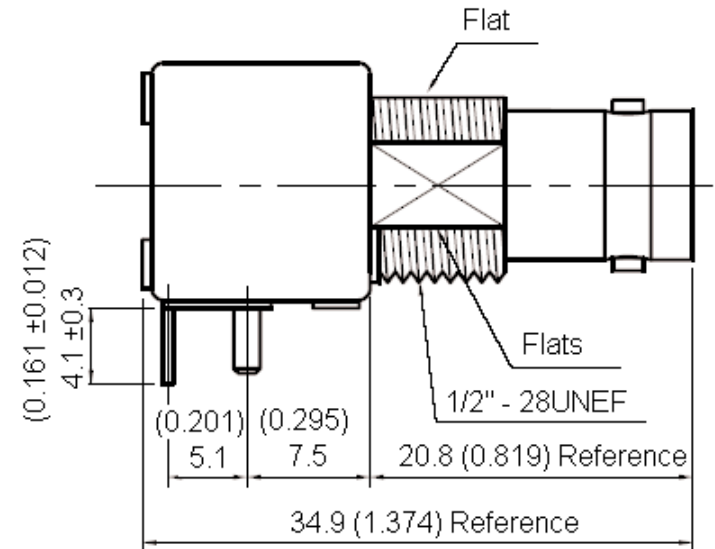
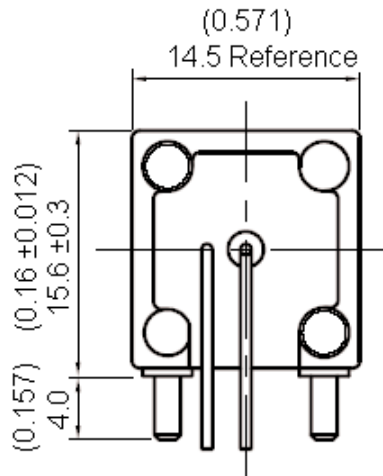
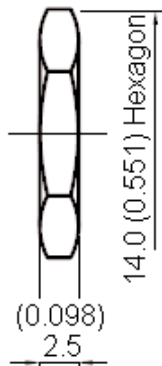


PART NO.

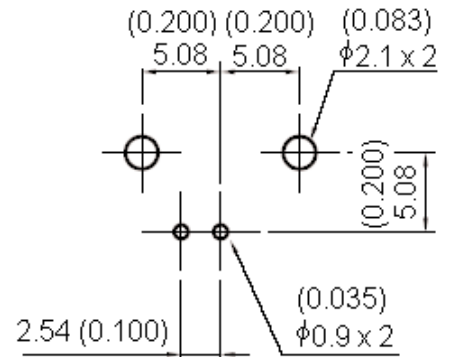
13-60-3

REVISIONS

ECN #	REV	DESCRIPTION	DRAWN	DATE	CHECKD	DATE	APPRVD	DATE
-	A	RELEASED	Nirosha	29/8/07	Suresh	29/8/07	G. C	13/9/07



Mounting Hole



PCB Configuration

Dimensions : Millimetres (Inches)

This data sheet and its contents (the "Information") belong to the Premier Farnell Group (the "Group") or are licensed to it. No licence is granted for the use of it other than for information purposes in connection with the products to which it relates. No licence of any intellectual property rights is granted. The Information is subject to change without notice and replaces all data sheets previously supplied. The Information supplied is believed to be accurate but the Group assumes no responsibility for its accuracy or completeness, any error in or omission from it or for any use made of it. Users of this data sheet should check for themselves the Information and the suitability of the products for their purpose and not make any assumptions based on information included or omitted. Liability for loss or damage resulting from any reliance on the Information or use of it (including liability resulting from negligence or where the Group was aware of the possibility of such loss or damage arising) is excluded. This will not operate to limit or restrict the Group's liability for death or personal injury resulting from its negligence. SPC MULTICOMP is the registered trademark of the Group. © Premier Farnell plc 2007.

TOLERANCES:

UNLESS OTHERWISE SPECIFIED, DIMENSIONS ARE FOR REFERENCE PURPOSES ONLY.

DRAWN BY:	DATE:
Nirosha	29/08/07
CHECKED BY:	DATE:
Suresh	29/07/07
APPROVED BY:	DATE:
G.Cook	13/09/07

DRAWING TITLE:

13-60-3

SIZE	DWG NO.	ELECTRONIC FILE	REV
A	M10000427	1169550_DWG	A
SCALE: NTS	U.O.M.: mm (Inches)	SHEET: 1 OF 2	



PART NO.

13-60-3

REVISIONS

ECN #	REV	DESCRIPTION	DRAWN	DATE	CHECKD	DATE	APPRVD	DATE
-	A	RELEASED	Nirosha	29/8/07	Suresh	29/8/07	G. C	13/9/07

Specifications:

Mechanical Characteristics:

Mating/Unmating : 500 Cycles.

Electrical Characteristics:

Normal Impedance : 50 Ohms.

Frequency Range : 0 - 1GHz.

Operating Voltage : 500 Volts rms.

Maximum Contact Resistance : 3.0 Milliohms (gold).

Dielectric Withstanding Voltage : 1500 Volts rms.

Minimum Insulation Resistance : 5000 Megohms.

Environmental Characteristics:

Temperature Range : -65°C to +165°C.

Thermal Shock : MIL-STD-202, Method 107, Condition B.

Physical Shock : MIL-STD-202, Method 204, Condition B.

Specification Table

Number	Description	Material	Finish	Part Number
1	Mounting Post	Brass	Tin	13-60-3
2	Body	Zinc	Nickel	
3	Nut	Brass		
4	Lock Washer	Iron		
5	Insulation	POM	None	
6	Centre Contact	Phosphor Bronze Gold Plating at Contact Area 100 - 200µ" Tin/Lead Plating at Tail over 50µ" Nickel Plating overall	Gold Tin	
7	Solder Pin	Phosphor Bronze	Tin	

<http://www.farnell.com>
<http://www.newark.com>
<http://www.cpc.co.uk>

This data sheet and its contents (the "Information") belong to the Premier Farnell Group (the "Group") or are licensed to it. No licence is granted for the use of it other than for information purposes in connection with the products to which it relates. No licence of any intellectual property rights is granted. The Information is subject to change without notice and replaces all data sheets previously supplied. The Information supplied is believed to be accurate but the Group assumes no responsibility for its accuracy or completeness, any error in or omission from it or for any use made of it. Users of this data sheet should check for themselves the Information and the suitability of the products for their purpose and not make any assumptions based on information included or omitted. Liability for loss or damage resulting from any reliance on the Information or use of it (including liability resulting from negligence or where the Group was aware of the possibility of such loss or damage arising) is excluded. This will not operate to limit or restrict the Group's liability for death or personal injury resulting from its negligence. SPC MULTICOMP is the registered trademark of the Group. © Premier Farnell plc 2007.

TOLERANCES:
UNLESS OTHERWISE SPECIFIED, DIMENSIONS ARE FOR REFERENCE PURPOSES ONLY.

DRAWN BY:	DATE:
Nirosha	29/08/07
CHECKED BY:	DATE:
Suresh	29/07/07
APPROVED BY:	DATE:
G.Cook	13/09/07

DRAWING TITLE:			
13-60-3			
SIZE	DWG NO.	ELECTRONIC FILE	REV
A	M10000427	1169550_DWG	A
SCALE: NTS		U.O.M.: mm (Inches)	SHEET: 2 OF 2