




# SELECTION

## ◎ON/OFF INDICATOR TYPE

## ◎DIGITAL INDICATOR OF 5 INPUT TYPE

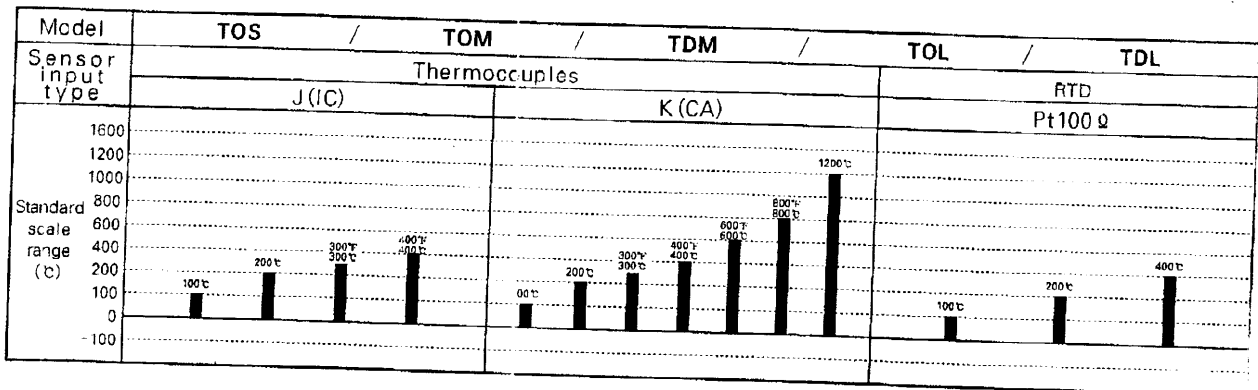
Model	TOS	T4WM
Appearances & dimensions	 H:48 D:92 W:48	 H:48 D:113 W:95
Features	<ul style="list-style-type: none"> <li>● ON/OFF indicator</li> <li>● DIN size : W48×H48mm</li> <li>● 8 Pin plug in type</li> <li>● Good quality, low price.</li> </ul>	<ul style="list-style-type: none"> <li>● Indicator type</li> <li>● High accuracy : F · S ± 0.5%</li> <li>● It can be connected 5 sensor for 1 controller.</li> <li>● It is automatically indicated the processing value each sensor periodically.</li> </ul>
Power supply	100 to 240VAC/VDC 50/60Hz	110/220VAC 50/60Hz
Operating voltage	90 to 110% of rated voltage	
Power consumption	3VA	
Display method	LED ON indicator	7Segment LED Display
Indicating accuracy	—————	F · S ± 0.5%
Key setting method	Setting by the dial handle	—————
Setting accuracy	F · S ± 2%	—————
Input	Thermocouple	K(CA), J(IC)
	RTD	
Control output	Relay	—————
	SSR	
Control mode		
Weight	About 104g	About 372g
page	45 to 48	49 to 51

\*The weight of above chart is net weight.

TEMP. CONTROLLER

# ANALOG TYPE BY DIAL SETTING/DEVIATION INDICATOR TYPE

## Temperature range for each sensor



## Rating

Model	TOS	TOM	TDM	TOL	TDL
Power supply	100 to 240VAC /VDC 50/60Hz	110/220VAC 50/60Hz			
Operating voltage	90 to 110% rated voltage				
Power consumption	3VA				
Display method	LED ON indicator	LED ON/OFF indicator	LED deviation indicator	LED ON/OFF indicator	LED deviation indicator
Indicating accuracy					
Key setting method	Dial setting				
Setting accuracy	F · S ± 2%				
Input sensor	Thermocouples:K(CA), J(IC), RTD:Pt100 Ω				
External allowable wire resistance	Thermocouples:100 Ω Max., RTD:Max. 5 Ω per a wire				
Control	ON/OFF	Hysteresis:F · S 0.5 ± 0.2% variable			
	Proportional	Proportional band:F · S 3%			
Control output	· Relay output:250VAC 3A 1c · SSR output:12VDC 20mA Max.				
Protection circuit	Built-in burn out				

## Characteristic

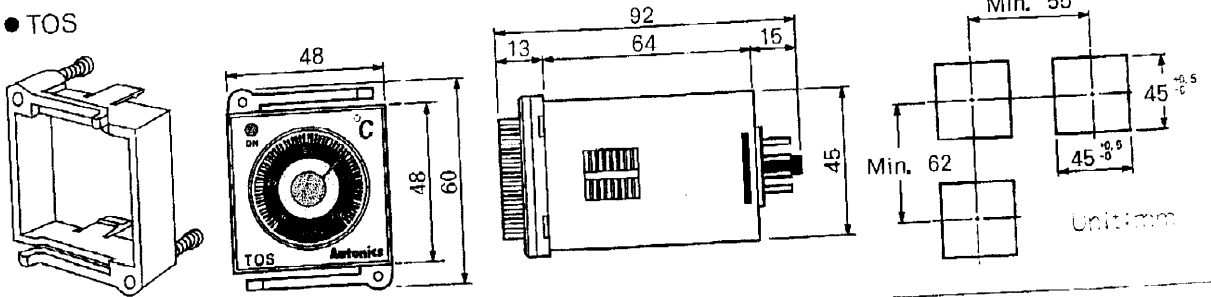
Insulation resistance	100M Ω Min(at 500VDC) between power input terminal and control output terminal				
Dielectric strength	2000VAC 50/60Hz for 1 minute between power input terminal and control output terminal				
Noise	±1KV The square wave noise(pulse width:1 μs) by the noise simulator				
Mechanical Shock/Vibration	Mechanical durability	10 to 55Hz(cycle:1minute) 0.75mm double amplitude at X, Y, Z direction for 1 hour			
	Malfunction durability	10 to 55Hz(cycle:1minute) 0.5mm double amplitude at X, Y, Z direction for 10 min			
Service Life	Mechanical durability	Min. 300m/S <sup>2</sup> (30G) 3turns at X, Y, Z direction			
	Mechanical durability	Min. 100m/S <sup>2</sup> (30G) 3turns at X, Y, Z direction			
	Electrically	Min. 10,000,000 operation			
Ambient operating temp.	Min. 100,000 operation at 250VAC 3A (Resistive load)				
Ambient storage temp.	-10 to 50°C (at non-freezing status)				
Ambient humidity	-25 to 60°C (at non-freezing status)				
Weight	35 to 85% RH				
	About 104g	About 353g	About 393g	About 426g	About 471g

\*The weight of above chart is net weight.

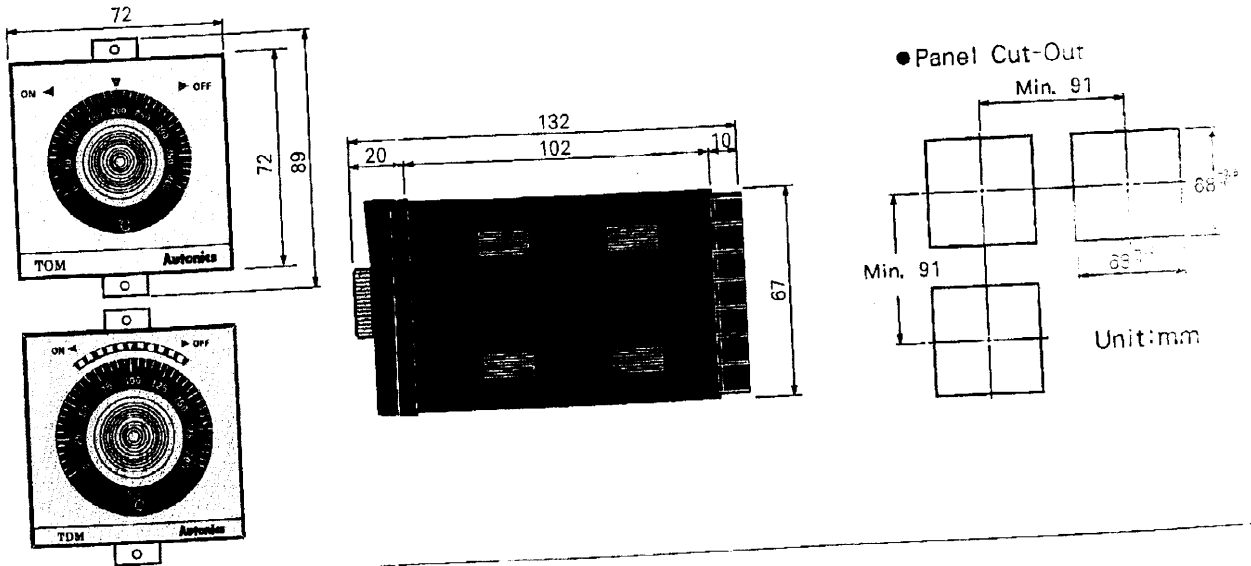
# ANALOG TYPE BY DIAL SETTING/DEVIATION INDICATOR TYPE

## ■ Dimensions

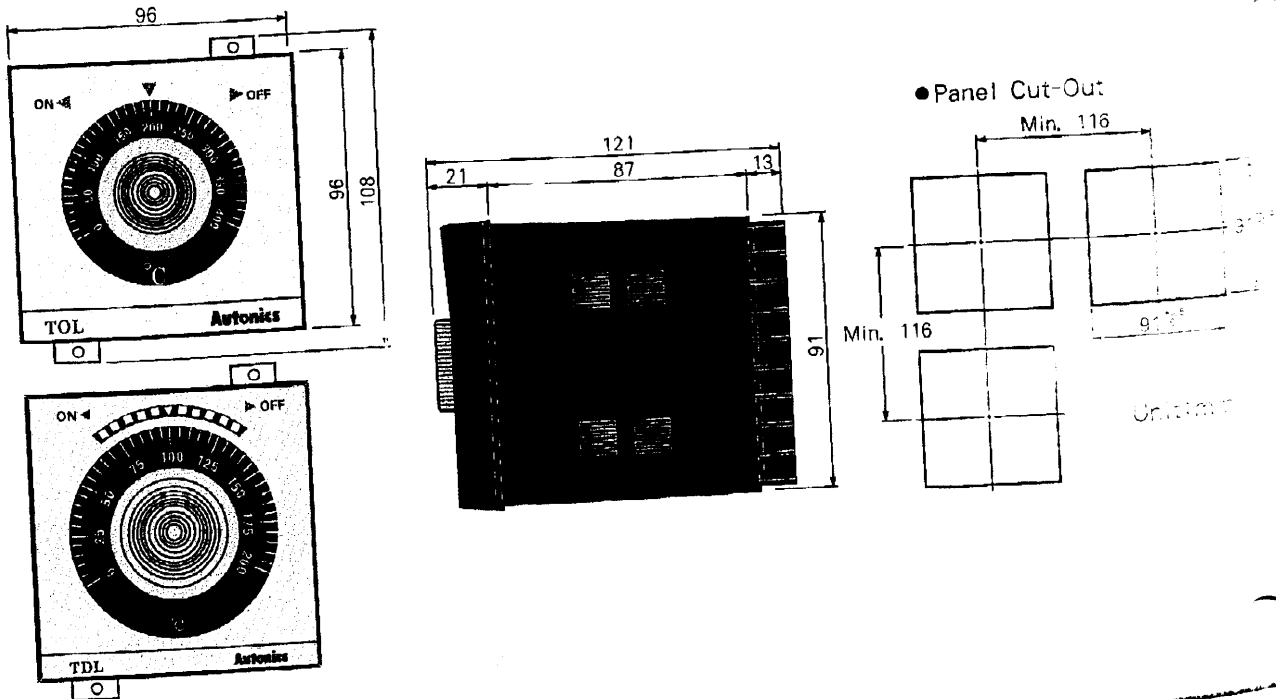
### ● TOS



### ● TOM, TDM



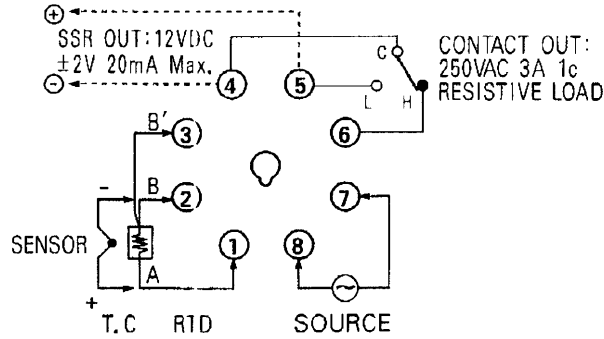
### ● TOL, TDL



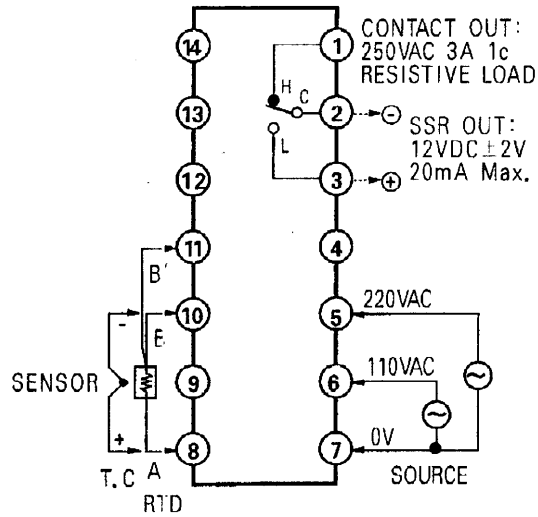
# ANALOG TYPE BY DIAL SETTING/DEVIATION INDICATOR TYPE

## Connections

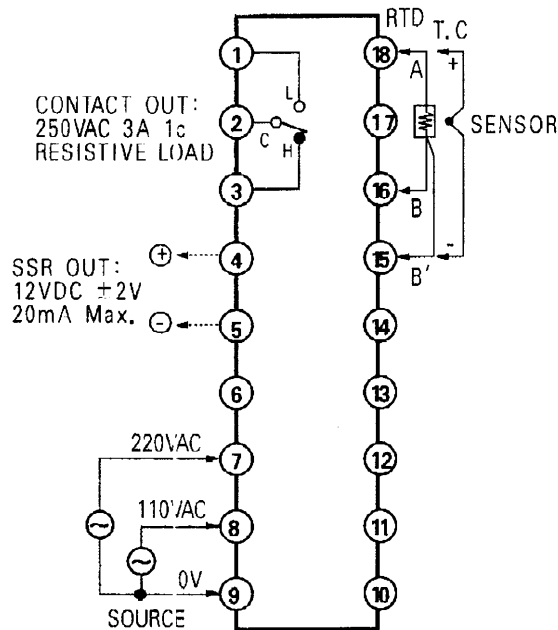
### • TOS



### • TOM, TDM



### • TOL, TDL



TEMP  
CONTROL