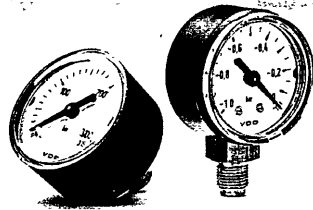


VDO·IMT

PRESSURE GAUGES



40mm ABS BOTTOM AND REAR ENTRY GAUGES

- Ø40mm ABS housing
- Copper alloy measuring system
- Built to DIN 16063 EN837
- Ranges from -1 ... 15 bar to 0 ... 400 bar
- Accuracy class 2.5 to DIN 16005

Type

1410

1415

Nominal Size

40mm

PART NUMBERS

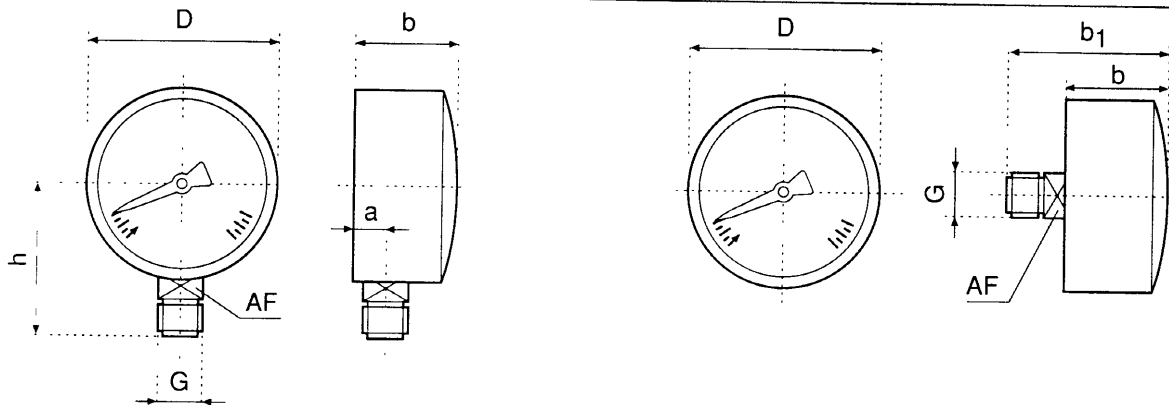
Range (Bar)	1410	1415
-1 to 0	016001	016001
-1 to 0.6	042901	042901
-1 to 1.5	043001	043001
-1 to 3	044001	044001
-1 to 5	045001	045001
-1 to 9	046901	046901
-1 to 15	049901	049901
0 to 1	069001	069001
0 to 1.6	070001	070001
0 to 2.5	072001	072001
0 to 4	073001	073001
0 to 6	074001	074001
0 to 10	075001	075001
0 to 16	076001	076001
0 to 25	078001	078001
0 to 40	079001	079001
0 to 60	080901	080001
0 to 100	081901	081901
0 to 160	082901	082901
0 to 250	084901	084901
0 to 315	085901	085901
0 to 400	086901	086901

Please note that items in bold are available from stock & are G $\frac{1}{2}$ " connection

TECHNICAL DATA

Type	1410	1415
Symbol		
Nominal size (mm)	40	
Accuracy class	2.5 to Din 16005 (EN837)	
Case	Plastic, black (ABS)	
Window	Plexiglass, convex, clipped on	
Dial	Plastic, white with stop pin, scale black to Din 16109	
Pointer	Plastic, black	
Movement	Cu Zn alloy (Brass)	
Wetted parts		
Measuring element	Cu alloy	
Pressure connection	Cu Zn alloy	
Connection thread	G $\frac{1}{2}$ " A (1/2" BSP) or G $\frac{1}{2}$ " A (1/2" BSP)	
Temperature ranges		
- media	T max +60°C	
- ambient	T min -40°C to T max +60°C	
Weight approx (Kg)	0.07	0.065

DIMENSIONS



Type 1410

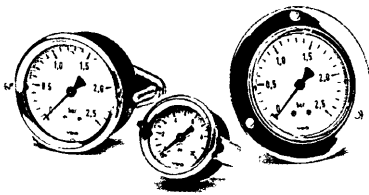
All dimensions in mm

NG	a \pm 0.5	b \pm 0.5	D \pm 0.5	G	h \pm 1	AF
40	3	23	40	G/ A(1/2" BSP)	36	12
40	3	23	40	G/ A(1/2" BSP)	40.5	12

Type 1415

NG	b \pm 0.5	b1 \pm 0.5	D \pm 0.5	G	AF
40	26	44	41	G/ A(1/2" BSP)	14
40	26	47	41	G/ A(1/2" BSP)	14

Other options are available such as dual scal (Bar/psi), various bezel types and different connection threads



40mm AND 63mm FRONT PANEL MOUNTED GAUGES

- Ø40mm and Ø63mm gauges
- Copper alloy measuring system
- Panel mounting
- Rear entry
- Range: from -1 to 5 Bar to 0 - 400 Bar
- Accuracy class 2.5 to DIN 16005

Type
1417
1436
1437
Nominal Size
40/63mm

PART NUMBERS

Range (Bar)	1417	1436	1437
-1 to 0	016001	016001	016001
-1 to 0.6	042901	042903	042901
-1 to 1.5	043901	043903	043901
-1 to 3	044901	044903	044001
-1 to 5	045901	045903	045901
-1 to 9	046901	046903	046901
-1 to 15	049901	049903	049901
0 to 0.6	-	067903	067901
0 to 1	069901	069903	069901
0 to 1.6	070901	070001	070901
0 to 2.5	072901	072001	072001
0 to 4	073901	073001	073001
0 to 6	074001	074001	074001
0 to 10	075001	075001	075001
0 to 16	076001	076001	076001
0 to 25	078901	078001	078001
0 to 40	079901	079001	079901
0 to 60	080901	080903	080901
0 to 100	081901	081903	081901
0 to 160	082901	082903	082901
0 to 250	084901	084903	084901
0 to 315	085901	085903	085901
0 to 400	086901	086903	086901

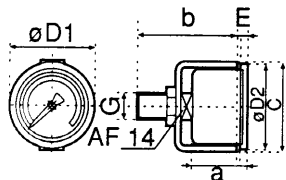
Please note that items in bold are available from stock

TECHNICAL DATA

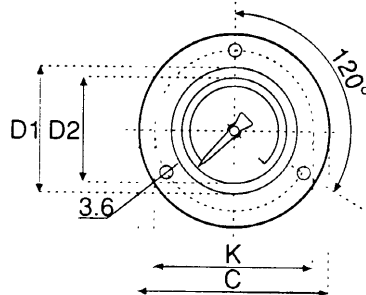
Type	1417	1436	1437
Symbol			
Nominal size	40	63	
Accuracy class	2.5 to Din 16005		
Case	Steel, black finish		
Bezel	Triangular	Front flange	Triangular
Steel chrome plated			
Window	Plexiglass		
Dial	Plastic, white, scale black		
Pointer	Plastic black	Aluminium black	
Movement	Cu Zn alloy (Brass)		
Wetted parts			
Measuring element	Cu alloy		
Pressure connection	Cu Zn alloy		
Position	Central, back		
Connection thread	G 1/4" (1/4" BSP)		
Temperature ranges			
- media	Tmin -20°C, Tmax +60°C		
- ambient	Tmax +60°C		
Weight approx	0.11 Kg	0.14 Kg	0.14 Kg

DIMENSIONS

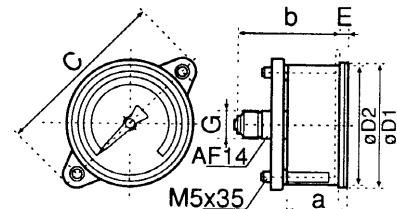
All dimensions in mm



Type 1417



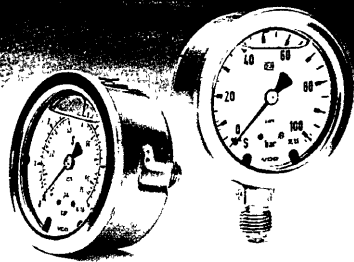
Type 1436



Type 1437

Type	NG	a ± 0.5	b ± 0.5	C ± 1	D1 ± 0.5	D2 ± 0.5	E ± 0.5	G	K	Panel cutout
1417	40	28.5	53.5	49	44	40	4.5	G 1/4" (1/4" BSP)	-	42.5 ± 0.5
1436	63	31.5	53	91	67	62	5	G 1/4" (1/4" BSP)	-	63.5 ± 0.5
1437	63	31.5	53	91	67	62	5	G 1/4" (1/4" BSP)	75	63.5 ± 0.5

Other options are available including 50mm gauges, flat instrument glass and different connection threads



63mm STAINLESS STEEL HOUSING AND MEASURING SYSTEM, BOTTOM AND REAR ENTRY, GLYCERINE FILLED

- Ø63mm stainless steel gauges glycerine filled
- Stainless steel measuring system
- Ranges from -1... 15 Bar, to 0... 1000 Bar
- Over pressure rating 1.3 times full scale
- Suitable for process industry
- Accuracy class 1.6 according to DIN 16005

Type	2032
	2033
Nominal Size	63mm

PART NUMBERS

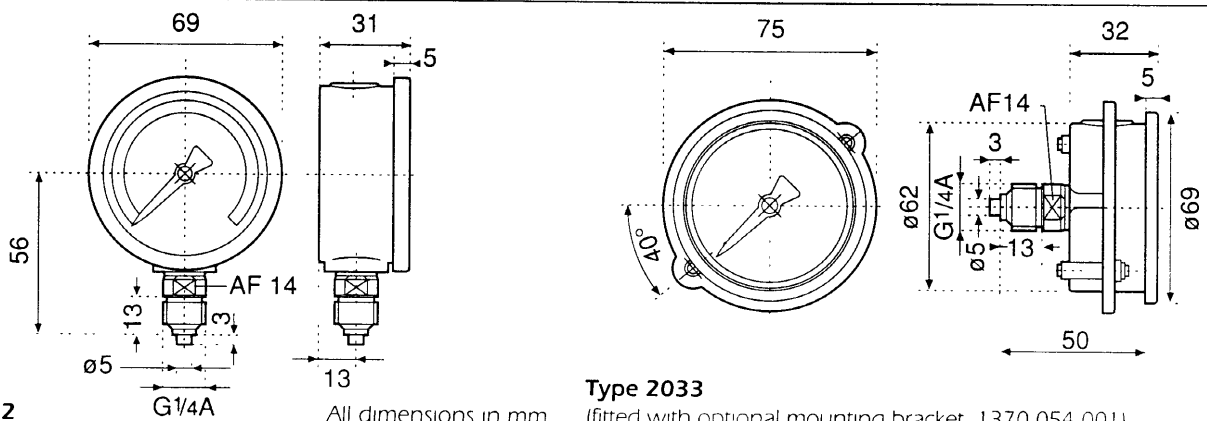
Range (Bar)	2032	2033
-1200 to 0 mbar	017901	017901
-1 to 0	016001	016001
-1 to 0.6	042901	042901
-1 to 1.5	043901	043901
-1 to 3	044001	044901
-1 to 5	045001	045001
-1 to 9	046901	046901
-1 to 15	049901	049901
0 to 1	069901	069001
0 to 1.6	070001	070001
0 to 2.5	072001	072001
0 to 4	073001	073001
0 to 6	074001	074001
0 to 10	075001	075001
0 to 16	076001	076001
0 to 25	078001	078001
0 to 40	079001	079001
0 to 60	080901	080901
0 to 100	081901	081901
0 to 160	082901	082901
0 to 250	084901	084901
0 to 400	086901	086901
0 to 600	087001	087001
0 to 1000	088901	088901

Please note that items in bold are available from stock

TECHNICAL DATA

Type	2032	2033
Symbol		
Nominal size (mm)	63	
Accuracy class	1.6 according to Din 16005	
Over range protection	1.3 times full scale (temporary)	
Case	Stainless steel 1.4301 (304)	
Bezel	Stainless steel 1.4301 (304)	
Window	Trogamid T	
Dial	Aluminium, white background, black print to Din 16128	
Pointer	Aluminium, black finish to Din 16099	
Movement	Stainless steel 1.4301 (304)	
Wetted parts		
Measuring element		
≤40 Bar	Bourdon tube, 1.4571 (316Ti)	
≥60 Bar	Helical tube, 1.4571 (316Ti)	
Pressure connection	Stainless steel 1.4571 (316Ti)	
Connection thread	G¼A (¼" BSP)	
Liquid filling	Glycerine	
Pressure compensation	Via compensation diaphragm	
Temperature ranges		
- media	+80°C maximum	
- ambient	-25°C to +60°C	
Weight approx (Kg)	0.215	0.205

DIMENSIONS



Type 2032

All dimensions in mm

Type 2033

(fitted with optional mounting bracket 1370 054 001)

Other options are available including different scales (inches Hg/psi), safety glass, knife edge pointers and a mounting bracket for the 2033 series converting them to panel mounted versions