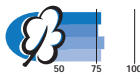
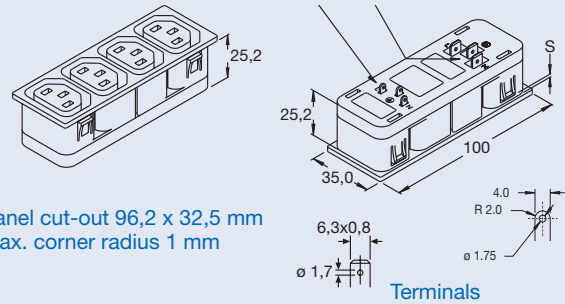


**Quadbloc  
Type 4752**

Module of 4 outlets  
Snap-in mounting from front  
Solder- and quick-connect terminals or solder terminals only or quick-connect terminals only  
Pin temperature 70 °C  
Protection class I



Solder- and quick-connect terminals 6,3 x 0,8 mm

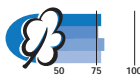


Panel cut-out 96,2 x 32,5 mm  
Max. corner radius 1 mm

Terminals

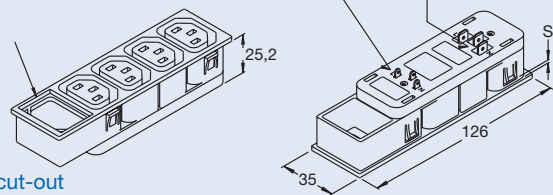
**Quadbloc + One  
Type 4754**

Module of 4 outlets,  
with additional carrier frame  
for accessory modules  
Snap-in mounting from front  
Solder- and quick-connect terminals or solder terminals only or quick-connect terminals only  
Pin temperature 70 °C  
Protection class I



Cut-out for 2 mm  
Snap-in Inlet

Solder- and quick-connect terminals 6,3 x 0,8 mm

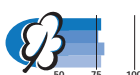


Panel cut-out  
122,1 x 32,5 mm  
Max. corner radius 1 mm

Terminals:  
see type 4752

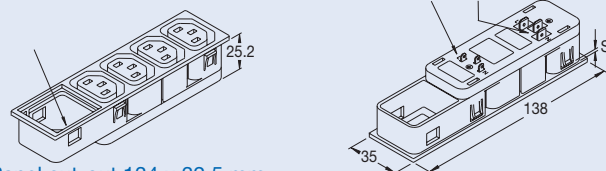
**Quadbloc + Two  
Type 4758**

Module of 4 outlets,  
with extended carrier frame  
for accessory modules  
Snap-in mounting from front  
Solder- and quick-connect terminals or solder terminals only or quick-connect terminals only  
Pin temperature 70 °C  
Protection class I



Cut-out for 2 mm  
Snap-in Inlet

Solder- and quick-connect terminals 6,3 x 0,8 mm



Panel cut-out 134 x 32,5 mm  
Max. corner radius 5 mm

Terminals:  
see type 4752

# APPLIANCE COUPLERS

4752, 4754, 4758

## Distribution units

### Application samples



**Quadbloc + one**  
with appliance inlet, type 6100 on page 154



**Quadbloc + two**  
with power entry module, type 6200 on page 33



**Quadbloc + two**  
with power entry module, type 6220 on page 33

#### Order no for type 6100

6100.4120	Solder terminals
	3,5 x 0,8 mm
6100.4220	Quick connect terminals
	4,8 x 0,8 mm
6100.4320	Quick connect terminals
	6,3 x 0,8 mm

#### Order no for type 6200

6200.4120	Solder terminals
	3,5 x 0,8 mm
6200.4220	Quick connect terminals
	4,8 x 0,8 mm
6200.4320	Quick connect terminals
	6,3 x 0,8 mm

#### Order no for type 6220

6220.5120	Solder terminals
	3,5 x 0,8 mm
6220.5220	Quick connect terminals
	4,8 x 0,8 mm
6220.5320	Quick connect terminals
	6,3 x 0,8 mm

### Details Types 4752 / 4754 / 4758

#### Technical data

- Rated current/voltage:  
10 A/250 VAC
- Insulation resistance:  
> 10 MΩ (500 VDC, 1 Min.)
- Dielectric strength:  
2 kV (50 Hz, 1 Min.),  
to accessible surfaces
- Material:  
Body thermoplastic, black,  
UL 94 V-0

#### Features

- Busbar is of single piece  
(no soldering)
- Cover on the rear side

#### Approvals

	VDE	(10 A / 250 VAC)
	CSA	(15 A / 250 VAC)
	UL	(15 A / 250 VAC)

#### Standards

Outlets  
IEC/EN 60320-2-2/F

Order Numbers			Order Numbers: Quadbloc + One			Panel thickness s mm
Solder- and quick-connect terminals	Quick-connect terminals	Solder terminals only	Solder- and quick-connect terminals	Quick-connect terminals	Solder terminals only	
6,3 x 0,8 mm	6,3 x 0,8 mm		6,3 x 0,8 mm	6,3 x 0,8 mm		mm
4752.3000	4752.3200	4752.3400	4754.3000	4754.3200	4754.3400	1,0
4752.8000	4752.8200	4752.8400	4754.8000	4754.8200	4754.8400	1,2
4752.4000	4752.4200	4752.4400	4754.4000	4754.4200	4754.4400	1,5
4752.5000	4752.5200	4752.5400	4754.5000	4754.5200	4754.5400	2,0
4752.6000	4752.6200	4752.6400	4754.6000	4754.6200	4754.6400	2,5
4752.7000	4752.7200	4752.7400	4754.7000	4754.7200	4754.7400	3,0

#### Order Numbers: Quadbloc + Two

Solder- and quick-connect terminals	Quick-connect terminals only	Solder terminals only	Panel thickness s mm
6,3 x 0,8 mm	6,3 x 0,8 mm		mm
4758.3000	4758.3200	4758.3400	1,0
4758.8000	4758.8200	4758.8400	1,2
4758.4000	4758.4200	4758.4400	1,5
4758.5000	4758.5200	4758.5400	2,0
4758.6000	4758.6200	4758.6400	2,5
4758.7000	4758.7200	4758.7400	3,0

Cord retaining clamp see page 171

Please note, all quadblocs are available in protection-class II upon request