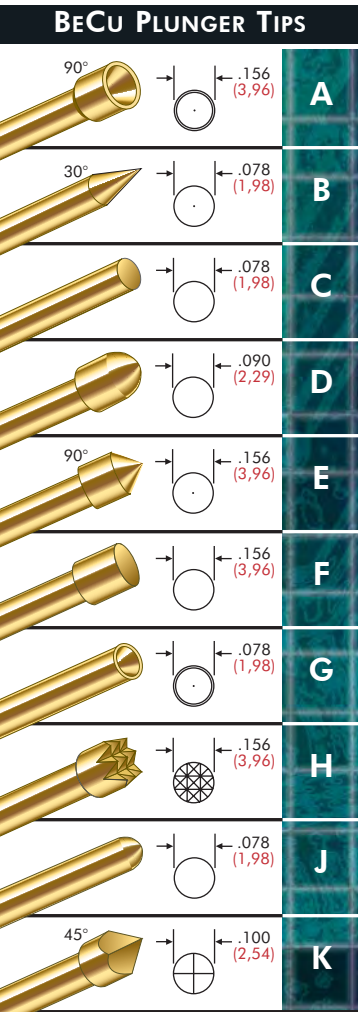


# Series S SIZE 4 .156 OR .187 CENTERS



## PROBE SPECIFICATIONS

**Minimum Centers:**  
 .156 (3,96) B, C, D, G, J, K  
 Tip Styles  
 .187 (4,75) A, E, F, H Tip Styles

**Current Rating:** 5 amps continuous

**Spring Force:** 5.0 or 7.0 oz.  
 @ .170 (4,32) travel

**Typical Resistance:** <20 mΩ

**Working Travel:** .170 (4,32)

Rated Force oz (gms)	Preload oz (gms)
5.0 (142)	2.0 (57)
7.0 (198)	2.8 (79)

## MATERIALS

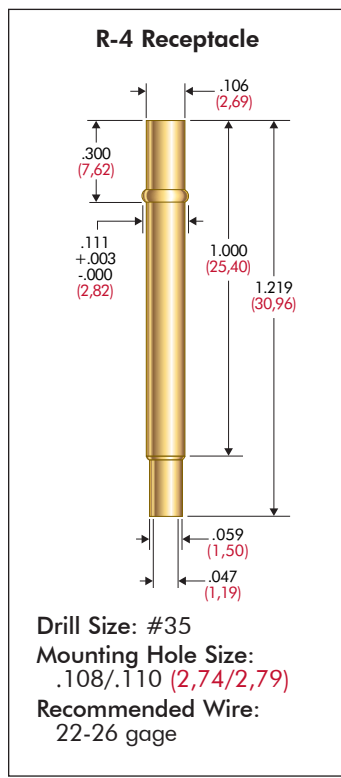
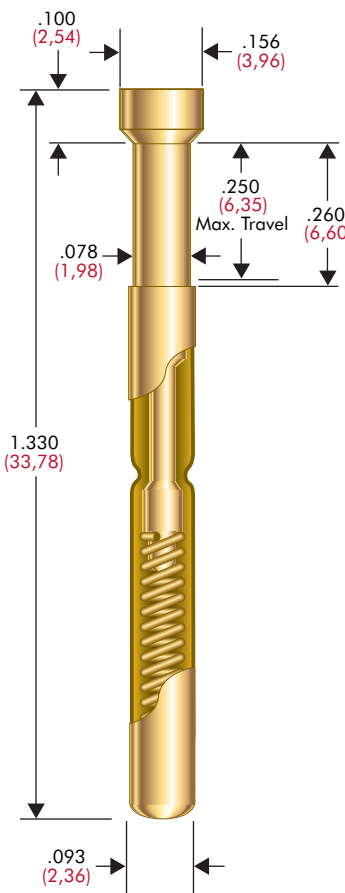
**Barrel:** Nickel/silver, gold plated

**Spring:** Stainless steel, gold plated

**Plunger:** Full-hard beryllium copper, gold plated over nickel or optional Duralloy™

**Receptacle:** Nickel/silver, gold plated, gold plated post

## S-4 PROBE



## RECEPTACLE OPTIONS

Part Number	Style	Receptacle Length	Probe/Receptacle Combined Length*	Comments
R-4-CR	Crimp	1.219 (30,96)	1.549 (39,34)	—
R-4-SC	Solder Cup	1.219 (30,96)	1.549 (39,34)	—
R-4-WW-429	Wire Wrap	1.648 (41,86)	1.978 (50,24)	.429 post length - .025 sq.

\* Headless probes sit .020" deeper in receptacle. Dimension shown is for headed probe.

## HOW TO ORDER: SPRING CONTACT PROBE RECEPTACLE

<b>S</b> SERIES	<b>4</b> SIZE	<b>A</b> TIP STYLE	<b>5</b> SPRING FORCE	<b>G</b> PLATING OPTIONS	<b>R</b> SERIES	<b>4</b> SIZE	<b>WW</b> TERMINATION	<b>429</b> POST LENGTH
<p><b>SPRING FORCE:</b>                      5.0 oz. @ .170 (4,32) travel                      7.0 oz. @ .170 (4,32) travel</p> <p><b>CRIMPING PLIERS:</b> CP4  <b>INSERTION TOOL:</b> RT4</p>					<p><b>PLATING OPTIONS:</b>  <b>G:</b> Gold Plated Plunger  <b>D:</b> Duralloy™ Plated Plunger</p> <p><b>TERMINATIONS:</b>  <b>CR:</b> Crimp  <b>SC:</b> Solder Cup  <b>WW:</b> Wire Wrap</p> <p><b>POST LENGTH:</b>  <b>WW:</b> 429</p>			

View updates of this information at [www.idinet.com](http://www.idinet.com)

Specifications subject to change without notice. Dimensions in inches (millimeters)