

GP Batteries

PRODUCT SPECIFICATION

GP Powerbank Smart 2 Model: GPPB14BSSA

Revision History

Revision	Date	Initiator	Reason for Change
00	9 September 2003	Bonnie lau	New release
01	10 August 2007	Ivy So	New Smart 2 replace for existing one

Prepared By	Approved By
Ivy So	Iris Lai
Date: 10 Aug 07	Date: 10 Aug 07

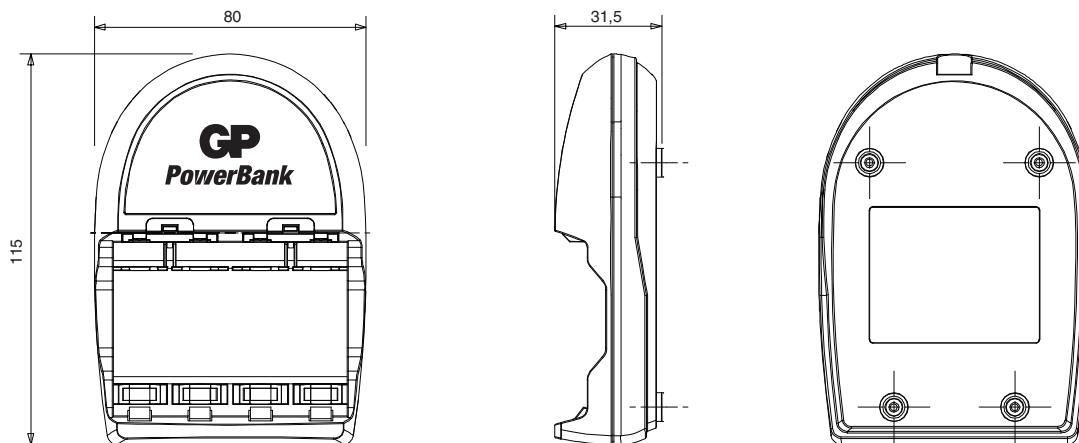
GPI International Limited

Gold Peak Building, 8/F, 30 Kwai Wing Road,
Kwai Chung, New Territories, Hong Kong.
Tel: (852) 2484 3333 Fax: (852) 24805912
Email: gpi@goldpeak.com
Website: <http://www.gpbatteries.com>

GP Batteries

Product Specification

Model No.: GPPB14BSSA



NOTE : It is safe to charge GP NiMH batteries continuously with GP PowerBank Smart 2.

Unit : mm

Product Name	:	GP PowerBank Smart 2
Description	:	One Hour Battery Charger (with external adaptor)
Input Voltage	:	AC100-240V 50/60Hz
Input Power	:	18W Max.
Application	:	For charging 1 to 4 pcs NiMH batteries (DO NOT mix AA and AAA size batteries in the same channel.)
Output Voltage	:	DC12V/1.5A
Charging Current	:	AA/NiMH 2000mA \pm 10% AAA/NiMH 1000mA \pm 10%
Trickle Charge Current	:	AA/NiMH 160mA \pm 10% AAA/NiMH 60mA \pm 10%
Charging Time (1-4 pcs)	:	

NiMH		
Size	Battery	Time(mins)
AA	2500 series	~70
AA	2300 series	~65
AA	2100 series	~60
AAA	950 series	~60
AAA	850 mAh	~60
AAA	750 mAh	~60

Termination methods	:	- ΔV 0-5mV; Temperature cutoff 55°C \pm 5°C; Safety timer 95 mins.
MTBF	:	30000 hours (at ambient temperature 25°C)
Operating Temperature	:	0°C to 45°C
Storage Temperature	:	-20°C to 45°C
Charge Indicator	:	LED for each channel; Orange LED ON for charging in process; LED OFF for fully charged; LED FLASH for primary or damaged batteries.
Dimensions	:	115(L) X 80(W) X 31.5(T)mm
Approval	:	CE
Warranty Period	:	12 months from ex-factory date



Manufacturer reserves the right to alter or amend the design, model and specification without prior notice.

11070107284