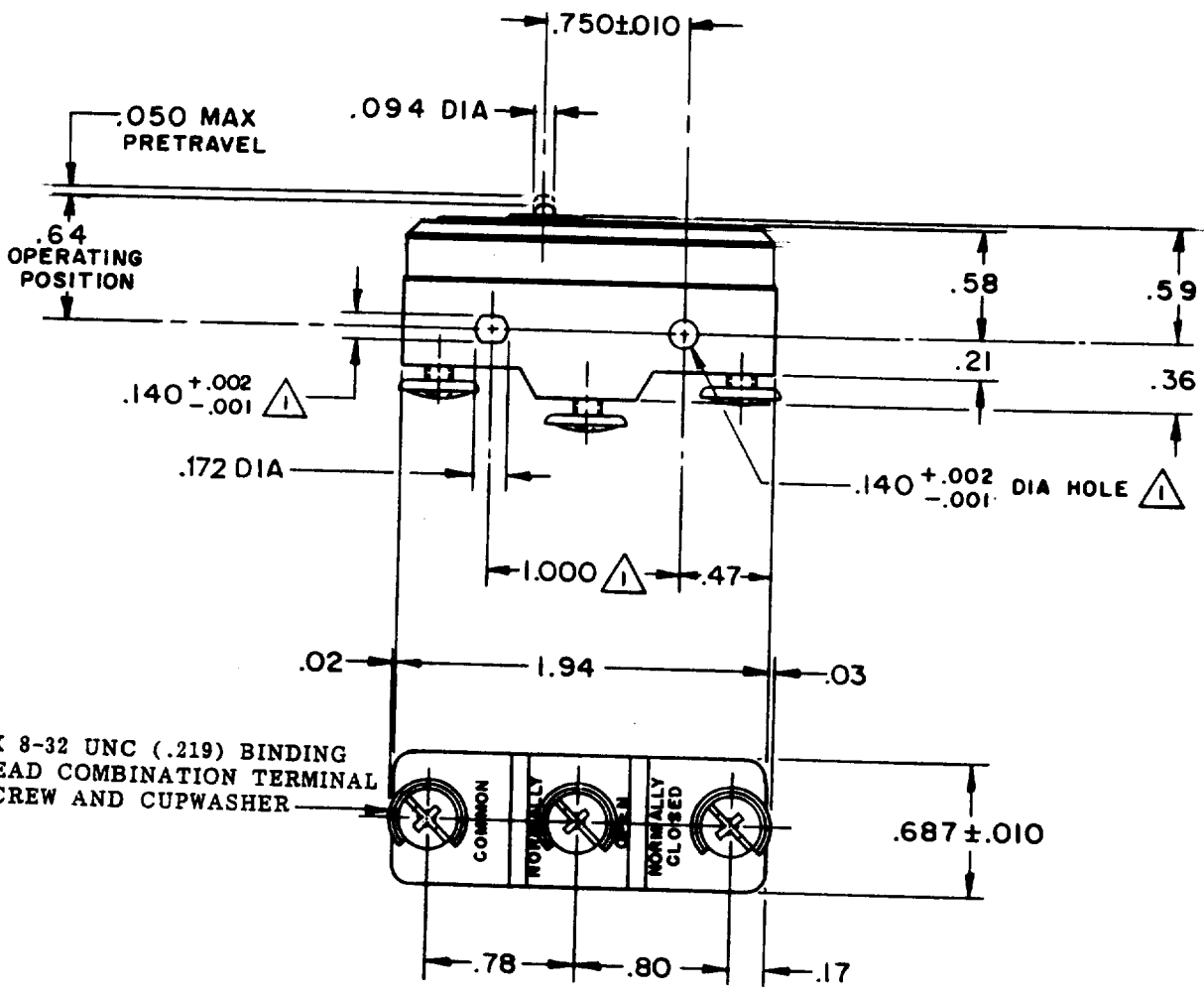


H MICRO SWITCH
 FREEPORT ILLINOIS
 A DIVISION OF HONEYWELL
 FED. MFG. CODE 91929

SWITCH-BASIC

CATALOG LISTING
BE-2R-A4

BE-2R-A4
 M
 DRAWING NUMBER
 ISSUE
 REVISIONS
 A CO18851 NOV 62
 B CO30432 MAY 72
 C CO 32144 JUL 73
 D CO30627
 E CO 58782 JAN 86
 F CO 73287-G OCT 93
 G CO 77588 MAR 94
 K D R
 CHECK
 DAW 14 NOV 62
 CHECK
 DAW 9 NOV 62
 DRAWN
 M B F
 FO-80378



3X 8-32 UNC (.219) BINDING HEAD COMBINATION TERMINAL SCREW AND CUPWASHER

NOTE -
 MOUNTING HOLES WILL ACCEPT PINS OR SCREWS OF $.139$ MAX DIA ON 1.000 CENTERS

THIS DRAWING COVERS A PROPRIETARY ITEM AND IS THE PROPERTY OF MICRO SWITCH, A DIVISION OF MINNEAPOLIS-HONEYWELL REGULATOR CO. THIS DRAWING IS NOT TO BE COPIED OR USED WITHOUT THE APPROVAL OF MICRO SWITCH.

CHARACTERISTICS

OPERATING FORCE --- 14 - 22 OZ
 RELEASE FORCE --- 10 OZ MIN
 DIFFERENTIAL TRAVEL --- .0020 - .0075
 OVERTRAVEL --- .010 MIN

ELECTRICAL DATA

CONTACT ARRANGEMENT
 S P D T

25-A-125, 250, 480 VAC 1 HP-125 VAC;
 2 HP-250 OR 480 VAC; PILOT DUTY
 750 VA-480 VAC, MAX; 60/75°C (Cu)

SCALE FULL
 DO NOT SCALE PRINT
 UNLESS OTHERWISE SPECIFIED
 DIMENSIONS ARE IN INCHES
TOLERANCES ARE:
 ONE PLACE (.0) $\pm .030$
 TWO PLACE (.00) $\pm .018$
 THREE PLACE (.000) $\pm .008$
 ANGLES \pm

WEIGHT .063 LB

