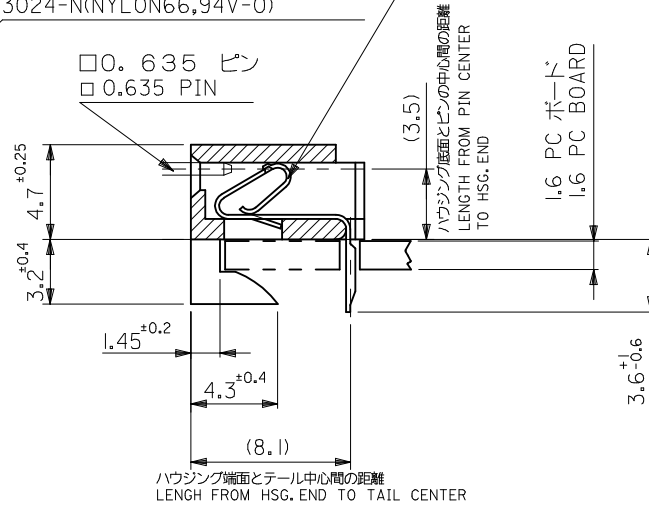


3024-N (ナイロン66, 94V-0)
3024-N(NYLON66,94V-0)

□0.635 ピン
□0.635 PIN



5193-1PBT (リン青銅, 錫メッキ)
5193-1PBT(PHOSPHOR BRONZE, TIN PLATE)

1.6 PC ボード
1.6 PC BOARD

基板取付穴推奨寸法

RECOMMENDED PC BOARD HOLE DIMENSION

22.5 ^{+0.15}	24.94	22-15-1102	3024-10AHPB	10
B	(A)	ORDER NO.	ENG NO.	NO. OF CKTS.
			MODEL NO.	3024-NAHPB

REVISED EC NO: J2010-0362 DRWRT: SURUOKA 2009/09/09 CHKD: THARUYAMA 2009/09/10 APPR: HIRATA 2009/09/10	GENERAL TOLERANCES (UNLESS SPECIFIED)		DIMENSION STYLE MM ONLY	SCALE 4:1	DESIGN UNITS METRIC	THIRD ANGLE PROJECTION
	10 UNDER	±---	DRAWN BY H. IJIMA	DATE '96/7/4	TITLE KK2.5 SOL REC HSG ASSY	
	10 OVER 30 UNDER	±---	CHECKED BY M. FUKUSHIMA	DATE '96/7/4	MATERIAL NO. SD-3024-001	
	30 OVER	±---	APPROVED BY M. ENOMOTO	DATE '96/7/4	SHEET NO. 1 OF 1	
	ANGULAR ±---°	DRAFT WHERE APPLICABLE MUST REMAIN WITHIN DIMENSIONS	SIZE A3	THIS DRAWING CONTAINS INFORMATION THAT IS PROPRIETARY TO MOLEX INCORPORATED AND SHOULD NOT BE USED WITHOUT WRITTEN PERMISSION		

注記
NOTE

() 内寸法は参考値
() DIMENSION ARE FOR REFERENCE