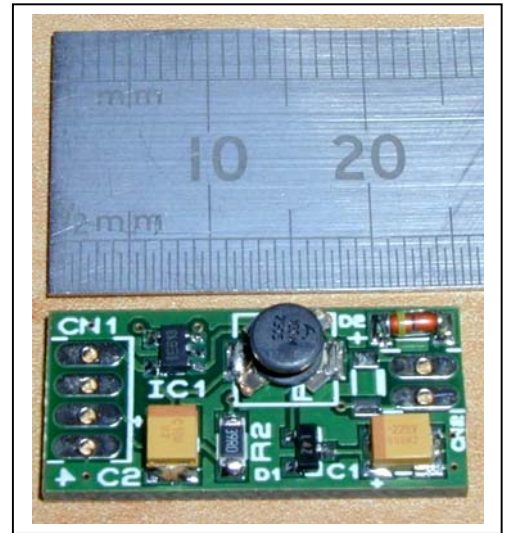


LEDV1

LEDV1 is a small board designed to drive the LED back light of various LCD displays.

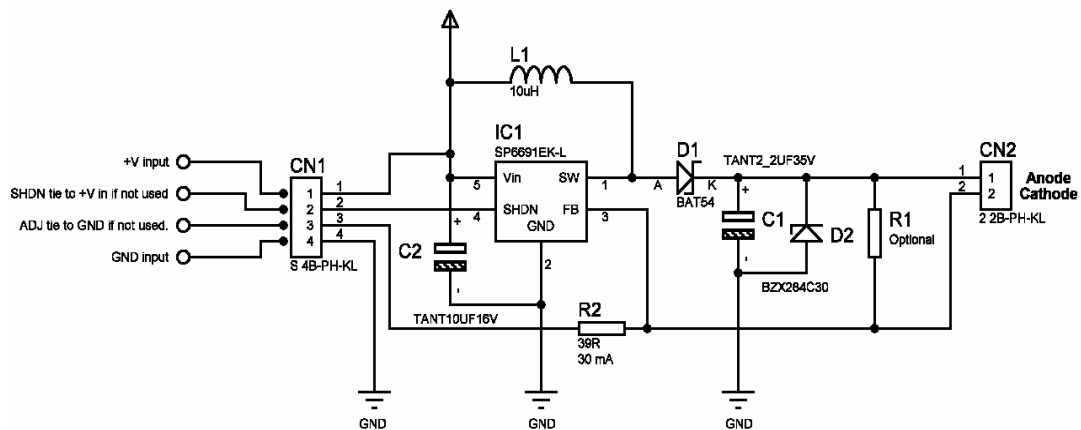
FEATURES

- High Output Voltage: Up to 30V.
- Optimized for Single Supply, typically 3.3v to 12.0v input.
- High Efficiency: Greater Than 75%.
- Dimensions 25 x 12 x 5 mm.



CN1 input connector. 4 way 2mm pitch.	Description
1	+V Input 3.3v to 12V
2	SHDN High to turn on. Low to shut down.
3	ADJ Brightness adjustment via 1K pot to ground.
4	GND Ground Input.

CN2 output connector. 2 way 2mm pitch.	Description
1	A LED Anode connection +.
2	K LED cathode connection -.



Notes:

- 1) Current can be set by setting R2 resistance to ground. $I = 1.22/R2$.
 20R = 60mA
 39R = 30mA
 56R = 22mA
- 2) D2 is a 30V zener used to clamp the output voltage if the output connector is open circuit. Take care of excessive power dissipation in D2 if the current is high.
- 3) Please refer to the Sipex SP6691 specification for more details.

SUPLIED BY : MIDAS COMPONENTS LTD - 01493 602602 – www.midascomponents.co.uk