

## Filter Inductors, High Current, Radial Leaded



### ELECTRICAL SPECIFICATIONS

**Inductance:** Measured at 1.0 V with zero DC current

**Incremental Current:** The typical current at which the inductance will be decreased by 5 % from its initial zero DC value

**Operating Temperature:** - 55 °C to + 125 °C (no load),  
- 55 °C to + 75 °C (at full rated current)

### FEATURES

- Printed circuit mounting
- Pre-tinned leads
- Protected by polyolefin tubing - flame retardant UL type VW-1 per MIL-I-23053/5, class 3 requirements
- Compliant to RoHS directive 2002/95/EC



**RoHS**  
COMPLIANT

### APPLICATIONS

Noise filtering for switching regulators, power amplifiers, power supplies and SCR and Triac control circuits

**Current Rating:** Maximum continuous operating current (DC or RMS) based on a 50 °C temperature rise

### MECHANICAL SPECIFICATIONS

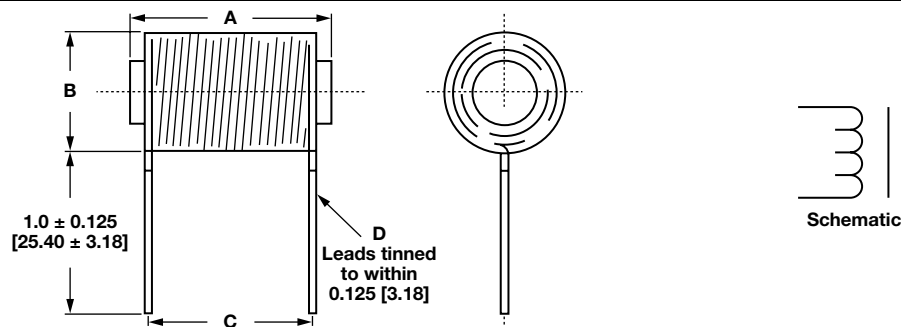
**Wire:** Solid soft copper

**Terminals:** Extensions of the winding

**Core Material:** Ferrite

**Coating:** Polyolefin tubing

### DIMENSIONS in inches [millimeters]



MODEL	A (MAX.)	B (MAX.)	C ± 0.062 [± 1.57]	D ± 0.005 [± 0.127]
IH-3	0.875 [22.23]	0.600 [15.24]	0.500 [12.70]	0.042 [1.067]
IH-3	1.125 [28.58]	0.625 [15.88]	0.687 [17.45]	0.042 [1.067]
IH-3	0.875 [22.23]	0.800 [20.32]	0.437 [11.10]	0.042 [1.067]
IH-3	0.875 [22.23]	0.800 [20.32]	0.750 [19.05]	0.042 [1.067]
IH-3	1.125 [28.58]	0.800 [20.32]	0.937 [23.80]	0.042 [1.067]
IH-3	1.375 [34.93]	0.800 [20.32]	1.062 [26.97]	0.042 [1.067]
IH-3	1.625 [41.28]	0.800 [20.32]	1.312 [33.32]	0.042 [1.067]
IH-5	0.875 [22.23]	0.625 [15.88]	0.750 [19.05]	0.053 [1.35]
IH-5	1.125 [28.58]	0.625 [15.88]	1.000 [25.40]	0.053 [1.35]
IH-5	0.875 [22.23]	0.840 [21.34]	0.562 [14.27]	0.053 [1.35]
IH-5	1.125 [28.58]	0.840 [21.34]	0.750 [19.05]	0.053 [1.35]
IH-5	1.125 [28.58]	0.860 [21.84]	0.875 [22.23]	0.053 [1.35]
IH-5	1.375 [34.93]	0.860 [21.84]	1.000 [25.40]	0.053 [1.35]
IH-5	1.625 [41.28]	0.860 [21.84]	1.250 [31.75]	0.053 [1.35]
IH-10	1.125 [28.58]	0.635 [16.13]	0.812 [20.62]	0.065 [1.65]
IH-10	1.375 [34.93]	0.635 [16.13]	1.218 [30.94]	0.065 [1.65]
IH-10	1.125 [28.58]	0.935 [23.75]	0.687 [17.45]	0.065 [1.65]
IH-10	1.375 [34.93]	0.935 [23.75]	0.937 [23.80]	0.065 [1.65]
IH-10	1.375 [34.93]	0.935 [23.75]	1.125 [28.58]	0.065 [1.65]
IH-10	1.625 [41.28]	0.935 [23.75]	1.312 [33.32]	0.065 [1.65]
IH-15	1.375 [34.93]	0.700 [17.78]	0.937 [23.80]	0.082 [2.08]
IH-15	1.687 [42.85]	0.700 [17.78]	1.500 [38.10]	0.082 [2.08]
IH-15	1.375 [34.93]	1.000 [25.40]	0.937 [23.80]	0.082 [2.08]
IH-15	1.625 [41.28]	1.000 [25.40]	1.125 [28.58]	0.082 [2.08]



STANDARD ELECTRICAL SPECIFICATIONS					
MODEL	IND. AT 1 kHz (μH)	TOL. (%)	DCR MAX. (Ω)	RATED DC CURRENT (mA)	INCREMENTAL CURRENT (mA)
IH-3	5	± 10	0.015	10 000	25 000
IH-3	10	± 10	0.018	9000	19 000
IH-3	27	± 10	0.035	7000	12 000
IH-3	50	± 10	0.050	5600	8000
IH-3	100	± 10	0.065	5200	6000
IH-3	150	± 10	0.075	5000	5000
IH-3	250	± 10	0.090	5000	4000
IH-5	5	± 10	0.012	14 000	25 000
IH-5	10	± 10	0.015	12 000	19 000
IH-5	27	± 10	0.025	9000	13 000
IH-5	50	± 10	0.030	8000	10 000
IH-5	68	± 10	0.035	7500	9000
IH-5	100	± 10	0.050	7500	7000
IH-5	150	± 10	0.060	7000	5000
IH-10	5	± 10	0.010	19 000	25 000
IH-10	10	± 10	0.012	16 000	19 000
IH-10	27	± 10	0.018	12 500	12 000
IH-10	50	± 10	0.025	11 000	10 000
IH-10	68	± 10	0.027	10 000	8000
IH-10	100	± 10	0.030	10 000	7000
IH-15	5	± 10	0.008	24 000	25 000
IH-15	10	± 10	0.010	20 000	19 000
IH-15	27	± 10	0.015	16 000	14 000
IH-15	50	± 10	0.020	15 000	10 000

MARKING
<ul style="list-style-type: none"> <li>- Vishay Dale</li> <li>- Model</li> <li>- Inductance value</li> <li>- Date code</li> </ul>

ORDERING INFORMATION				
IH-5	10 μH	± 10 %	EB	e2
MODEL	INDUCTANCE VALUE	INDUCTANCE TOLERANCE	PACKAGE CODE	JEDEC LEAD (Pb)-FREE STANDARD

GLOBAL PART NUMBER			
I	H	0	5
MODEL			
E	B		
PACKAGE CODE			
1	0	0	
INDUCTANCE VALUE			
			K
INDUCTANCE TOLERANCE			



## Disclaimer

All product specifications and data are subject to change without notice.

Vishay Intertechnology, Inc., its affiliates, agents, and employees, and all persons acting on its or their behalf (collectively, "Vishay"), disclaim any and all liability for any errors, inaccuracies or incompleteness contained herein or in any other disclosure relating to any product.

Vishay disclaims any and all liability arising out of the use or application of any product described herein or of any information provided herein to the maximum extent permitted by law. The product specifications do not expand or otherwise modify Vishay's terms and conditions of purchase, including but not limited to the warranty expressed therein, which apply to these products.

No license, express or implied, by estoppel or otherwise, to any intellectual property rights is granted by this document or by any conduct of Vishay.

The products shown herein are not designed for use in medical, life-saving, or life-sustaining applications unless otherwise expressly indicated. Customers using or selling Vishay products not expressly indicated for use in such applications do so entirely at their own risk and agree to fully indemnify Vishay for any damages arising or resulting from such use or sale. Please contact authorized Vishay personnel to obtain written terms and conditions regarding products designed for such applications.

Product names and markings noted herein may be trademarks of their respective owners.