

Type: **T3-2-8211/I2**  
 Article No.: **207178**

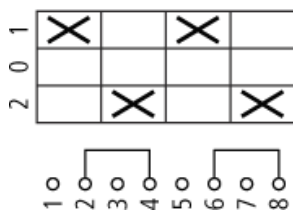


With black thumb-grip and grey front plate

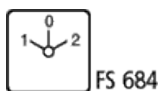
### Ordering information

Design			Surface mounting
Description			With 0 (Off) position
No. of poles		M	2
Max. three-phase motor rating (per set of 3 contacts) 50-60 Hz AC-3 400/415 V 50-60 Hz	<i>P</i>	kW	22
Rated uninterrupted current	<i>I<sub>u</sub></i>	A	32
Description			With 0 (Off) position

### Contact sequence



### Front plate no.



## General

Standards			IEC/EN 60947, VDE 0660, IEC/EN 60204, CSA, UL Switch-disconnectors to IEC/EN 60947-3 Load-break switches to IEC/EN 60947-3
Lifespan, mechanical	Operations	$\times 10^6$	0,5
Maximum operating frequency	Operations/h		3000
Climatic proofing			Damp heat, constant, to IEC 60068-2-78; Damp heat, cyclical, to IEC 60068-2-30
Ambient temperature			
Open		°C	-25/50
Enclosed		°C	-25/40
Mounting position			As required
Documentation			Main catalogue HPL
Mechanical shock resistance (shock duration 20 ms)		g	> 15

## Contacts

Rated operational voltage	$U_e$	V AC	690
Rated impulse withstand voltage	$U_{imp}$	V AC	6000
Overtoltage category/pollution degree			III/3
Rated uninterrupted current			
open	$I_u$	A	32
Enclosed	$I_u$	A	32
Load-carrying capacity in intermittent operation, Class 12			
AB 25 % DF		$\times I_e$	2
AB 40 % DF		$\times I_e$	1,6
AB 60 % DF		$\times I_e$	1,3
Short-circuit rating			
Fuse		A gG/gL	35
Rated short-time withstand current (1 s current)	$I_{cw}$	$A_{rms}$	650
Safe isolation to VDE 0106 Part 101 and Part 101/A1			
between the contacts		V AC	440
Switching angles		°	90 60 45

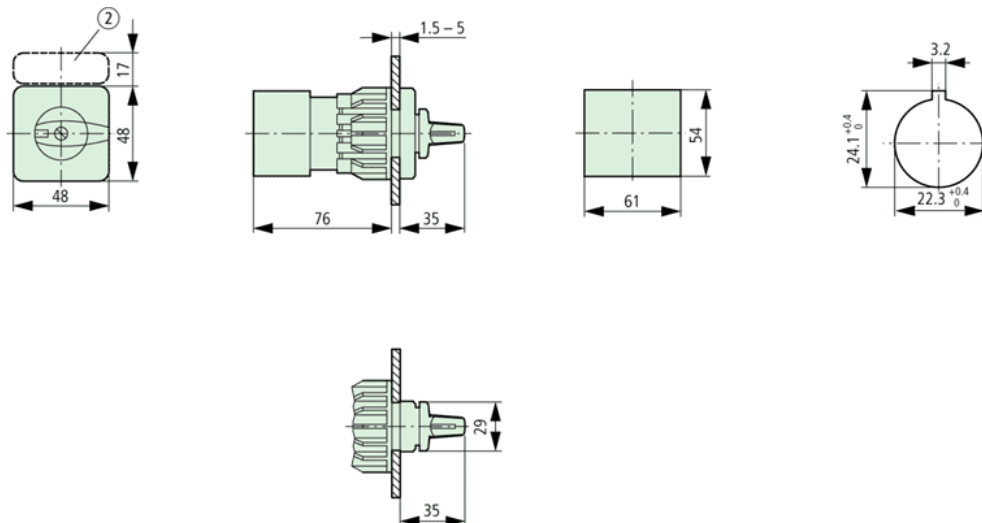
			30
Contact units			11
Double-break contacts			max. 22
Current heat loss per contact at $I_e$		W	1,1
<b>Terminal capacities</b>			
Solid or stranded		mm <sup>2</sup>	1 × (1 – 6) 2 × (1 – 6)
Flexible with ferrule to DIN 46228		mm <sup>2</sup>	1 × (0.75 – 4) 2 × (0.75 – 4)
Terminal screw			M4
Tightening torque		Nm	1.6
<b>Switching capacity</b>			
AC			
Rated making capacity $\cos \phi = 0.35$		A	320
Rated breaking capacity, motor load switch $\cos \phi = 0.35$			
230 V		A	260
400 V		A	260
500 V		A	240
690 V		A	170
Rated operational current 440 V load-break switch AC-21A	$I_e$	A	32
AC-3 motor load switch motor rating			
230 V	$P$	kW	3
230 V Star-delta	$P$	kW	11
400 V	$P$	kW	5,5
400 V Star-delta	$P$	kW	18,5
500 V	$P$	kW	15
500 V Star-delta	$P$	kW	22
690 V	$P$	kW	15
690 V Star-delta	$P$	kW	22
AC-23A Motor load switches (main switches maintenance switches)			
230 V	$P$	kW	7,5
400 V	$P$	kW	22
500 V	$P$	kW	15
Rated operational current control switch AC-15			

230 V	$I_e$	A	10
400 V	$I_e$	A	6
500 V	$I_e$	A	4
DC			
DC-1, Load-break switches L/R = 1 ms			
Rated operational current	$I_e$	A	25
Voltage per contact pair in series		V	60
DC-21A			
Rated operational current 240 V	$I_e$	A	1
240 V Contacts		Quantity	1
DC-23A, Motor load switches L/R = 15 ms			
24 V			
Rated operational current	$I_e$	A	25
Contacts		Quantity	1
48 V			
Rated operational current	$I_e$	A	25
Contacts		Quantity	2
60 V			
Rated operational current	$I_e$	A	25
Contacts		Quantity	3
120 V			
Rated operational current	$I_e$	A	12
Contacts		Quantity	3
240 V			
Rated operational current	$I_e$	A	5
Contacts		Quantity	5
DC-13, Control switches L/R = 50 ms			
Rated operational current	$I_e$	A	20
Voltage per contact pair in series		V	32
Control circuit reliability at 24 V DC, 10 mA	Fault probability	$H_F$	$< 10^{-5}$ , < 1 fault in 100000 operations
<b>Notes</b>			
			For mechanical shock resistance: T3.../I... >12g Applies to T0(3).../SVB: isolating characteristics to IEC/EN 60947 Ufor rated operational voltage up to 500

			<p>V AC</p> <p>Applies to rated uninterrupted current <math>I_u</math> of the contact: with T5-4-8344/I5 max. 95 A</p> <p>For terminal capacity solid, stranded and flexible:  T0(3), (6), (8)...: Maximum of 2 cross-section sizes difference admissible between 2 conductors  T5(B)-...: Maximum of 1 cross-section size difference admissible between 2 conductors</p> <p>For type T8-3-8342/... the following applies: switching angle = 90° and flat connection = 1 busbar 25 × 5 or 2 busbars 20 × 3</p>
--	--	--	--

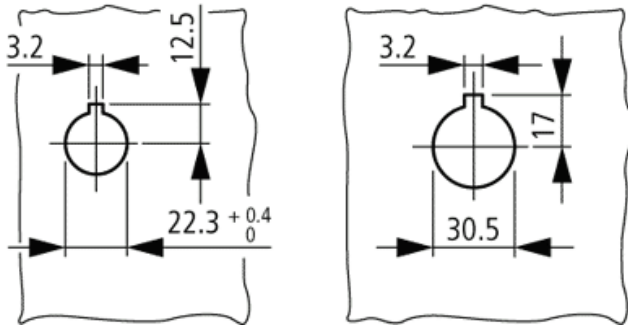
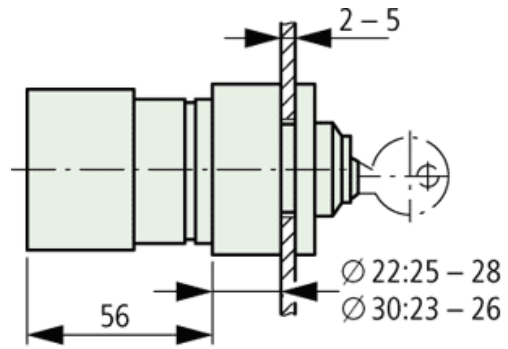
<b>Dimensions</b>		
		not included
		T3-2-.../EZ "Y T3-2-.../E + EZ-T0 + S-(SOND-)T0
Explanation		<p>For utilisation category AC-4 (extreme load: 100 % inching, reversing or plugging)</p> <p>The blocked rotor current of the motor should not exceed the rated current of the switch for AC-21A to ensure a reasonable device lifespan.</p>

### Dimensions



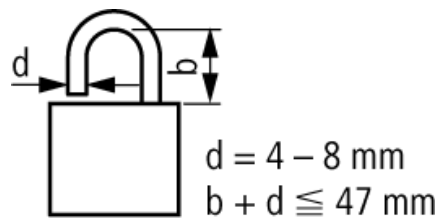
---

## Dimensions



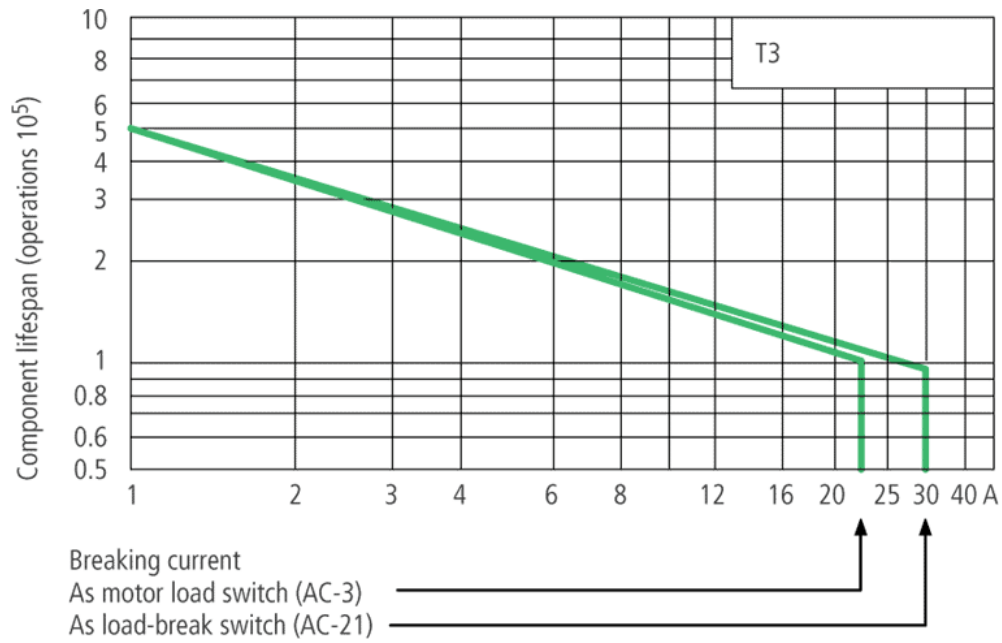
---

## Dimensions



---

## Characteristic curve



Moeller GmbH, Hein-Moeller-Str. 7-11, D-53115 Bonn  
 E-Mail: [catalog@moeller.net](mailto:catalog@moeller.net), Internet: [www.moeller.net](http://www.moeller.net), <http://catalog.moeller.net>  
 Copyright 2006 by Moeller GmbH. Subject to modifications. HPL-C2006GB-INT V2.3