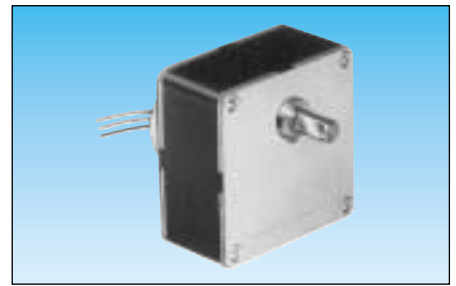


Single direction synchronous geared motors

- Constant speed, dependent on supply frequency
- Speeds from 0.24 rpm to 24 rpm
- Direction of rotation controlled by long-life mechanical anti-return (> 10⁶ starts)
- Permanent magnet rotor
- UL, CSA, VDE approved, comply with IEC standards.



Applications

- Office equipment
- Medical equipment
- Motorised displays
- Moving light displays
- Pumps

Made to order products, non stocked

- Motor :**
- other voltages/frequencies
 - lead length

- Gearbox :**
- other output speeds
 - special shaft
 - ball bearing
 - special lubrication

Type

	80 337 5	80 337 5
--	----------	----------

Voltage and frequency

	230 V 50 Hz	230 V 50 Hz
--	-------------	-------------

Direction of rotation

	Anti-clockwise	Clockwise
--	----------------	-----------

Output speeds (rpm)

Ratios (i)

Part numbers

24
14.40
9.60
7.20
4.80
2.40
1.20
0.80
0.24

25
41.66
62.5
83.33
125
250
500
750
2500

80 337 506	80 337 507
80 337 509	80 337 508
•	•
•	•
80 337 514	80 337 515
80 337 516	80 337 517
80 337 519	80 337 518
•	•
80 337 523	80 337 522

Standard gearbox shaft: see dimensions

General characteristics

Motor		82 330 5	82 330 5
Gearbox		81 037 0	81 037 0
Maximum permitted continuous rated gearbox output torque for 1 million gearbox revolutions	N.m	5	5
Radial load (static)	daN	2	2
Axial load (static)	daN	3	3
Absorbed power	W	3.5	3.5
Usable motor power	W	0.42	0.42
Maximum temperature rise	°C	55	55
Ambient temperature	°C	-5 +60	-5+60
Weight	g	480	480
Lead length (approx..)	mm	250	250
Protection		IP40	IP40

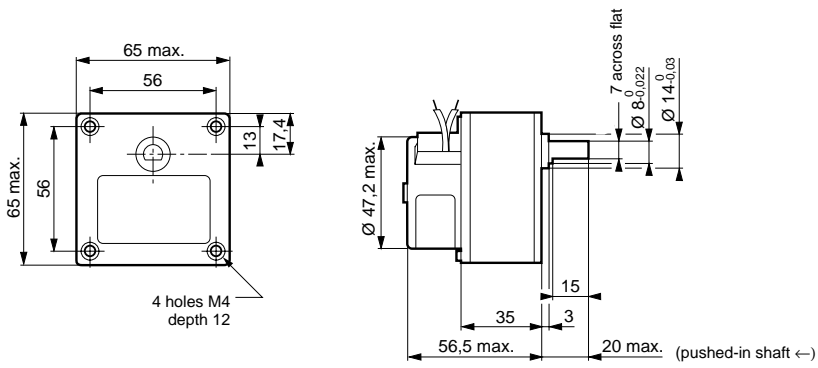
Options : for made to order products non stocked

Voltages / Frequencies	24-115 V 60 Hz	•	•
	24 V 50 Hz	•	•
	24-48 V 50 Hz	•	•
	115-230 V 50 Hz	•	•
8Ø round shaft 79 206 478 (see page 2/21)		•	•
For version with no anti-return (SAR version) see page 2/6		•	•

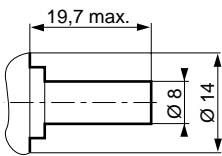
Other information

For basic principles, see page 2/6

Dimensions
80 337 5



Shaft 79 206 478
(pushed-in shaft ←)



To order, specify :

Standard products	4 Part number Example : Synchronous geared motor - 80 337 506
Standard products, non stocked	1 Type 2 Voltage / frequency 3 Direction of rotation 4 Output speed 5 Option Example : Synchronous geared motor 80 337 5 - 115 V 50 Hz - Clockwise - 24 rpm
● Products available to order, please consult us	