

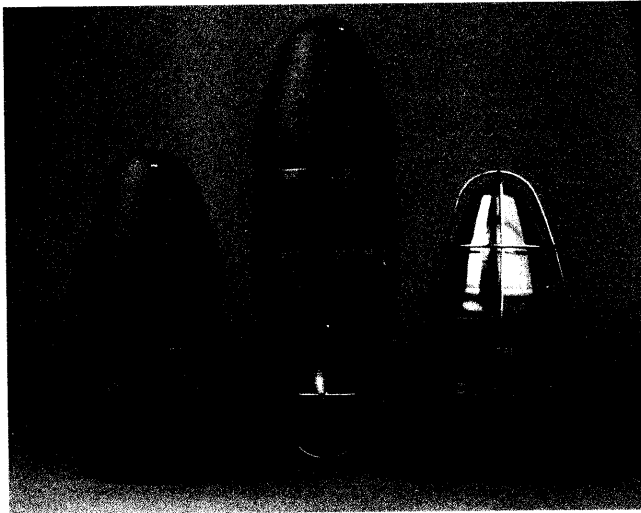


Clifford & Snell



Explosion Proof Audible & Visual

Alarm Yodalex

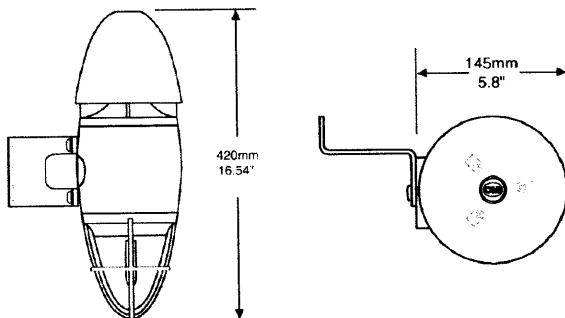
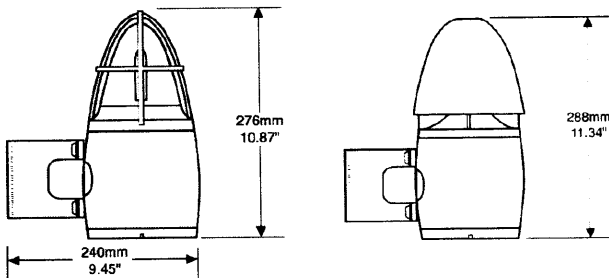


YO6

YL6

V6

Dimensions (mm)



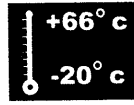
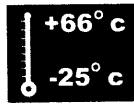
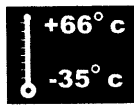
All dimensions quoted are approximate only and subject to change without notice as are technical features resulting from continual development and improvement

Main Features

- Omni Directional high output sounder
- 2 stage alarm
- All units share a common explosion proof housing
- Reduced installation costs
- Meets Universal approval
- Low current consumption
- Dual cable entry, cable in – cable out
- 32 selectable tones meeting international regulations
- Independently selectable 2nd stage
- LM6 aluminium enclosure
- Borosilicate glass dome for strength and protection
- Weather proof flame retardant ABS horn
- 7 lens colours in flame retardant polycarbonate, Clear, Opal, Yellow, Red, Amber, Blue, Green
- Stainless steel fasteners
- Lens guard provided as standard
- Designed to meet UL, Cenelec, Canadian and Demko Approvals
- Complies with PFEER regulations
- Sound selection via DIL switches

Technical Specification

- IP66 NEMA 4X
- Sounder dc (YO6) 110dB @ 1 mtr 350mA
- Strobe dc (V6) 5 Joules 220mA
- Sounder/Strobe dc (YL6) 570mA
- Sounder 115Vac (YO6) 110dB @ 1 mtr 110mA
- 230Vac 55mA
- Strobe 115Vac (V6) 5 Joules 90mA
- 230Vac 45mA
- Sounder/Strobe 115Vac (YL6) 200mA
- 230Vac 100mA
- Flash rate 1 per second
- Operating Voltage 24 Vdc
- 115Vac 230Vac (DEMKO) approved only



V6

YO6

YL6

IIB only

Class 1 Div 1

Euro IIB + H2

Yodalex

Explosion Proof Sounder

Tone Table

First Stage Signal	Freq.	Sound switches					Rep Rate (sec.)	Special application
		1	2	3	4	5		
1 Alternate two-tone	800-1000	1	1	1	1	1	0.5	Fire alarms
2 Alternate two-tone	2500-3100	0	1	1	1	1	0.5	Security alarms
3 Alternate fast two-tone	800-1000	1	0	1	1	1	0.25	Increased urgency
4 Alternate fast wo-tone	2500-3100	0	0	1	1	1	0.25	Security deterrent
5 Alternate two-tone	440-554	1	1	0	1	1	0.4/0.1	AFNOR, FRANCE
6 Alternate two-tone	430-470	0	1	0	1	1	1.0	
7 Alternate v.fast two-tone	800-1000	1	0	0	1	1	0.13	
8 Alternate v.fast two-tone	2500-3200	0	0	0	1	1	0.07	
9 Alternate two-tone	440-554	1	1	1	0	1	2.0	Turn-out, SWEDEN
10 Continuous note	700	0	1	1	0	1	-	All-clear, SWEDEN
11 Continuous note	1000	1	0	1	0	1	-	
12 Continuous note	1000	0	0	1	0	1	-	
13 Continuous note	2300	1	1	0	0	1	-	
14 Continuous note	440	0	1	0	0	1	-	
15 Interrupted tone	1000	1	0	0	0	1	2.0	
16 Interrupted tone	420	0	0	0	0	1	1.25	AS2220, AUSTRALIA
17 Interrupted tone	1000	1	1	1	1	0	0.5	
18 Interrupted tone	2500	0	1	1	1	0	0.25	
19 Interrupted tone	2500	1	0	1	1	0	0.5	
20 Interrupted tone	700	0	0	1	1	0	6/12	Pre-vitalmessage SWEDEN
21 Interrupted tone	1000	1	1	0	1	0	1.0	
22 Interrupted tone	700	0	1	0	1	0	4.0	Air-raid alarm, SWEDEN
23 Interrupted tone	700	1	0	0	1	0	0.25	Local warning, SWEDEN
24 Interrupted tone	720	0	0	0	1	0	0.7/0.3	Industrial alarm, GERMANY
25 Int.fast, rising volume	1400	1	1	1	0	0	0.25	
26 Fast siren	250-1200	0	1	1	0	0	0.085	
27 Rising constant, fall	1000	1	0	1	0	0	10/40/10	Industrial alarm, GERMANY
28 ISO 8201 Evacuation	800-1000	0	0	1	0	0	As std	Int'l evacuation alarm
29 Fast whoop	500-1000	1	1	0	0	0	0.15	
30 Slow whoop	500-1200	0	1	0	0	0	4.5	Evacuation, The Netherlands
31 Reverse sweep	1200-500	1	0	0	0	0	1.0	Evacuation, GERMANY
32 Siren	500-1200	0	0	0	0	0	3.0	

For alarm types YO6 and YL6, the chosen sound signal is selected on a DIL switch. The appropriate switch positions are given in the instructions. Any sound signal may be selected for a second stage alarm independently of the choice of the first signal.

Operating Temperatures:

-35deg C to +66 deg C European IIB
 -20deg C to +66 deg C European IIB+H₂
 -25deg C to +66 deg C Class I Div 1

Mounting:

Bracket mounting holes 8 mm dia. Pitch 75 mm

Approval Specification

Underwriters Laboratories UL Standards

UL 1203, UL 464, UL 1638, Control No. 8N30 (Sounder YO6 and Combined Unit YL6)
 Control No. 13JM (Strobe Only V6)

UL Classifications

Class I Division 1, Gas Group BCD
 Class II Division 1 Gas Group EFG (Strobe only V6)

ULC Canada

CSA C22.2 No. 30-M1986, CSA C22.2 No. 25-M1966

European Standards

EN.50.014.1992, EN.50.018.1994, Cert No. 97E 122899

European Classifications

EEx.d.IIB T6, EEx.d.IIB.+ H₂ T6

Yodalex Explosion Proof Sounder

How To Order Yodalex

Sounder Type	YO6	YA60				
Strobe Type	V6	FL60				
Combined Sounder Strobe Type	YL6	YL60				
European model USA model	<div style="display: flex; justify-content: space-around; align-items: center;"> <div style="border-left: 1px solid black; border-right: 1px solid black; width: 100%; height: 20px;"></div> </div>					
Gas Groups	Europe IIB B IIB+H ₂ C USA Gas group C,D C Gas group B B	<div style="display: flex; justify-content: space-around; align-items: center;"> <div style="border-left: 1px solid black; border-right: 1px solid black; width: 100%; height: 20px;"></div> </div>				
Supply Voltage	24Vdc D 115Vac L 230Vac N	<div style="display: flex; justify-content: space-around; align-items: center;"> <div style="border-left: 1px solid black; border-right: 1px solid black; width: 100%; height: 20px;"></div> </div>				
Lens Colours	Amber A Blue B Green G Opal O Red R Yellow Y Clear C	<div style="display: flex; justify-content: space-around; align-items: center;"> <div style="border-left: 1px solid black; border-right: 1px solid black; width: 100%; height: 20px;"></div> </div>				
Certification	European EU USA (ULC) UL	<div style="display: flex; justify-content: space-around; align-items: center;"> <div style="border-left: 1px solid black; border-right: 1px solid black; width: 100%; height: 20px;"></div> </div>				

Clifford & Snell



A Division of Signature Industries

Tom Cribb Road, Thamesmead,
London SE28 0BH

Tele: 44 (0) 208 3171717

Fax: 44 (0) 208 3172400

Web Site: www.signatureindustries.com

Email: cliffordandsnell@aol.com