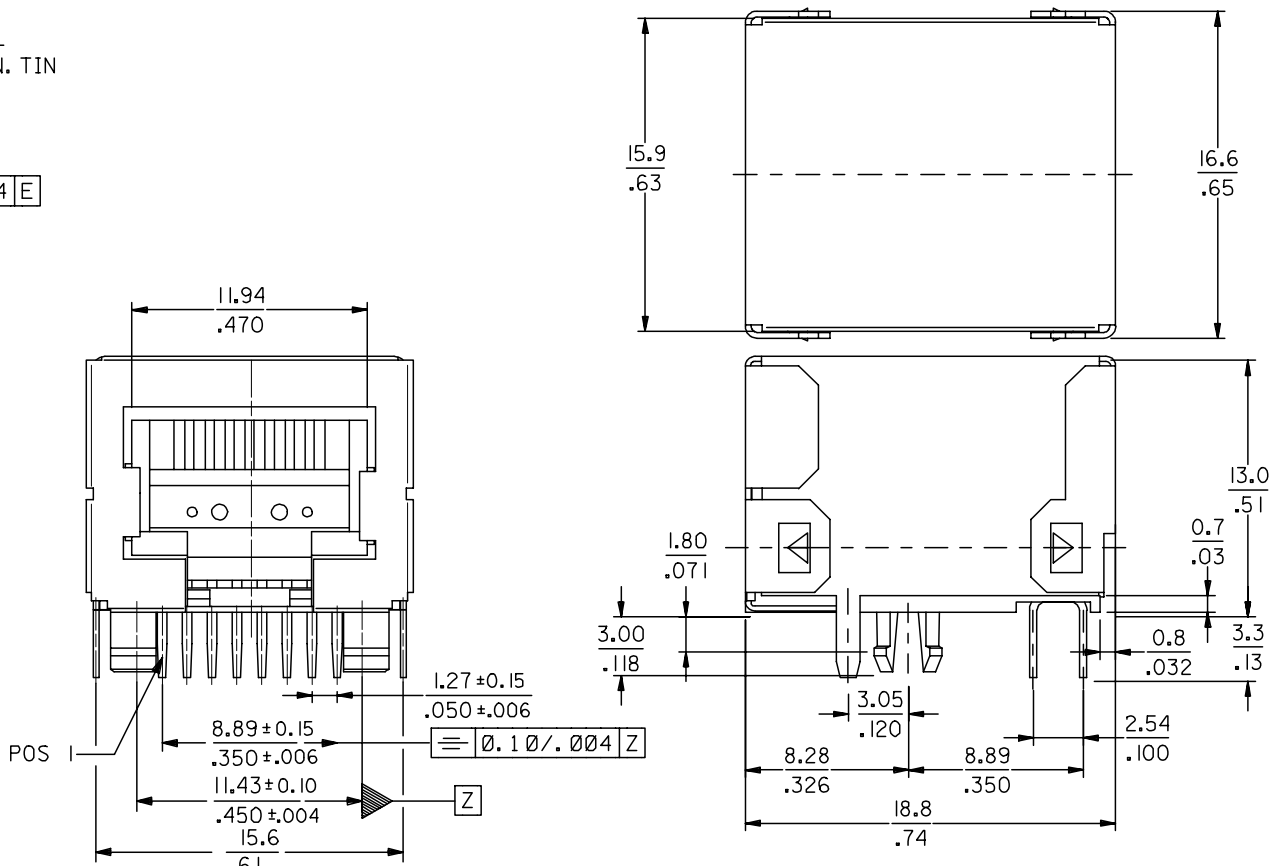
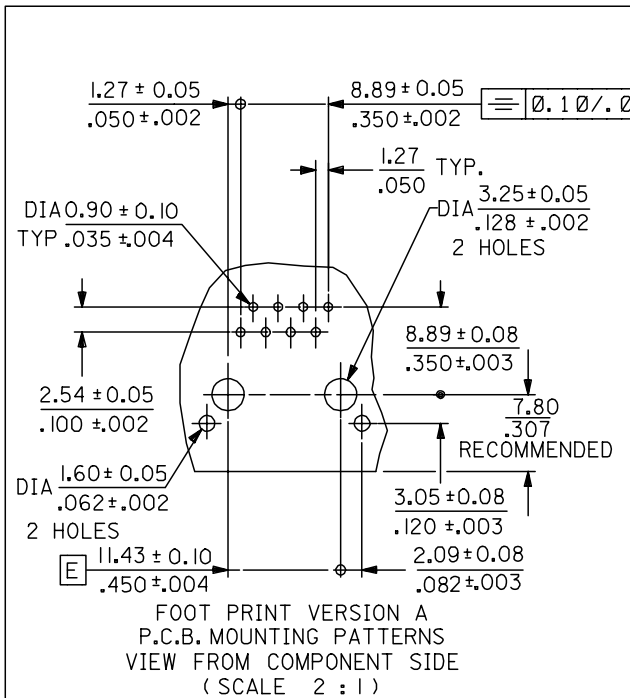


TECHNICAL SPECIFICATIONS:

I- MATERIAL :

HOUSING: LCP GLASS FILLED UL 94V0 COLOR BLACK
 TERMINAL : PHOSPHOR BRONZE PLATED WITH :
 0.00127/.000050 MIN. GOLD IN CONTACT AREA,
 0.00190/.000075 MIN. PURE TIN IN TAIL AREA,
 BOTH OVER 0.00127/.000050 MIN. NICKEL OVERALL
 SHIELD : BRASS PLATED WITH 0.0020/.000078 MIN. TIN

ENG.N.	FOOTPRINT VERSION	HOUSING SIZE	LOADED CKTS	PANEL GROUND	TOOLED	PACKAGING SPEC.
85505-5013	A	8	8	NO	YES	PK-95122 SHEET 1
85505-5113	A	8	8	NO	YES	PK-95122-006



NOTES:

- I- JACK FOR MATING WITH SHIELDED PLUG MOLEX 95043 AND 85568 SERIES.
- 2- PRODUCT SPECIFICATION: MOLEX PS-85505-101
- 3- APPLICATION SPECIFICATION: MOLEX AS-85513-001
- 4- PACKAGING SPECIFICATION: SEE CHART
- 5- P.C. BOARD THICKNESS : 1.57/.062
- 6- EXCEEDS CATEGORY 5E PERFORMANCE.

ADDED PART 5113 EC NO: E2008-0224 2007/10/30 DRWN:DBRYNES 2007/11/05 CHKD: APPR:HURRMAN 2007/11/05	QUALITY SYMBOLS ▽=0 ▽=0	GENERAL TOLERANCES (UNLESS SPECIFIED) <table border="1"> <thead> <tr> <th></th> <th>mm</th> <th>INCH</th> </tr> </thead> <tbody> <tr> <td>4 PLACES</td> <td>± ---</td> <td>± ---</td> </tr> <tr> <td>3 PLACES</td> <td>± ---</td> <td>± .010</td> </tr> <tr> <td>2 PLACES</td> <td>± 0.25</td> <td>± .014</td> </tr> <tr> <td>1 PLACE</td> <td>± 0.35</td> <td>± ---</td> </tr> </tbody> </table> ANGULAR ± 2 °		mm	INCH	4 PLACES	± ---	± ---	3 PLACES	± ---	± .010	2 PLACES	± 0.25	± .014	1 PLACE	± 0.35	± ---	DIMENSION STYLE MM/IN	SCALE 4:1	DESIGN UNITS METRIC	THIRD ANGLE PROJECTION
		mm	INCH																		
	4 PLACES	± ---	± ---																		
	3 PLACES	± ---	± .010																		
2 PLACES	± 0.25	± .014																			
1 PLACE	± 0.35	± ---																			
DRAWN BY TMARTIN 2005/03/08	DATE 2005/03/08	TITLE HIGH SPEED MODULAR JACK R/A FULLY SHIELDED THROUGH HOLE - VERSION A	APPROVED BY KNOLLER 2005/03/08	MATERIAL NO. SEE CHART	DOCUMENT NO. SD-85505-106	SHEET NO. 1 OF 1															
DRAFT WHERE APPLICABLE MUST REMAIN WITHIN DIMENSIONS																					
THIS DRAWING CONTAINS INFORMATION THAT IS PROPRIETARY TO MOLEX INCORPORATED AND SHOULD NOT BE USED WITHOUT WRITTEN PERMISSION																					