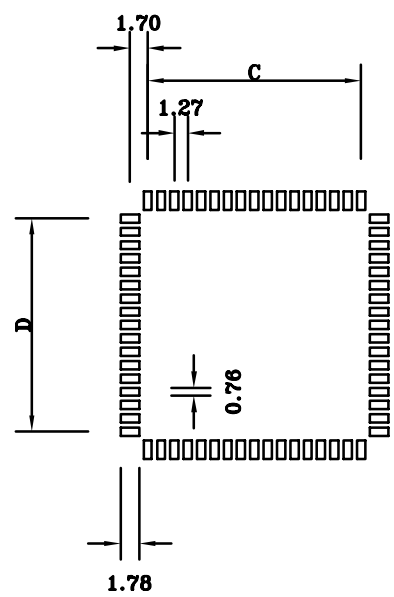
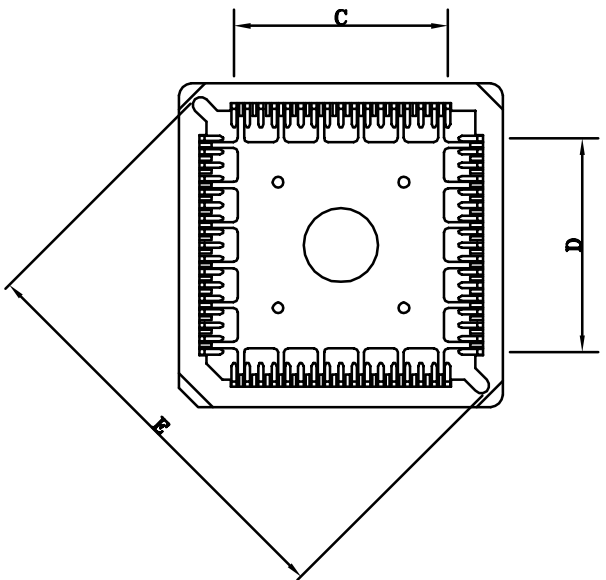


SECTION A-A



P.C.B. LAYOUT

**Materials:**  
 Housing material: pps+40% Glass-filled(UL-94v-0)  
 Color: Brown  
 Contact material: phosphor-bronze  
**Plating:**  
 Contact: 3.8um(150uin.)min tin-lead  
 Solder tail: 2.5um(100uin.)min tin-lead  
 Underplante: 1um(40uin.)min nickel  
**Contact resistance:**  
 Surface-mount: 20m ohm  
 Through-mount: 30m ohm  
 Insulation resistance: 10000M ohm min  
 Withstanding voltage: 600v ac  
 Current rating: 1amp continuous  
 Voltage rating: 120V ac

NO. OF CONTACTS	A±0.2	B±0.2	C±0.1	D±0.1	E±0.2
20	15.66	15.66	5.08	5.08	17.28
28	18.20	18.20	7.62	7.62	20.87
32	18.20	20.74	7.62	10.16	22.76
44	23.28	23.28	12.70	12.70	28.05
52	25.82	25.82	15.24	15.24	31.65
68	30.90	30.90	20.32	20.32	38.83
84	35.98	35.98	25.40	25.40	46.00

HOW TO ORDER:

6601-XX-01: STANDARD SMD W/O PEGS

E			
D			
C			
B			
A	12-09-2002		JACK
REV	DATE	FILE	BY

DRAWN: Jerry Chen	GENERAL TOLERANCE: .X=±0.2 .XX=±0.15
CHECKED:	UNIT: MM
	SCALE:
APPROVAL:	SHEET: 1 / 1
	PROJECTION:

DESCRIPTION: SMD PLCC SOCKET	SIZE <b>A4</b>
PART NO: 6601-XX-01	