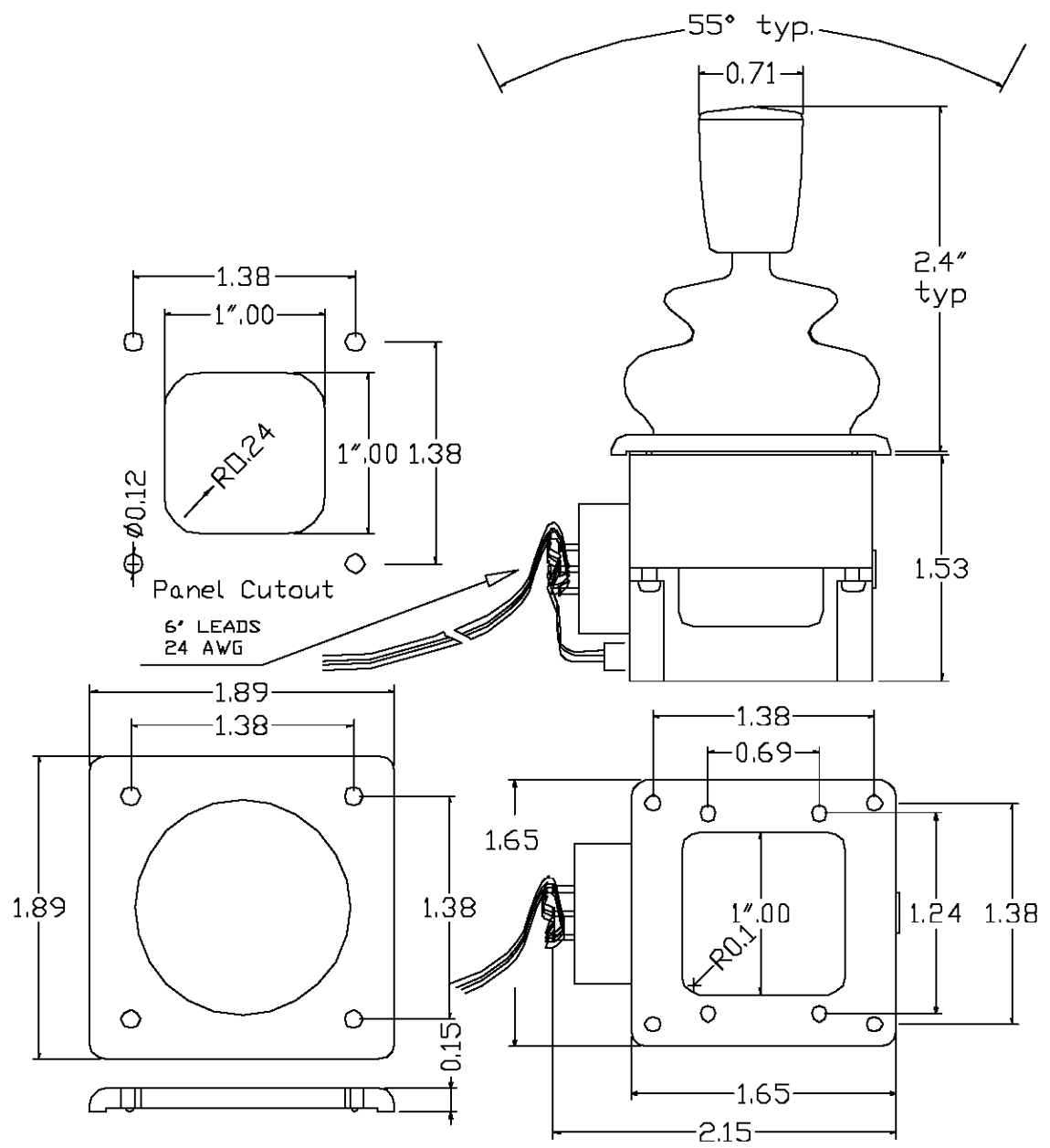


P/N J4-00211



TOLERANCES	
XX = +/- .010"	FRACT. = +/- 1/64"
XXX = +/- .005"	ANGLES = +/- 1/2°

SCALE NONE	DATE:	6-02-03
	BY	AT
	APPRV'D	
CODE IDENT: 19477		



ETI
SYSTEMS
CARLSBAD
CALIFORNIA

TITLE
RESISTIVE
JOYSTICK

PART NO.
J4-00211