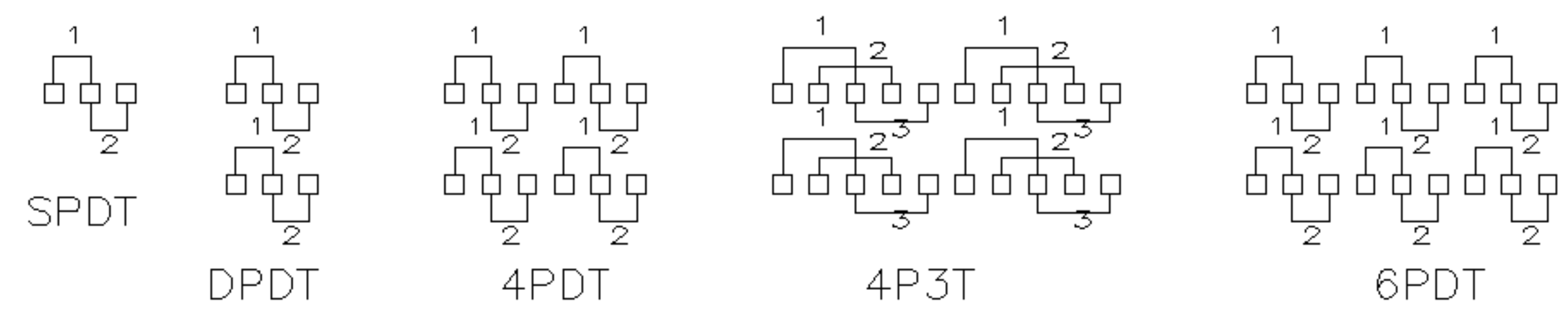


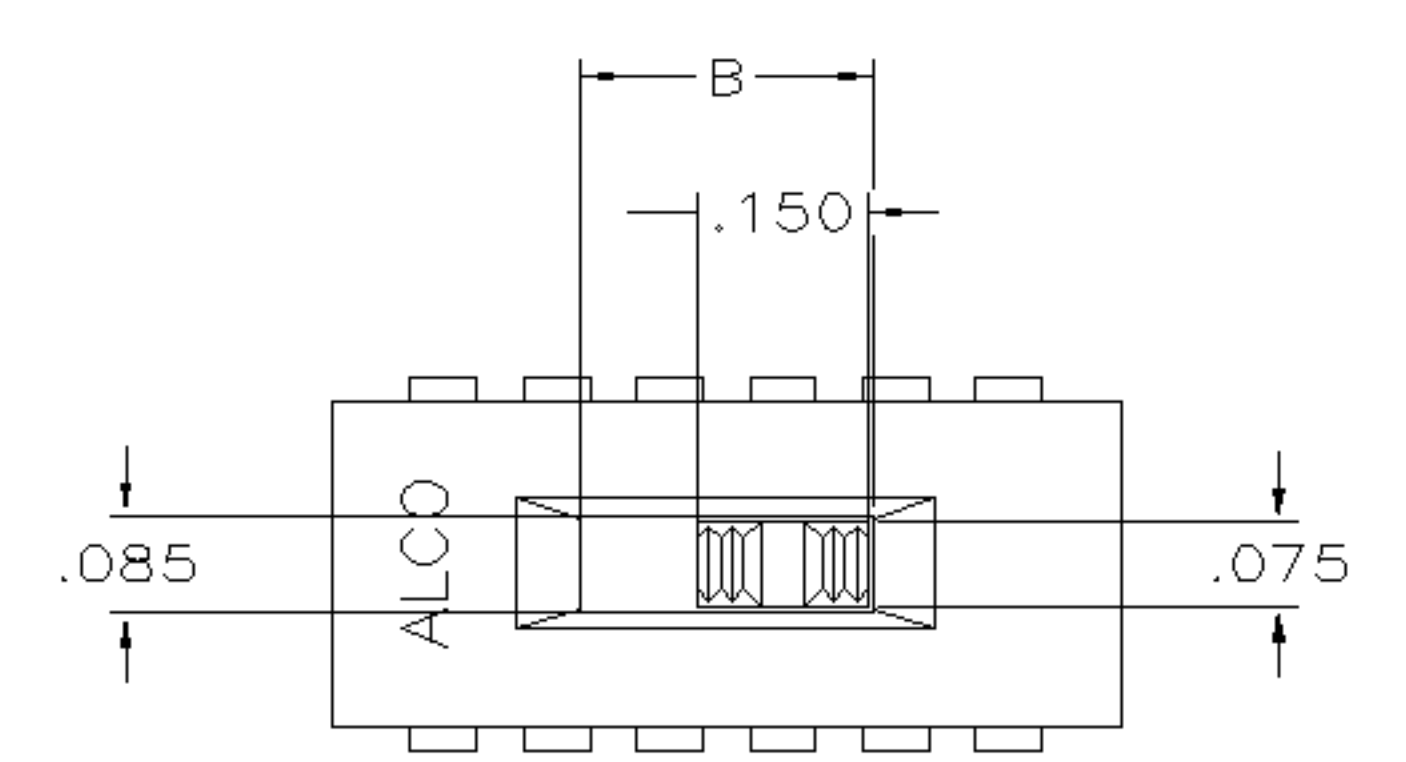
E = EXTENDED ACTUATOR
 F = FLUSH ACTUATOR
 *3 = THROW AVAILABLE IN 4 POLE ONLY
 R = SIDE ACTUATOR
 G = GOLD CONTACTS
 B = BLACK ACTUATOR
 L = SMT TERMINAL
 'L' CONFIGURATION
 S = SMT TERMINAL REVERSE 'L' CONFIGURATION
 TR = TAPE AND REEL PACKAGED

AS* - 43****	1.100	.360	.900	.230
AS* - 62****	1.000	.260	.800	.230
AS* - 42****	.700	.260	.500	.230
AS* - 22****	.400	.260	.200	.105
AS* - 12****	.400	.260	.200	.105
SWITCH NO.	DIM A	DIM B	DIM C	DIM D

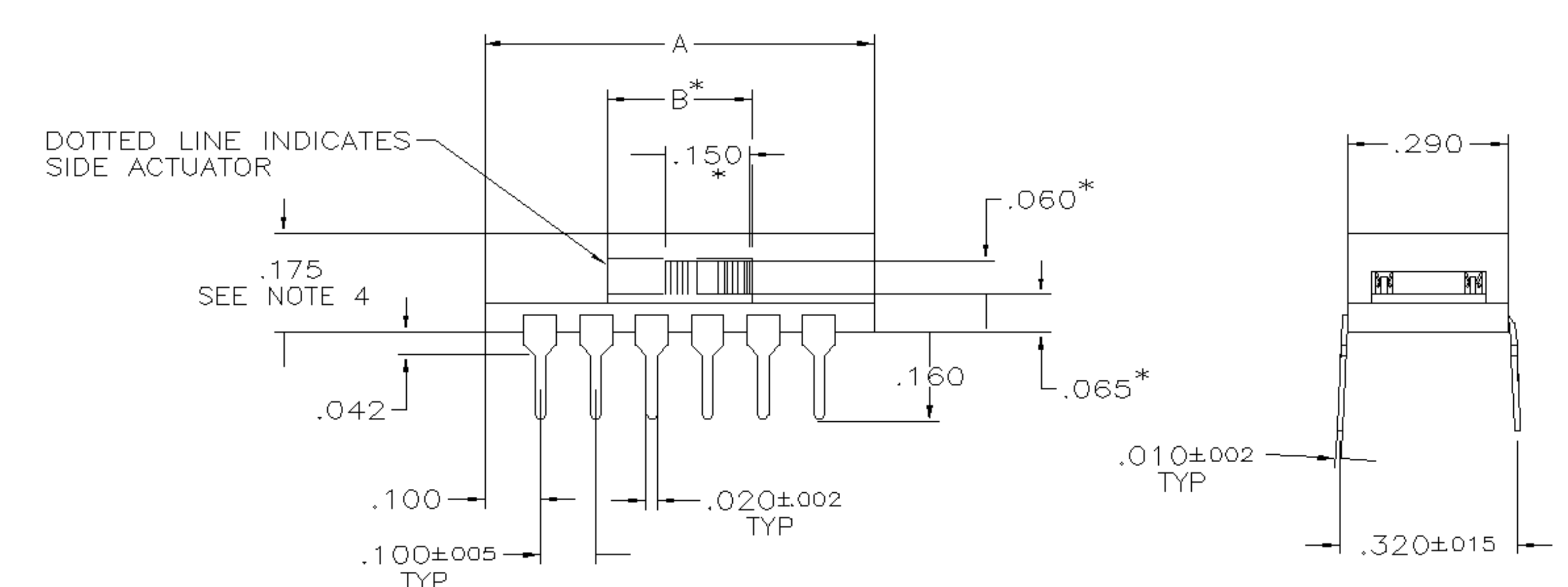
* = OPTIONS (SEE CHART)



CIRCUIT DIAGRAMS



* SIDE ACTUATOR ONLY.



ASF

SPECIFICATIONS:

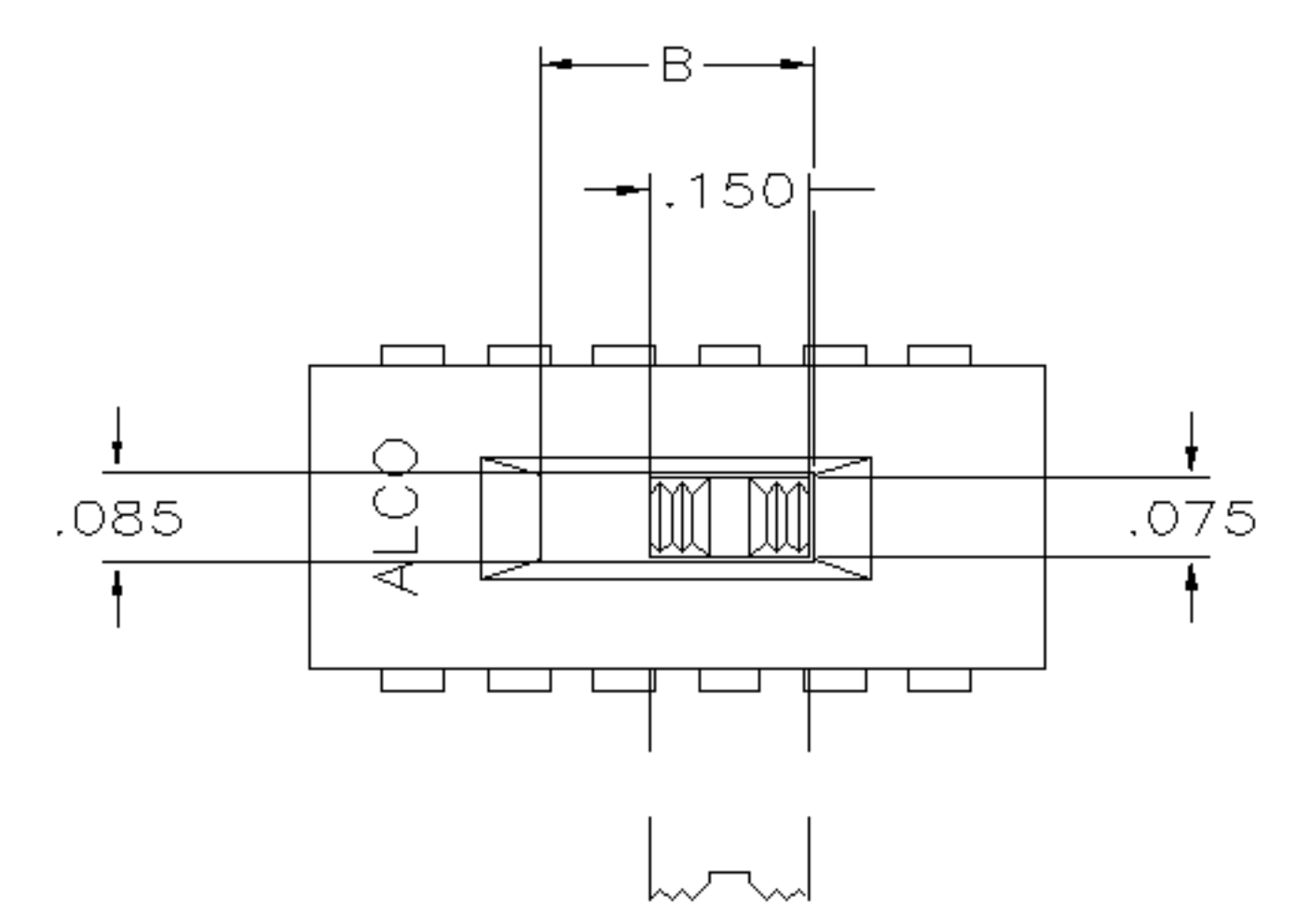
MATERIAL:
 BASE, COVER: RYNITE.
 MOVABLE CONTACT: BERYLLIUM COPPER.
 FIXED CONTACT/TERMINAL: COPPER ALLOY.
 PLATING: GOLD .000030" OVER NICKEL.
 SILVER: .000050" OVER NICKEL FLASH.

ELECTRICAL:
 CONTACT RATING: SILVER: 300 MILLIAMPS @ 115 VAC.
 GOLD: 0.4 VA 20 VDC.
 CONTACT RESISTANCE: INITIAL 40 MILLIOHMS MAX.
 INSULATION RESISTANCE: 1000 MEGOHMS MAX.
 DIELECTRIC STRENGTH: 600 VOLTS RMS AT SEA LEVEL.
 LIFE EXPECTANCY: 15,000 CYCLES MIN.

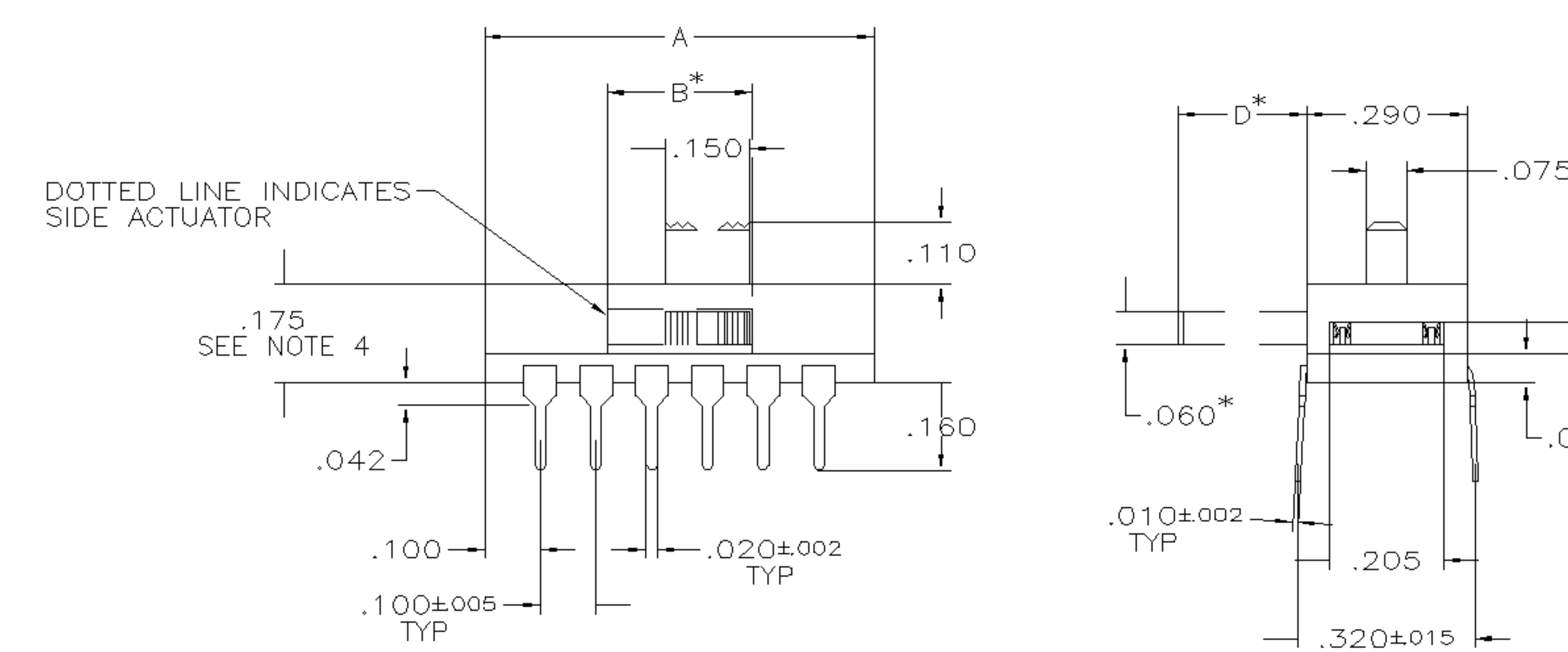
ENVIRONMENTAL:
 OPERATING TEMPERATURE: -40°F TO +176°F (-40°C TO +80°C).
 HIGH TEMPERATURE RESISTANCE: WILL WITHSTAND VAPOR PHASE REFLOW AND WAVE SOLDERING PROCESSES.
 PROCESS CLEANING: WILL WITHSTAND AQUEOUS OR SOLVENT CLEANING PROCESSES.

NOTES: UNLESS OTHERWISE SPECIFIED

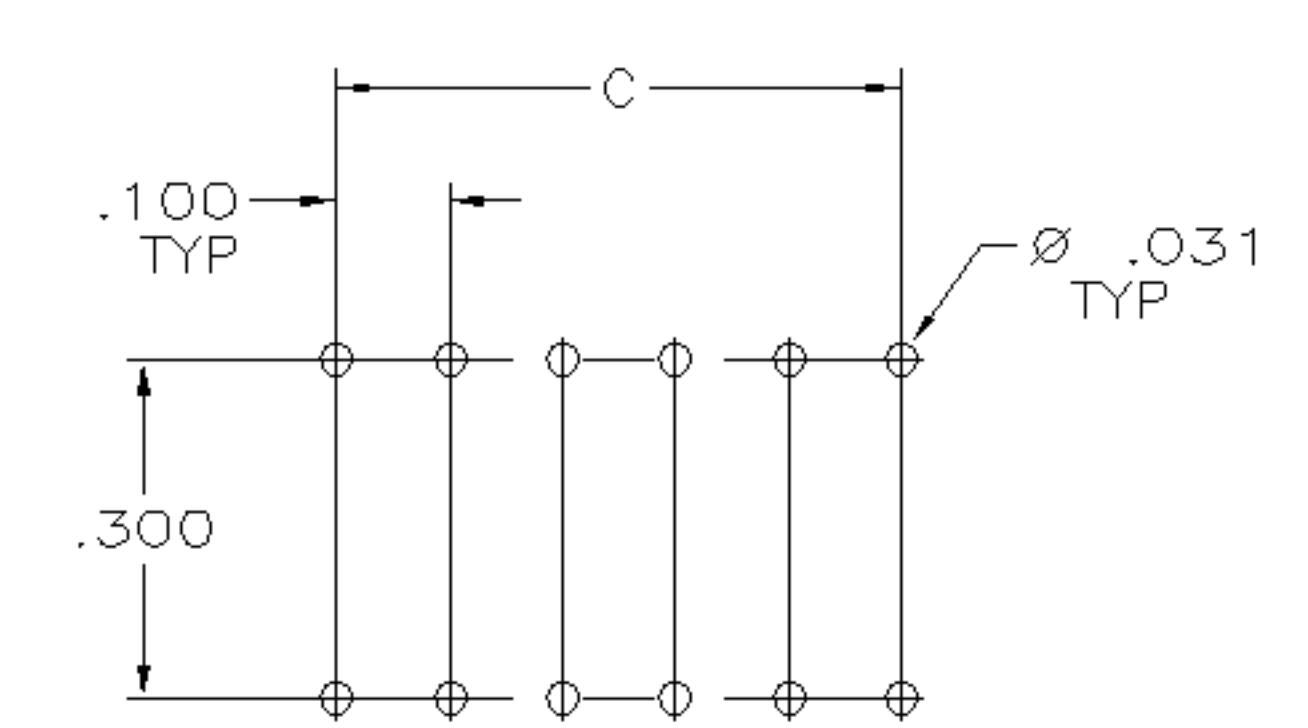
- ALL SWITCHES HAVE OPEN ENDS EXCEPT TOP FLUSH ACTUATOR, WHICH COMES STANDARD WITH TAPE SEAL.
 - TAPE AND REEL PER EIA 481 OR 22" ANTI-STATIC TUBES
- △ SAME AS ASF22LTR WITHOUT TAPE SEAL



* SIDE ACTUATOR ONLY.



ASE



PRINTED CIRCUIT BOARD HOLE PATTERN

Upright, Through Hole, Extended Actuator

Tyco P/N	T&B Model	Function
1437581-2	ASE22	DPDT
1437581-4	ASE22G	DPDT
1-1437581-4	ASE42	4PDT
1-1437581-6	ASE42G	4PDT
2-1437581-5	ASE43	4P3T
2-1437581-6	ASE43G	4P3T
3-1437581-1	ASE62	6PDT
3-1437581-3	ASE62G	6PDT

Right Angle, Through Hole, Extended Actuator

Tyco P/N	T&B Model	Function
1437581-8	ASE22R	DPDT
1437581-9	ASE22RG	DPDT
1-1437581-9	ASE42R	4PDT
2-1437581-0	ASE42RG	4PDT
2-1437581-9	ASE43R	4P3T
3-1437581-0	ASE43RG	4P3T
3-1437581-6	ASE62R	6PDT
3-1437581-7	ASE62RG	6PDT

Upright, Surface Mount "L" Type, Extended Actuator

Tyco P/N	T&B Model	Function
1437581-5	ASE22GL	DPDT
1437581-7	ASE22L	DPDT
1-1437581-7	ASE42GL	4PDT
1-1437581-8	ASE42L	4PDT
2-1437581-7	ASE43GL	4P3T
2-1437581-8	ASE43L	4P3T
3-1437581-4	ASE62GL	6PDT
3-1437581-5	ASE62L	6PDT

Upright, Surface Mount "S" Type, Extended Actuator

Tyco P/N	T&B Model	Function
1437581-6	ASE22GS	DPDT
1-1437581-3	ASE22S	DPDT
	ASE42GS	4PDT
2-1437581-4	ASE42S	4PDT
	ASE43GS	4P3T
	ASE43S	4P3T
	ASE62GS	6PDT
	ASE62S	6PDT

Right Angle, Surface Mount "L" Type, Extended Actuator

Tyco P/N	T&B Model	Function
	ASE22RGL	DPDT
1-1437581-1	ASE22RL	DPDT
2-1437581-1	ASE42RGL	4PDT
2-1437581-2	ASE42RL	4PDT
	ASE43RGL	4P3T
	ASE43RL	4P3T
3-1437581-8	ASE62RGL	6PDT
3-1437581-9	ASE62RL	6PDT

Right Angle, Surface Mount "S" Type, Extended Actuator

Tyco P/N	T&B Model	Function
1-1437581-0	ASE22RGS	DPDT
1-1437581-2	ASE22RS	DPDT
	ASE42RGS	4PDT
2-1437581-3	ASE42RS	4PDT
	ASE43RGS	4P3T
	ASE43RS	4P3T
	ASE62RGS	6PDT
	ASE62RS	6PDT

Upright, Through Hole, Flush Actuator

Tyco P/N	T&B Model	Function
5-1437581-6	ASF22	DPDT
5-1437581-8	ASF22G	DPDT
6-1437581-8	ASF42	4PDT
7-1437581-0	ASF42G	4PDT
7-1437581-8	ASF43	4P3T
7-1437581-9	ASF43G	4P3T
8-1437581-4	ASF62	6PDT

Right Angle, Through Hole, Flush Actuator

Tyco P/N	T&B Model	Function
6-1437581-2	ASF22R	DPDT
6-1437581-3	ASF22RG	DPDT
7-1437581-3	ASF42R	4PDT
7-1437581-4	ASF42RG	4PDT
	ASF43R	4P3T
8-1437581-2	ASF43RG	4P3T
8-1437581-9	ASF62R	6PDT
9-1437581-1	ASF62RG	6PDT

Upright, Surface Mount "L" Type, Flush Actuator

Tyco P/N	T&B Model	Function
1571007-1	ASF22LTR	DPDT
2-1437582-0	ASF71260/3	DPDT
5-1437581-9	ASF22GL	DPDT
6-1437581-1	ASF22L	DPDT
7-1437581-1	ASF42GL	4PDT
7-1437581-2	ASF42L	4PDT
8-1437581-0	ASF43GL	4P3T
8-1437581-1	ASF43L	4P3T
8-1437581-7	ASF62GL	6PDT
8-1437581-8	ASF62L	6PDT

Upright, Surface Mount "S" Type, Flush Actuator

Tyco P/N	T&B Model	Function
6-1437581-0	ASF22GS	DPDT
6-1437581-7	ASF22S	DPDT
	ASF42GS	4PDT
7-1437581-7	ASF42S	4PDT
	ASF43GS	4P3T
8-1437581-3	ASF43S	4P3T
	ASF62GS	6PDT
9-1437581-4	ASF62S	6PDT

Right Angle, Surface Mount "L" Type, Flush Actuator

Tyco P/N	T&B Model	Function
6-1437581-4	ASF22RGL	DPDT
	ASF22RL	DPDT
7-1437581-5	ASF42RGL	4PDT
7-1437581-6	ASF42RL	4PDT
	ASF43RGL	4P3T
	ASF43RL	4P3T
9-1437581-2	ASF62RGL	6PDT
	ASF62RL	6PDT

Right Angle, Surface Mount "S" Type, Flush Actuator

Tyco P/N	T&B Model	Function
6-1437581-5	ASF22RGS	DPDT
6-1437581-6	ASF22RS	DPDT
	ASF42RGS	4PDT
	ASF42RS	4PDT
	ASF43RGS	4P3T
	ASF43RS	4P3T
9-1437581-3	ASF62RGS	6PDT
	ASF62RS	6PDT

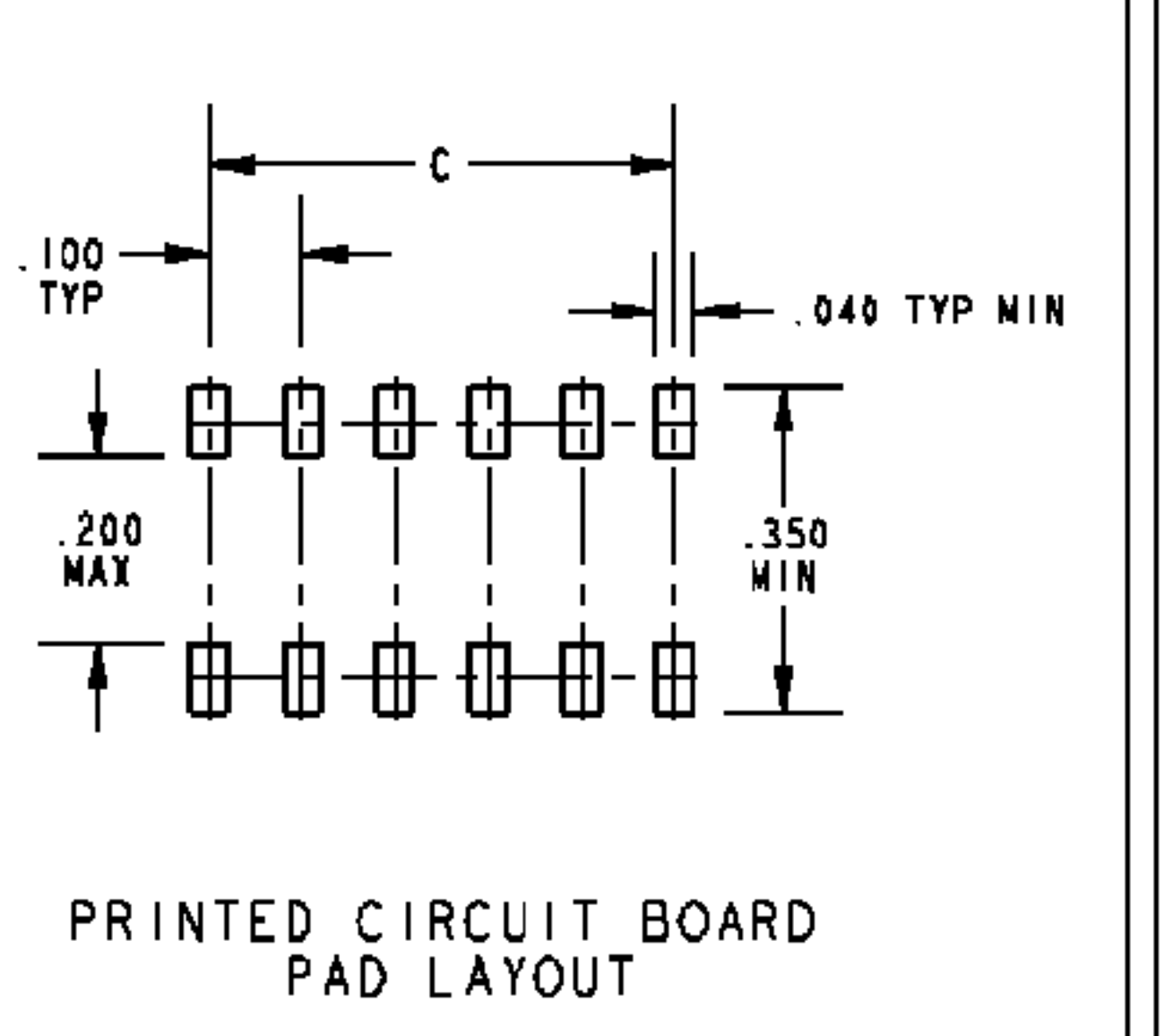
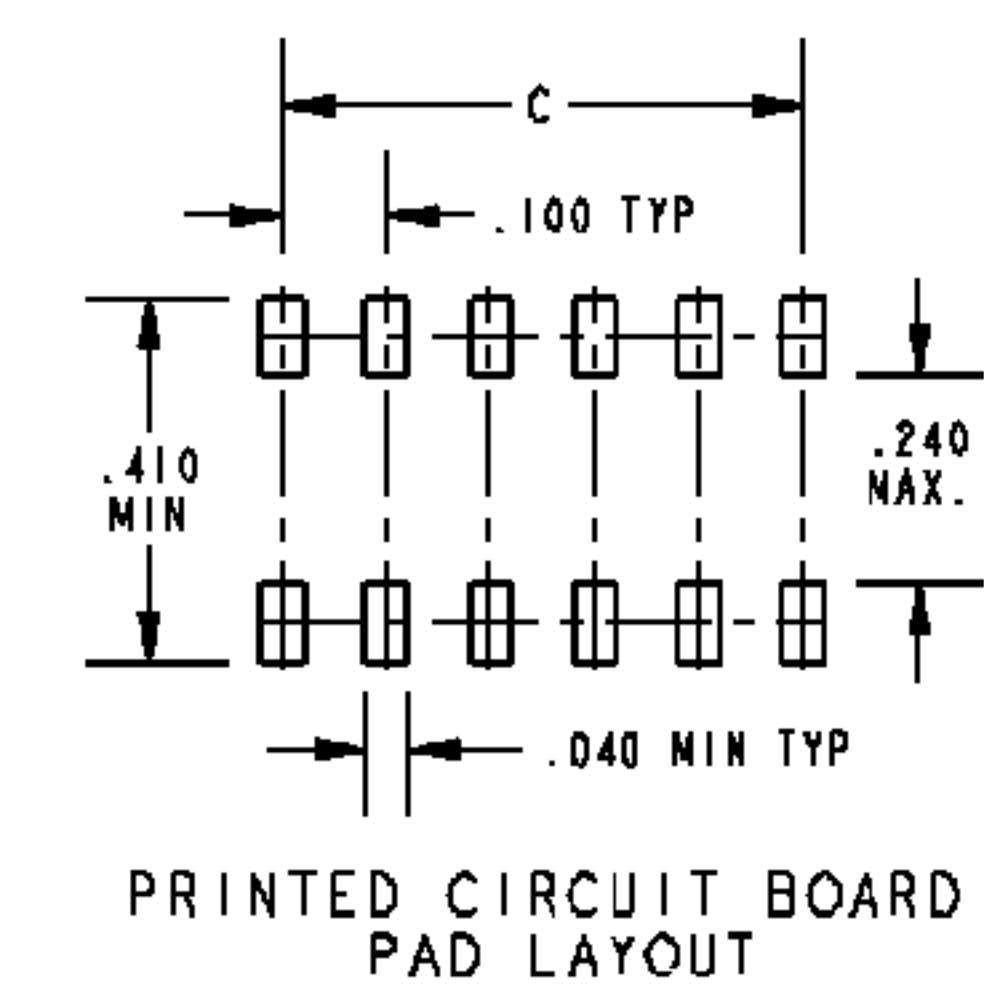
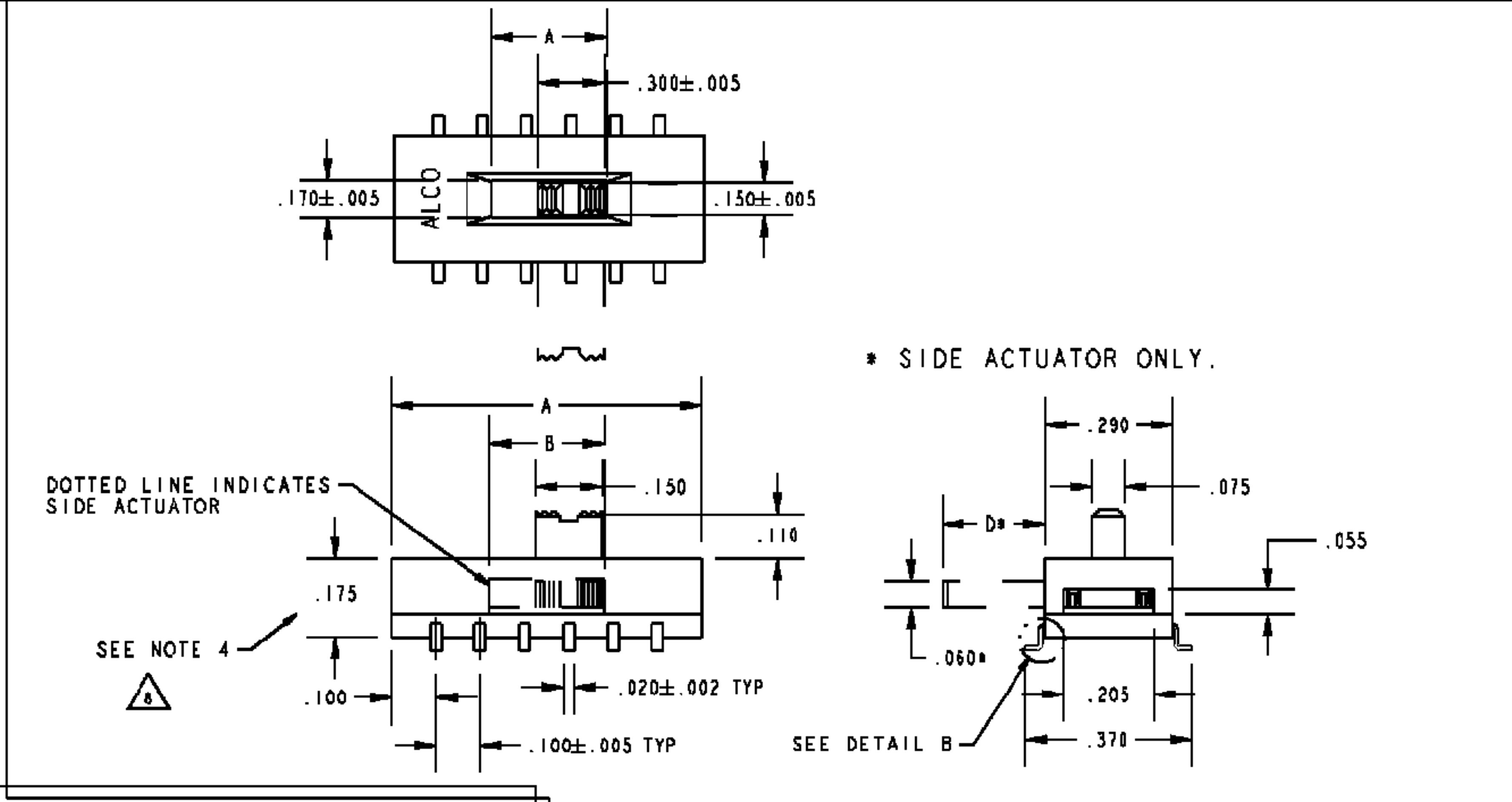
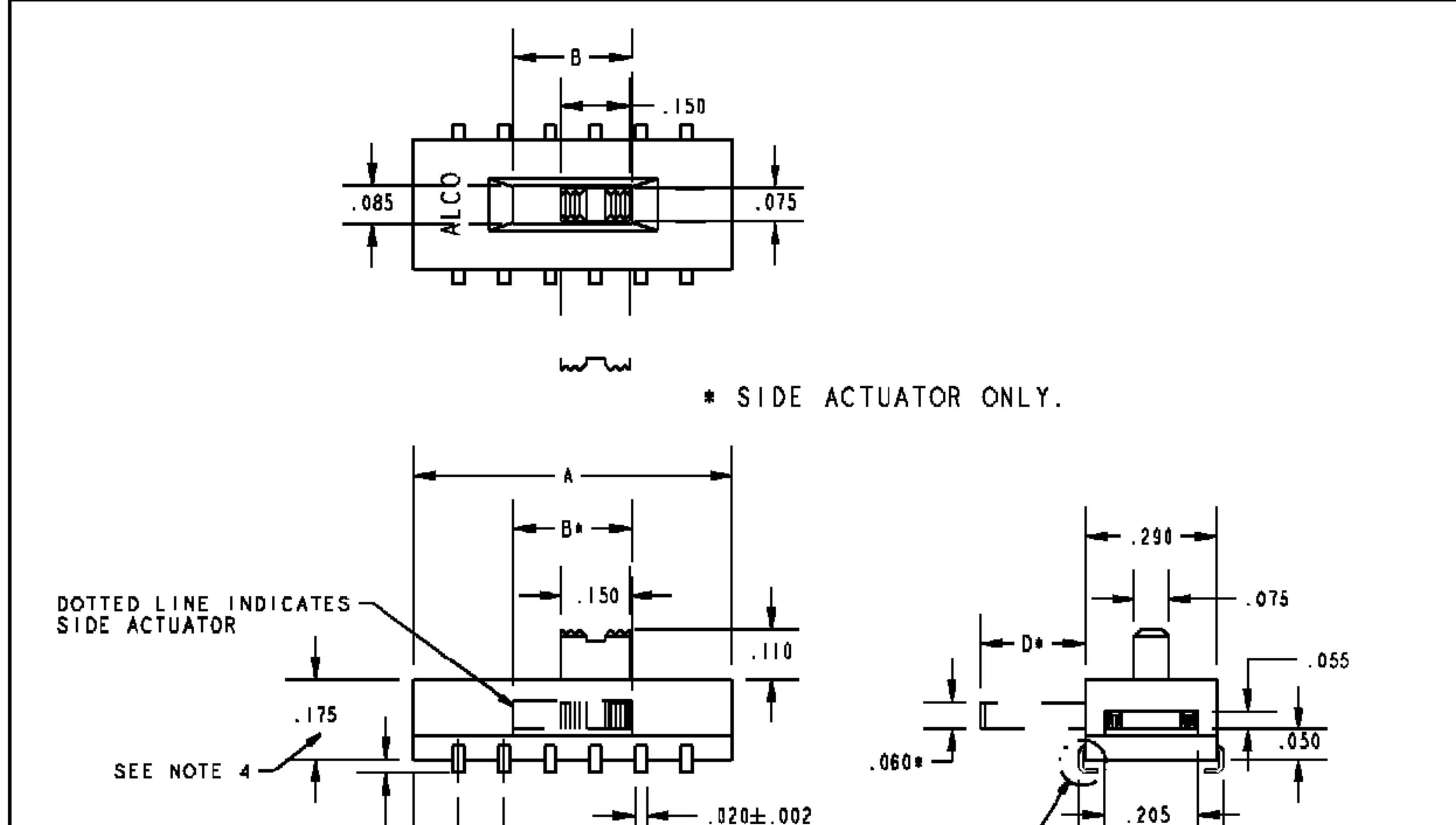
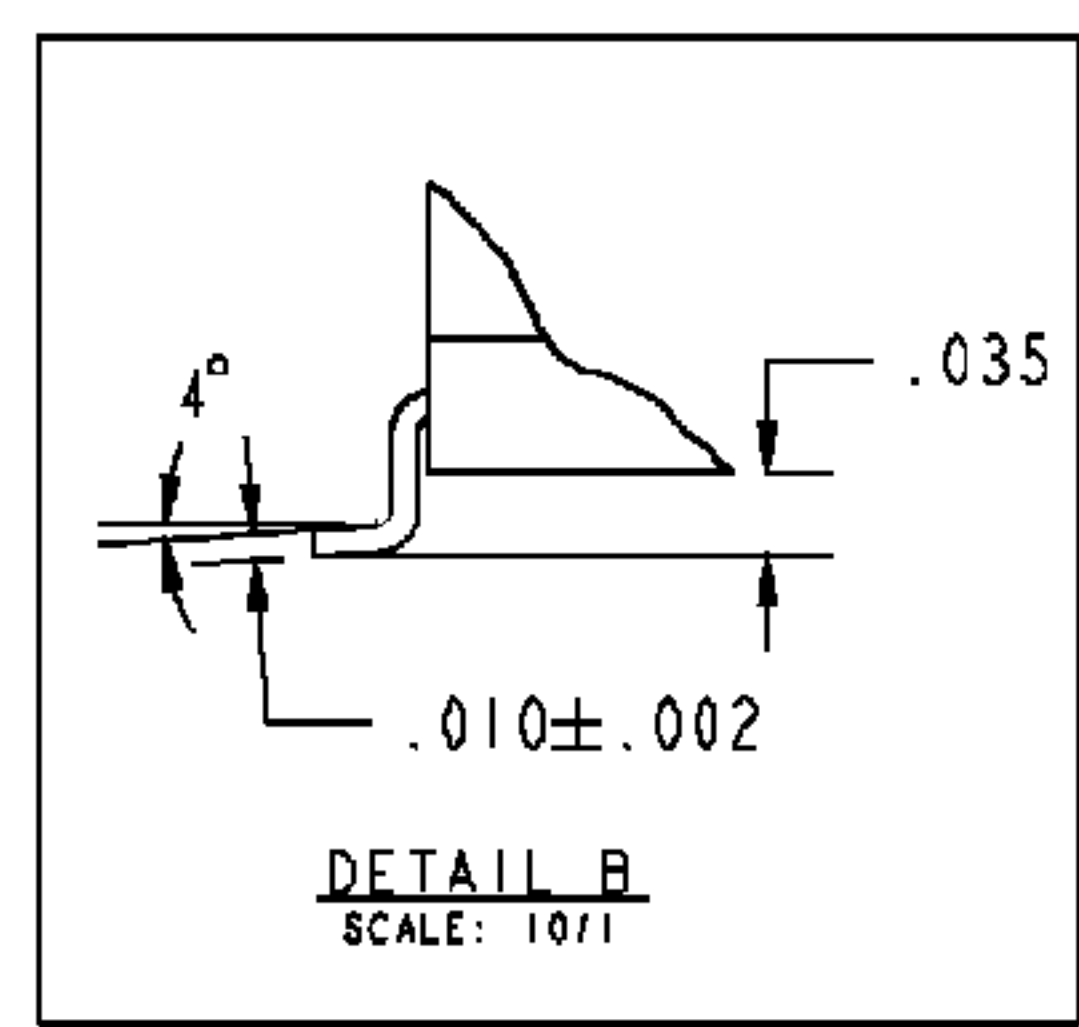
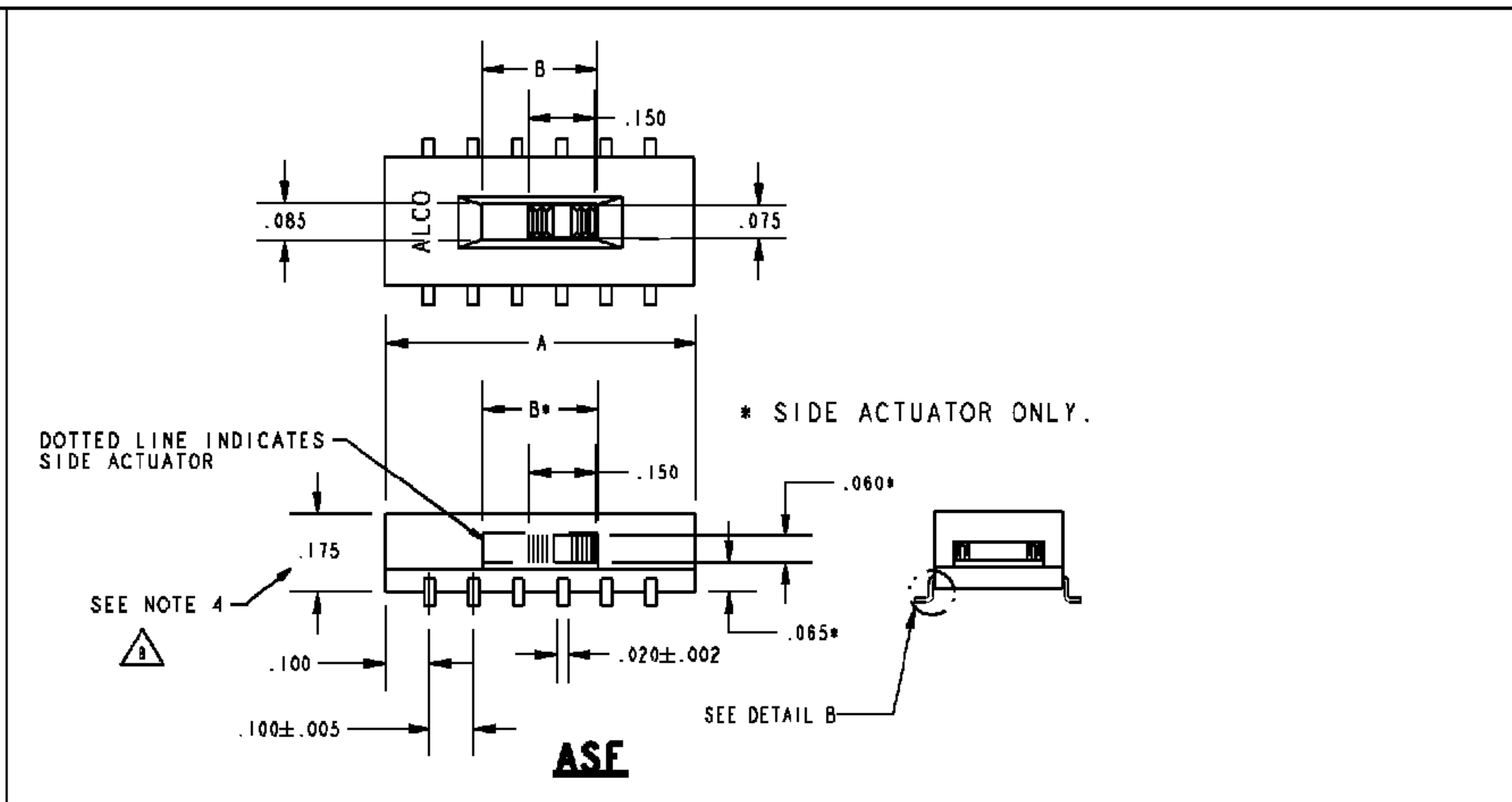
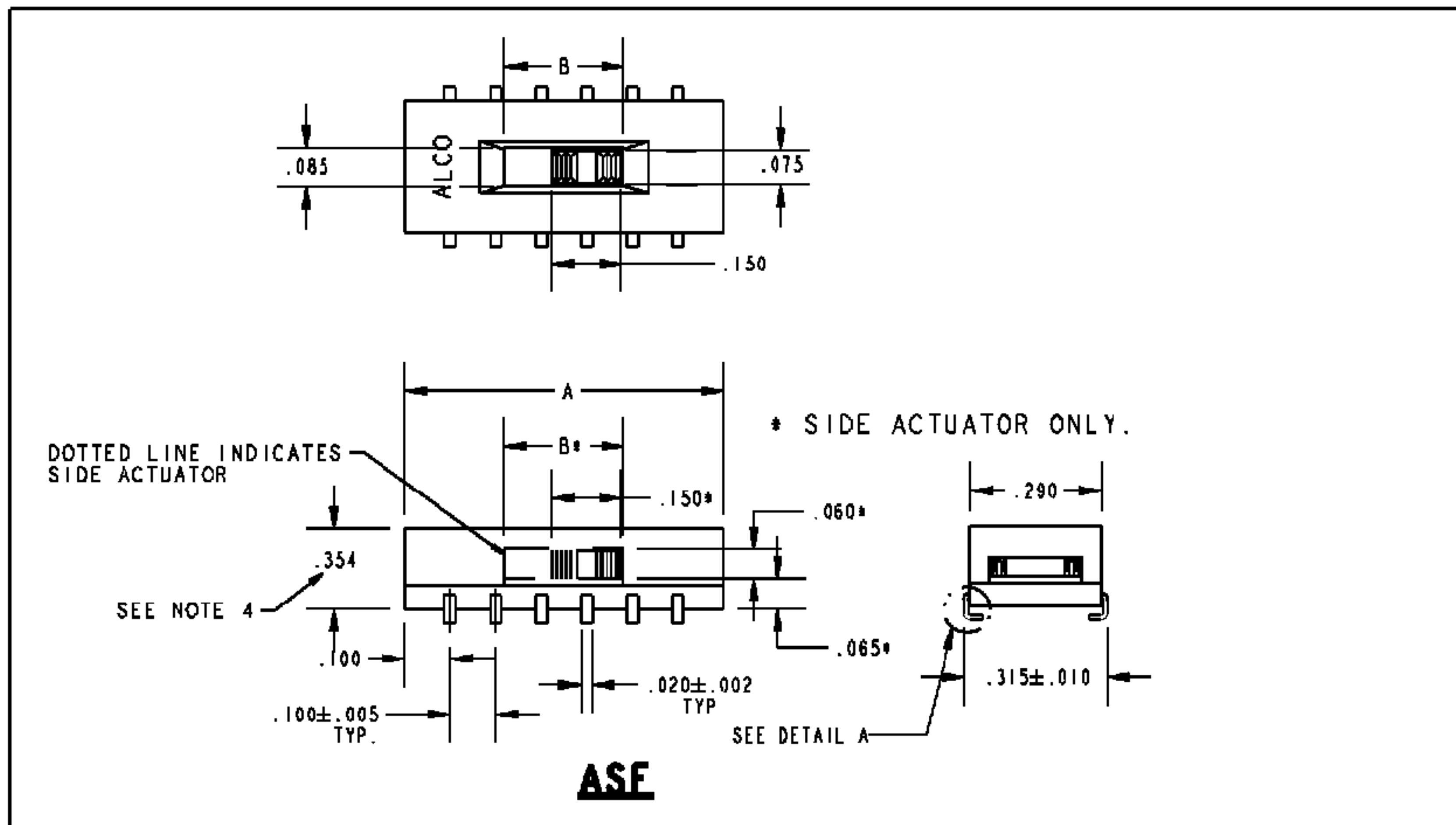
THIS DRAWING IS A CONTROLLED DOCUMENT. DWN M. BINNER 12JAN04

TYCO ELECTRONICS Tyco Electronics Corporation Harrisburg, Pa 17105-3608

SLIDE SWITCH ASE/ASF, AUTO-INSERTABLE, THRU-HOLE AND SURFACE MOUNT

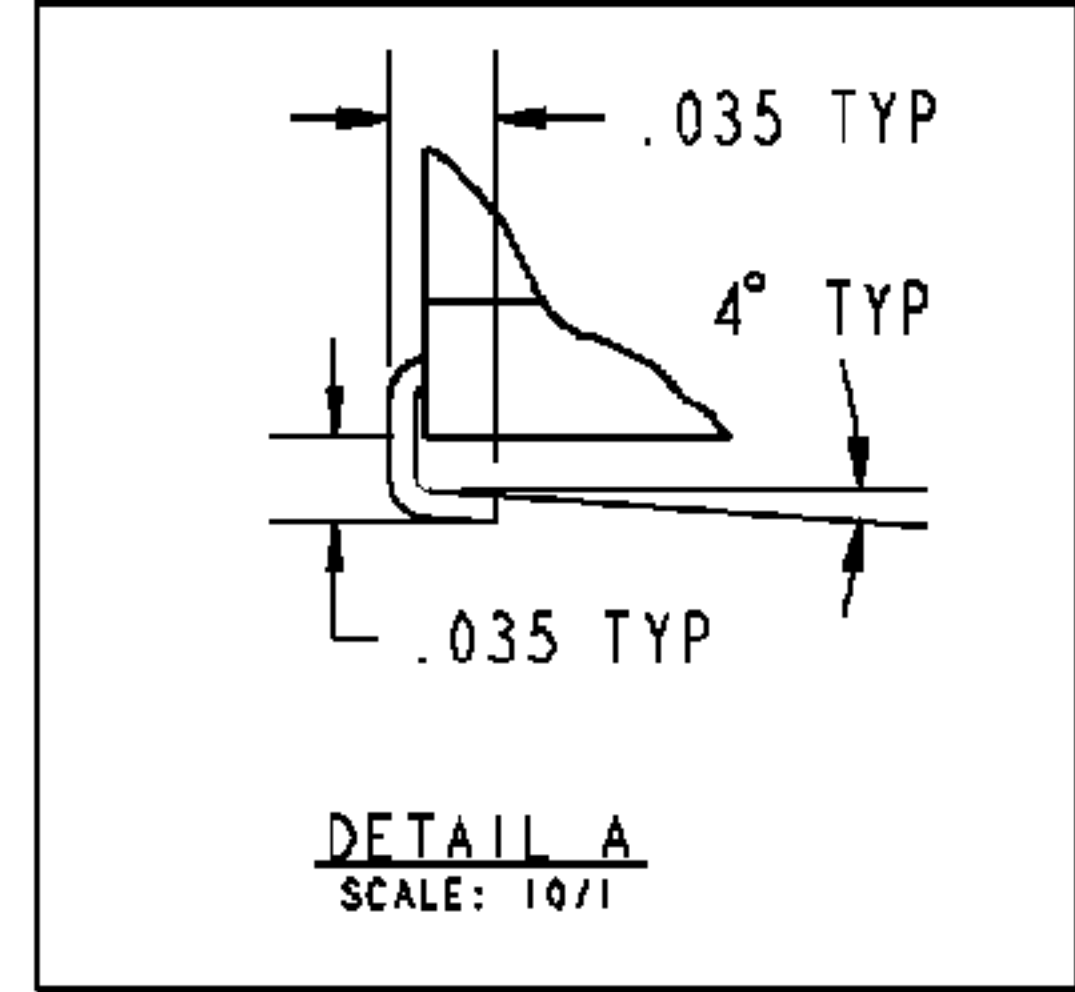
SIZE: A1 OAGE CODE: 00779 DRAWING NO: 1437581-2

CUSTOMER DRAWING SCALE: 3:1 SHEET: 1 OF 2 REV: C



"L" TYPE SURFACE MOUNT

REVERSE "L" TYPE SURFACE MOUNT



THIS DRAWING IS A CONTROLLED DOCUMENT.		DWN M. BINNER	12JAN04	Tyco Electronics Corporation Harrisburg, Pa 17105-3608	
DIMENSIONS: INCHES		TOLERANCES UNLESS OTHERWISE SPECIFIED:		NAME	
<ul style="list-style-type: none"> 0 PLC ± - 1 PLC ± - 2 PLC ± - 3 PLC ± .010 4 PLC ± - ANGLES ± 1 FINISH - 		<ul style="list-style-type: none"> APVD - APPLICATION SPEC - WEIGHT - 		PRODUCT SPEC - APPLICATION SPEC - SIZE: A1 CAGE CODE: 00779 DRAWING NO: 1437581-2 RESTRICTED TO: -	
MATERIAL -		CUSTOMER DRAWING		SCALE: 1:1	SHEET 2 OF 2