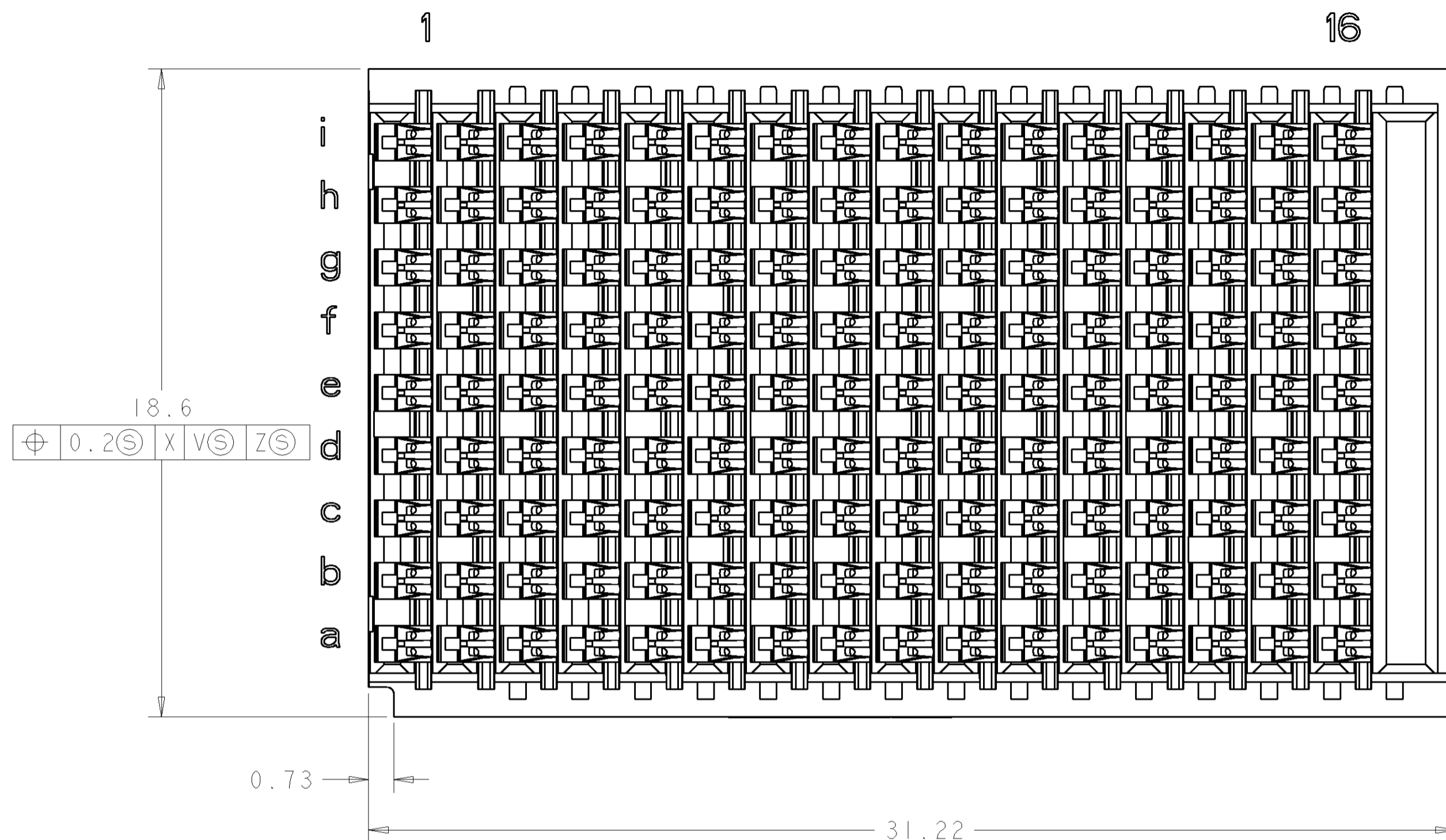
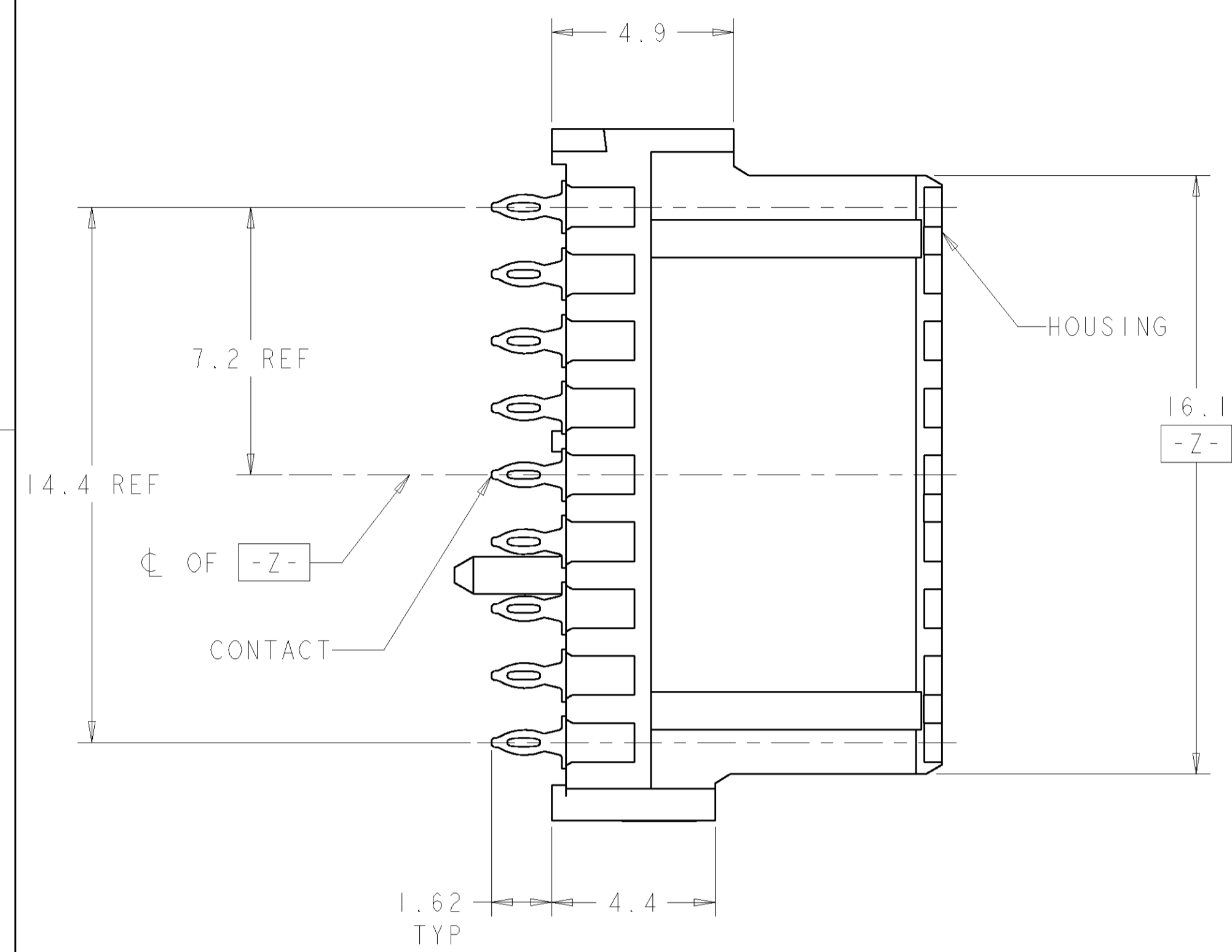
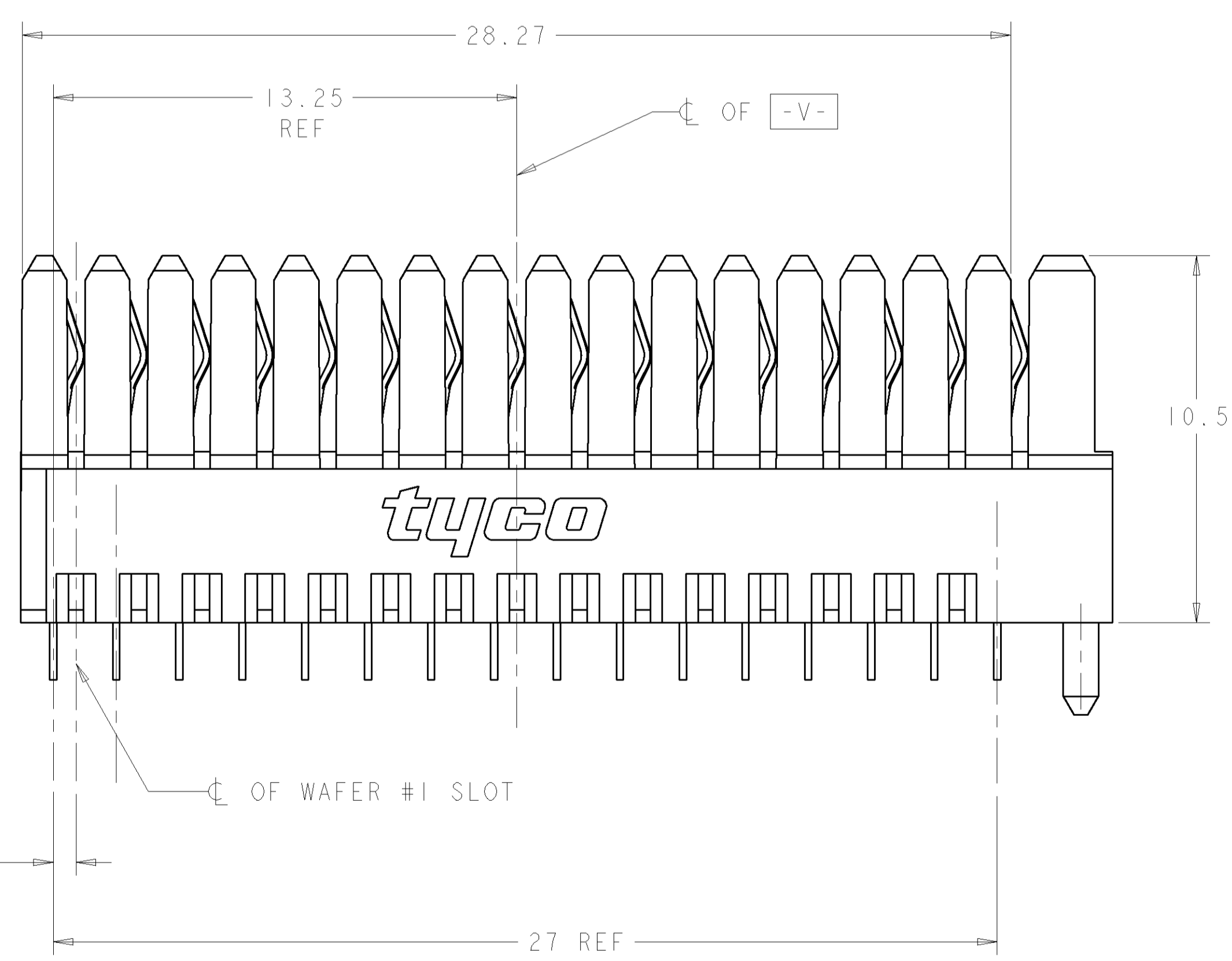
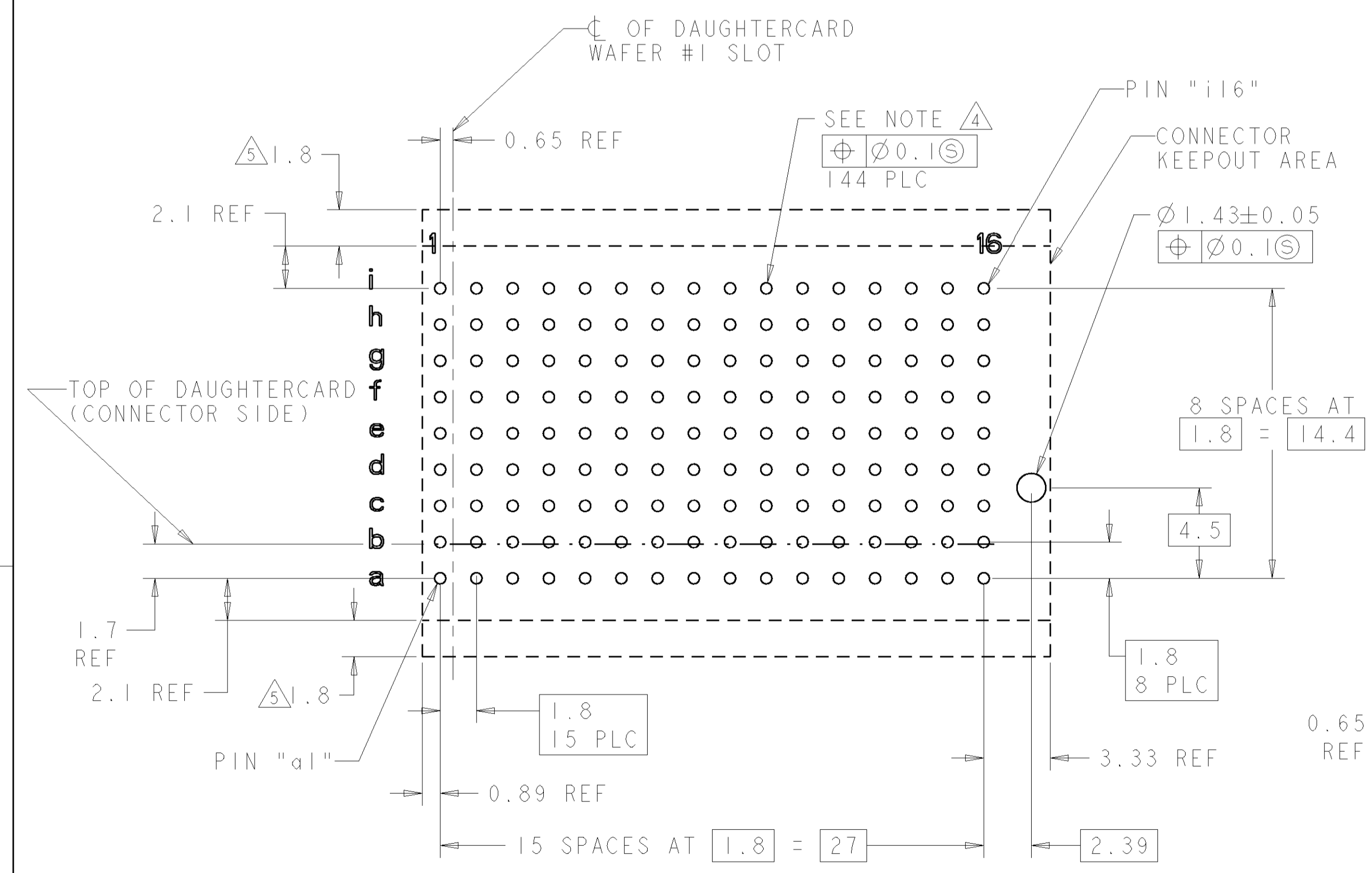


LOC	DIST	REVISIONS					
GP	00	P	LTR	DESCRIPTION	DATE	DWN	APVD
		A		REV PER ECO-06-006525	29MAR2006	BC	GG



- 1 HOUSING: LCP, UL94V0, COLOR: BLACK. CONTACT: PHOSPHOR BRONZE.
- 2 FINISH: 1.27 μ m GOLD IN CONTACT AREA 1.27 μ m MIN. TIN-LEAD ON PCB TAIL OVER 3.81 μ m MIN. NICKEL OVER ALL.
- 3 FINISH: 1.27 μ m GOLD IN CONTACT AREA 1.27 μ m MIN. TIN ON PCB TAIL OVER 3.81 μ m MIN. NICKEL OVER ALL.
- 4 MANUFACTURING TOLERANCE FOR:
 $\varnothing 0.56 \pm 0.05$ FINISHED HOLE WITH Sn PB PLATING:
 DRILLED HOLE = $\varnothing 0.65 \pm 0.02$
 COPPER PLATING = 0.025-0.050
 Sn PB PLATING = 0.0038-0.0124
 OR
 $\varnothing 0.575 \pm 0.050$ FINISHED HOLE WITHOUT Sn PB PLATING:
 DRILLED HOLE = $\varnothing 0.65 \pm 0.02$
 COPPER PLATING = 0.025-0.050
- 5 ADDITIONAL CONNECTOR-SIDE KEEPOUT AREA REQUIRED IF CONNECTOR-SIDE EXTRACTION TOOL IS TO BE USED.



PC BOARD LAYOUT (CONNECTOR SIDE)
SCALE 5:1

3	1410142-2
2	1410142-1
PLATING	PART NO

<small>THIS DRAWING IS UNPUBLISHED. RELEASED FOR PUBLICATION BY TYCO ELECTRONICS CORPORATION. ALL RIGHTS RESERVED.</small>		DWN: B.TREA 13NOV2002 ENR: J.CONSOLO 18NOV2002 APVD: 18NOV2002	tyco Tyco Electronics Harrisburg, PA 17105-3608
DIMENSIONS: mm TOLERANCES UNLESS OTHERWISE SPECIFIED: 0 PLC \pm 1 PLC ± 0.5 2 PLC ± 0.13 3 PLC \pm 4 PLC \pm ANGLES $\pm 1^\circ$		PRODUCT SPEC: 108-2072 APPLICATION SPEC: 114-13056 WEIGHT: - CUSTOMER DRAWING	NAME: CONNECTOR ASSEMBLY, BACKPLANE VERTICAL RECEPTACLE, RIGHT END, 20.3mm, MultiGig RT 2 SIZE: 00779 C=1410142 SCALE: 8:1 SHEET 1 OF 1 REV A