

# 1 Fuse Terminal Blocks

Side-entry

0.2 – 6 mm<sup>2</sup>  
500 V/6 kV/3 max. ①  
10 A max. ②

AWG 24 – 10  
600 V, 10 A ①  
250 V, 10 A ②

Terminal block width 13 mm / 0.512 in  
12 – 13 mm / 0.49 in

\*

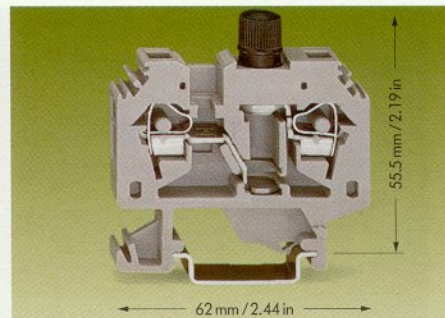
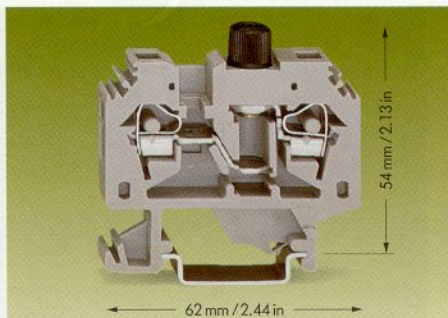
0.2 – 6 mm<sup>2</sup>  
500 V/6 kV/3 max. ①  
10 A max. ②

AWG 24 – 10  
600 V, 10 A ①  
250 V, 10 A ②

Terminal block width 13 mm / 0.512 in  
12 – 13 mm / 0.49 in

\*

① 500 V = rated voltage  
6 kV = rated surge voltage  
3 = pollution degree  
(see also section 10)  
The electrical data are given by the fuse.



Description	Item-No.	Pack.-unit pcs	Item-No.	Pack.-unit pcs
<b>Fuse terminal block</b> , for DIN 35 rail, for cartridges	<b>Fuse terminal block</b> , without indicator grey, 5 x 20 mm <b>282-122</b>	40	<b>Fuse terminal blocks</b> , without indicator grey, ¼" x 1" <b>282-120</b> grey, ¼" x 1¼" <b>282-128</b>	40 40
<b>Accessories</b> (see also section 8)	Appropriate marking system <b>WMB/WSB</b>		Appropriate marking system <b>WMB/WSB</b>	
<b>End and intermediate plate</b>	4 mm / 0.157 in thick orange <b>282-312</b> grey <b>282-311</b>	50 (2 x 25) 50 (2 x 25)	4 mm / 0.157 in thick orange <b>282-312</b> grey <b>282-311</b>	50 (2 x 25) 50 (2 x 25)
<b>Screwless end stop</b> , for DIN 35 rail	6 mm / 0.236 in wide <b>249-116</b> 10 mm / 0.394 in wide <b>249-117</b>	100 (4 x 25) 50 (2 x 25)	6 mm / 0.236 in wide <b>249-116</b> 10 mm / 0.394 in wide <b>249-117</b>	100 (4 x 25) 50 (2 x 25)
<b>Adjacent jumper</b> , insulated	I <sub>N</sub> 41 A grey <b>282-402</b>	100 (4 x 25)	I <sub>N</sub> 41 A grey <b>282-402</b>	100 (4 x 25)
<b>Test plug adapter</b> , suitable for terminal blocks 1.5 mm <sup>2</sup> – 10 mm <sup>2</sup> /AWG 16 – 8	8 mm / 0.315 in wide for test plug 4 mm / 0.157 in Ø <b>209-170</b>	50 (2 x 25)	8 mm / 0.315 in wide for test plug 4 mm / 0.157 in Ø <b>209-170</b>	50 (2 x 25)
<b>Test plug</b> , 6 mm / 0.236 in wide, with CAGE CLAMP® for 0.08 mm <sup>2</sup> - 2.5 mm <sup>2</sup> /AWG 28 - 14	I <sub>N</sub> 24 A <b>281-407</b>	100 (4 x 25)	I <sub>N</sub> 24 A <b>281-407</b>	100 (4 x 25)
<b>Miniature metric fuse</b> , 5 x 20 mm, without indicator, 6.3 A / 250 V, medium slow	<b>282-451</b>	200 (20 x 10)		
<b>Miniature metric fuse</b> , 5 x 25 mm, with indicator, 6.3 A / 250 V, medium slow				
<b>Miniature metric fuse</b> , 5 x 25 mm, with indicator, 10 A / 450 V, quick acting				
<b>Miniature fuse</b> , ¼" x 1", without indicator, 10 A / 240 V, acc. to BS 1362			<b>282-458</b>	200 (20 x 10)
<b>Miniature fuse</b> , ¼" x 1¼", without indicator, 10 A / 250 V, medium slow			<b>282-457</b>	200 (20 x 10)
<b>Miniature fuse</b> , ¼" x 1¼", without indicator, 10 A / 500 V, very quick acting			<b>282-454</b>	200 (20 x 10)

\* For further approvals with corresponding ratings see pages 10,3 ff.