



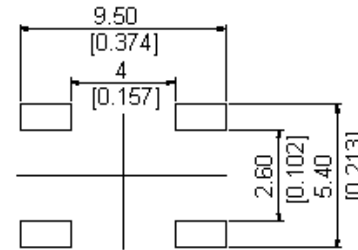
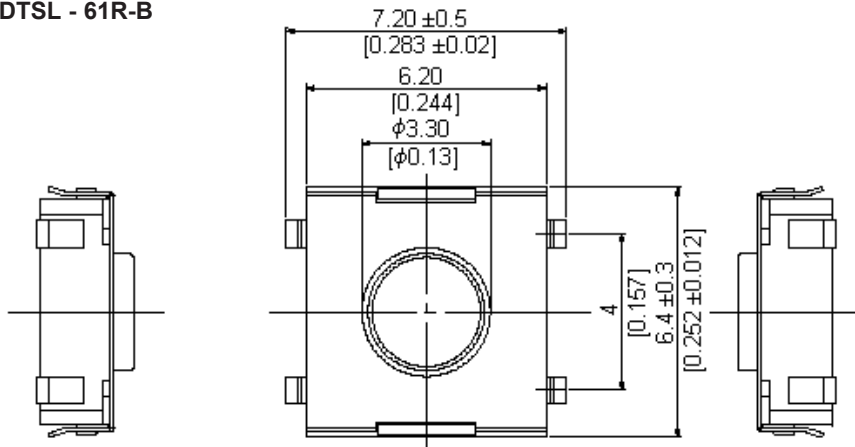
PART NO.

DTS Series

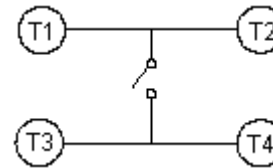
REVISIONS

ECN #	REV	DESCRIPTION	DRAWN	DATE	CHECKD	DATE	APPRVD	DATE
-	A	RELEASED	S. K	11/4/06	K. S	11/4/06	N. K	25/4/06

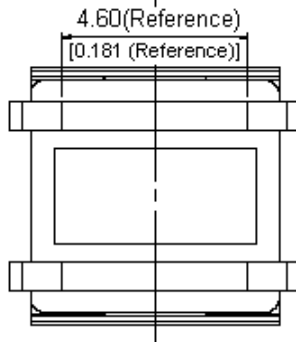
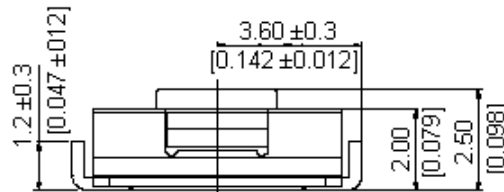
DTSL - 61R-B



PCB Layout



Circuit Diagram



Dimensions : Millimetres (Inches)

General Tolerance Maximum ±0.20mm

Features:

- Sharp click feel with a positive tactile feedback. Due to small movement distance (stroke), user experiences distinct sensation when the switch “clicks” into place.
- Ultraminiature and light weight structure suitable for high density mounting. Economic but high reliability.
- Insert moulding in the contact with special treatment prevents flux build-up during soldering and permits auto-dipping.

This data sheet and its contents (the "Information") belong to the Premier Farnell Group (the "Group") or are licensed to it. No licence is granted for the use of it other than for information purposes in connection with the products to which it relates. No licence of any intellectual property rights is granted. The Information is subject to change without notice and replaces all data sheets previously supplied. The Information supplied is believed to be accurate but the Group assumes no responsibility for its accuracy or completeness, any error in or omission from it or for any use made of it. Users of this data sheet should check for themselves the Information and the suitability of the products for their purpose and not make any assumptions based on information included or omitted. Liability for loss or damage resulting from any reliance on the Information or use of it (including liability resulting from negligence or where the Group was aware of the possibility of such loss or damage arising) is excluded. This will not operate to limit or restrict the Group's liability for death or personal injury resulting from its negligence. MULTICOMP is the registered trademark of the Group. © Premier Farnell plc 2004.

TOLERANCES:

UNLESS OTHERWISE SPECIFIED, DIMENSIONS ARE FOR REFERENCE PURPOSES ONLY.

DRAWN BY:	DATE:
S. Krishna	11/04/06
CHECKED BY:	DATE:
K. Suresh	11/04/06
APPROVED BY:	DATE:
N. Kiwomya	25/04/06

DRAWING TITLE:

DTS Series - TACT Switches

SIZE	DWG NO.	ELECTRONIC FILE	REV
A	M10000249	233660_1_DWG	A
SCALE: NTS	U.O.M.: mm (Inches)	SHEET: 1	OF 6



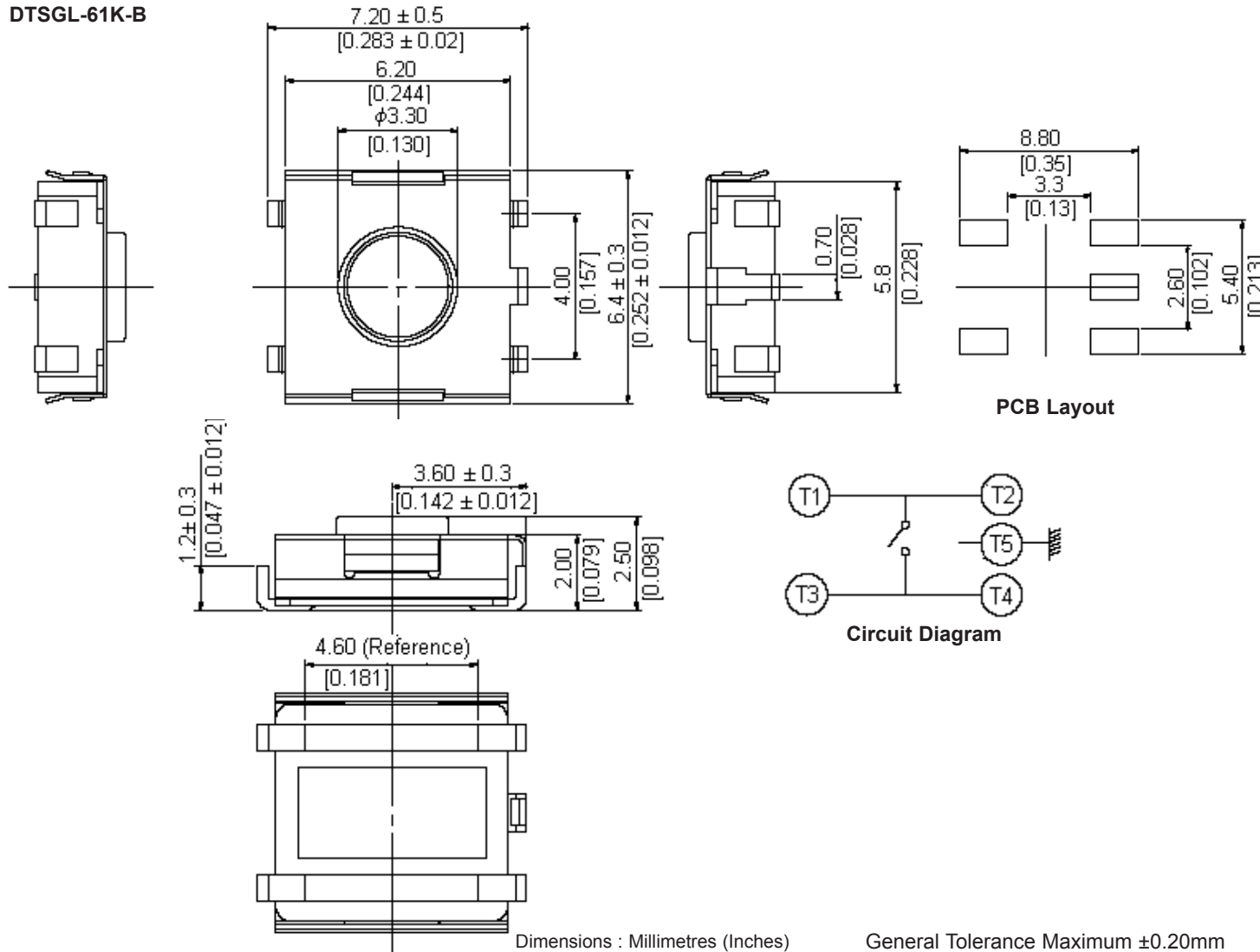
PART NO.

DTS Series

REVISIONS

ECN #	REV	DESCRIPTION	DRAWN	DATE	CHECKD	DATE	APPRVD	DATE
-	A	RELEASED	S. K	11/4/06	K. S	11/4/06	N. K	25/4/06

DTSGL-61K-B



Dimensions : Millimetres (Inches)

General Tolerance Maximum ±0.20mm

This data sheet and its contents (the "Information") belong to the Premier Farnell Group (the "Group") or are licensed to it. No licence is granted for the use of it other than for information purposes in connection with the products to which it relates. No licence of any intellectual property rights is granted. The Information is subject to change without notice and replaces all data sheets previously supplied. The Information supplied is believed to be accurate but the Group assumes no responsibility for its accuracy or completeness, any error in or omission from it or for any use made of it. Users of this data sheet should check for themselves the Information and the suitability of the products for their purpose and not make any assumptions based on information included or omitted. Liability for loss or damage resulting from any reliance on the Information or use of it (including liability resulting from negligence or where the Group was aware of the possibility of such loss or damage arising) is excluded. This will not operate to limit or restrict the Group's liability for death or personal injury resulting from its negligence. MULTICOMP is the registered trademark of the Group. © Premier Farnell plc 2004.

TOLERANCES:

UNLESS OTHERWISE SPECIFIED, DIMENSIONS ARE FOR REFERENCE PURPOSES ONLY.

DRAWN BY:	DATE:
S. Krishna	11/04/06
CHECKED BY:	DATE:
K. Suresh	11/04/06
APPROVED BY:	DATE:
N. Kiwomya	25/04/06

DRAWING TITLE:

DTS Series - TACT Switches

SIZE <b>A</b>	DWG NO. <b>M10000249</b>	ELECTRONIC FILE <b>233660_1_DWG</b>	REV <b>A</b>
SCALE: NTS	U.O.M.: mm (Inches)	SHEET: 2 OF 6	



PART NO.

DTS Series

REVISIONS

ECN #	REV	DESCRIPTION	DRAWN	DATE	CHECKD	DATE	APPRVD	DATE
-	A	RELEASED	S. K	11/4/06	K. S	11/4/06	N. K	25/4/06

**Materials:**

- Cover : Steel, tin plated.
- Base : Nylon thermoplastic.  
Colour : Black.
- Stem : Nylon thermoplastic.  
Colour : Black (100gf) and Red (260gf).
- Contact Disc : Phosphor bronze with silver cladding.
- Terminal : Brass with silver cladding.

**Specifications:**

**Mechanical:**

- Operation Force : 260 ±50gf Red (R)  
100 ±50gf Black (K).
- Stroke : (6 x 6)0.25 (+0.2mm/-0.1mm).
- Operating Temperature Range : -25°C to +70°C.
- Storage Temperature Range : -30°C to +80°C.
- Vibration Test : MIL-STD-202F Method 201A.  
Frequency : 10 - 55 - 10Hz/1 minute.  
Directions : X, Y, Z, three mutually perpendicular directions.  
Time : 2 hours each direction.  
High reliability.
- Shock Test : MIL-STD-202F Method 213B.  
Condition A.  
Gravity : 50G (peak value), 11 milliseconds.  
Direction and Times : 6 sides and 3 times in each direction.  
High reliability.

This data sheet and its contents (the "Information") belong to the Premier Farnell Group (the "Group") or are licensed to it. No licence is granted for the use of it other than for information purposes in connection with the products to which it relates. No licence of any intellectual property rights is granted. The Information is subject to change without notice and replaces all data sheets previously supplied. The Information supplied is believed to be accurate but the Group assumes no responsibility for its accuracy or completeness, any error in or omission from it or for any use made of it. Users of this data sheet should check for themselves the Information and the suitability of the products for their purpose and not make any assumptions based on information included or omitted. Liability for loss or damage resulting from any reliance on the Information or use of it (including liability resulting from negligence or where the Group was aware of the possibility of such loss or damage arising) is excluded. This will not operate to limit or restrict the Group's liability for death or personal injury resulting from its negligence. MULTICOMP is the registered trademark of the Group. © Premier Farnell plc 2004.

**TOLERANCES:**

**UNLESS OTHERWISE SPECIFIED, DIMENSIONS ARE FOR REFERENCE PURPOSES ONLY.**

<b>DRAWN BY:</b>	<b>DATE:</b>
S. Krishna	11/04/06
<b>CHECKED BY:</b>	<b>DATE:</b>
K. Suresh	11/04/06
<b>APPROVED BY:</b>	<b>DATE:</b>
N. Kiwomya	25/04/06

**DRAWING TITLE:**

**DTS Series - TACT Switches**

<b>SIZE</b> A	<b>DWG NO.</b> M10000249	<b>ELECTRONIC FILE</b> 233660_1_DWG	<b>REV</b> A
<b>SCALE: NTS</b>		<b>U.O.M.: mm (Inches)</b>	<b>SHEET: 3 OF 6</b>



PART NO.

DTS Series

REVISIONS

ECN #	REV	DESCRIPTION	DRAWN	DATE	CHECKD	DATE	APPRVD	DATE
-	A	RELEASED	S. K	11/4/06	K. S	11/4/06	N. K	25/4/06

**Specifications:**

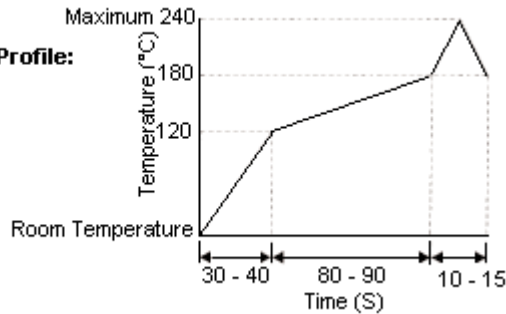
**Electrical:**

- Electrical Life : 50,000 cycles for 260gf.  
500,000 cycles for 100gf.
- Contact Resistance : 100mΩ maximum.
- Insulation Resistance : 100MΩ minimum at 500V dc.
- Dielectric Strength : 250V ac/1 minute.
- Contact Arrangement : 1 Pole 1 throw.

**Soldering Process:**

- Hand Soldering : Use a soldering iron of 30 watts, controlled at 608°F (320°C) approximately 2 seconds while applying solder.
- Reflow Soldering : When applying reflow soldering, the peak temperature or the reflow oven should be set to 240°C maximum.
- Condition for soldering (Reflow and non-washable type).

**Temperature Profile:**



**Part Number Table**

Rating	Part Number
50mA at 12V dc	DTSG-L-61K-B
	DTSL-61R-B

This data sheet and its contents (the "Information") belong to the Premier Farnell Group (the "Group") or are licensed to it. No licence is granted for the use of it other than for information purposes in connection with the products to which it relates. No licence of any intellectual property rights is granted. The Information is subject to change without notice and replaces all data sheets previously supplied. The Information supplied is believed to be accurate but the Group assumes no responsibility for its accuracy or completeness, any error in or omission from it or for any use made of it. Users of this data sheet should check for themselves the Information and the suitability of the products for their purpose and not make any assumptions based on information included or omitted. Liability for loss or damage resulting from any reliance on the Information or use of it (including liability resulting from negligence or where the Group was aware of the possibility of such loss or damage arising) is excluded. This will not operate to limit or restrict the Group's liability for death or personal injury resulting from its negligence. MULTICOMP is the registered trademark of the Group. © Premier Farnell plc 2004.

**TOLERANCES:**  
**UNLESS OTHERWISE SPECIFIED, DIMENSIONS ARE FOR REFERENCE PURPOSES ONLY.**

<b>DRAWN BY:</b>	<b>DATE:</b>
S. Krishna	11/04/06
<b>CHECKED BY:</b>	<b>DATE:</b>
K. Suresh	11/04/06
<b>APPROVED BY:</b>	<b>DATE:</b>
N. Kiwomya	25/04/06

**DRAWING TITLE:**

**DTS Series - TACT Switches**

<b>SIZE</b> A	<b>DWG NO.</b> M10000249	<b>ELECTRONIC FILE</b> 233660_1_DWG	<b>REV</b> A
<b>SCALE: NTS</b>		<b>U.O.M.: mm (Inches)</b>	<b>SHEET: 4 OF 6</b>



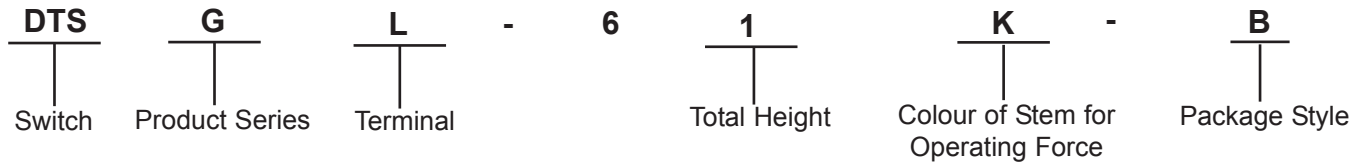
PART NO.

DTS Series

REVISIONS

ECN #	REV	DESCRIPTION	DRAWN	DATE	CHECKD	DATE	APPRVD	DATE
-	A	RELEASED	S. K	11/4/06	K. S	11/4/06	N. K	25/4/06

Part Number Explanation:



- Switch** : Tactile Switch.
- Product Series** : G = With Ground Terminal,  = Without Ground Terminal.
- Terminal** : L = With L S.M.T Terminal.
- Total Height** : 1 = 2.5mm.
- Colour of Stem Operating Force** : K = Black, R = Red.
- Package Style** : B = Tube.

This data sheet and its contents (the "Information") belong to the Premier Farnell Group (the "Group") or are licensed to it. No licence is granted for the use of it other than for information purposes in connection with the products to which it relates. No licence of any intellectual property rights is granted. The Information is subject to change without notice and replaces all data sheets previously supplied. The Information supplied is believed to be accurate but the Group assumes no responsibility for its accuracy or completeness, any error in or omission from it or for any use made of it. Users of this data sheet should check for themselves the Information and the suitability of the products for their purpose and not make any assumptions based on information included or omitted. Liability for loss or damage resulting from any reliance on the Information or use of it (including liability resulting from negligence or where the Group was aware of the possibility of such loss or damage arising) is excluded. This will not operate to limit or restrict the Group's liability for death or personal injury resulting from its negligence. MULTICOMP is the registered trademark of the Group. © Premier Farnell plc 2004.

<b>TOLERANCES:</b>  <b>UNLESS OTHERWISE SPECIFIED, DIMENSIONS ARE FOR REFERENCE PURPOSES ONLY.</b>	<b>DRAWN BY:</b>	S. Krishna	<b>DATE:</b>	11/04/06				
	<b>CHECKED BY:</b>	K. Suresh	<b>DATE:</b>	11/04/06				
	<b>APPROVED BY:</b>	N. Kiwomya	<b>DATE:</b>	25/04/06				
	<b>DRAWING TITLE:</b>		<b>DTS Series - TACT Switches</b>					
	<b>SIZE</b>	<b>DWG NO.</b>	<b>M10000249</b>		<b>ELECTRONIC FILE</b>	<b>233660_1_DWG</b>		<b>REV</b>
<b>SCALE: NTS</b>			<b>U.O.M.: mm (Inches)</b>			<b>SHEET: 5 OF 6</b>		



PART NO.

DTS Series

REVISIONS

ECN #	REV	DESCRIPTION	DRAWN	DATE	CHECKD	DATE	APPRVD	DATE
-	A	RELEASED	S. K	11/4/06	K. S	11/4/06	N. K	25/4/06

Notes:

International Sales Offices:

- AUSTRALIA - Farnell InOne**  
Tel No: ++ 61 2 9645 8888  
Fax No: ++ 61 2 9644 7898
- AUSTRIA - Farnell InOne**  
Tel No: ++ 43 662 2180 680  
Fax No: ++ 43 662 2180 670
- BELGIUM - Farnell InOne**  
Tel No: ++ 32 3 475 2810  
Fax No: ++ 32 3 227 3648
- BRAZIL - Farnell-Newark InOne**  
Tel No: ++ 55 11 4066 9400  
Fax No: ++ 55 11 4066 9410
- CHINA - Farnell-Newark InOne**  
Tel No: ++86 10 6238 5152  
Fax No: ++86 10 6238 5022
- DENMARK - Farnell InOne**  
Tel No: ++ 45 44 53 66 44  
Fax No: ++ 45 44 53 66 06
- ESTONIA - Farnell InOne**  
Tel No: ++ 358 9 560 7780  
Fax No: ++ 358 9 345 5411
- FINLAND - Farnell InOne**  
Tel No: ++ 358 9 560 7780  
Fax No: ++ 358 9 345 5411
- FRANCE - Farnell InOne**  
Tel No: ++ 33 474 68 99 99  
Fax No: ++ 33 474 68 99 90
- GERMANY - Farnell InOne**  
Tel No: ++ 49 89 61 39 39 39  
Fax No: ++ 49 89 613 59 01
- HONG KONG - Farnell-Newark InOne**  
Tel No: ++ 852 2268 9888  
Fax No: ++ 852 2268 9899
- IRELAND - Farnell InOne**  
Tel No: ++ 353 1 830 9277  
Fax No: ++ 353 1 830 9016
- ITALY - Farnell InOne**  
Tel No: ++ 39 02 93 995 200  
Fax No: ++ 39 02 93 995 300
- MALAYSIA - Farnell-Newark InOne**  
Tel No: ++ 60 3 7873 8000  
Fax No: ++ 60 3 7873 7000
- NETHERLANDS - Farnell InOne**  
Tel No: ++ 31 30 241 7373  
Fax No: ++ 31 30 241 7333
- NORWAY - Farnell InOne**  
Tel No: ++ 45 44 53 66 66  
Fax No: ++ 45 44 53 66 02
- PORTUGAL - Farnell InOne**  
Tel No: ++ 34 93 475 8804  
Fax No: ++ 34 93 474 5288
- SINGAPORE - Farnell-Newark InOne**  
Tel No: ++ 65 6788 0200  
Fax No: ++ 65 6788 0300
- SPAIN - Farnell InOne**  
Tel No: ++ 34 93 475 8805  
Fax No: ++ 34 93 474 5107
- SWEDEN - Farnell InOne**  
Tel No: ++ 46 8 730 50 00  
Fax No: ++ 46 8 83 52 62
- SWITZERLAND - Farnell InOne**  
Tel No: ++ 41 1 204 64 64  
Fax No: ++ 41 1 204 64 54
- UK - Farnell InOne**  
Tel No: ++ 44 8701 200 200  
Fax No: ++ 44 8701 200 201
- UK - BuckHickman InOne**  
++ 44 8450 510 150  
++ 44 8450 510 130
- UK - CPC**  
++ 44 8701 202 530  
++ 44 8701 202 531

**export** EXPORT - Farnell InOne  
Tel No: ++ 44 8701 200 208  
Fax No: ++ 44 8701 200 209  
For enquiries from all other markets

- <http://www.farnellinone.com>
- <http://www.buckhickmaninone.com>
- <http://www.cpc.co.uk>

This data sheet and its contents (the "Information") belong to the Premier Farnell Group (the "Group") or are licensed to it. No licence is granted for the use of it other than for information purposes in connection with the products to which it relates. No licence of any intellectual property rights is granted. The Information is subject to change without notice and replaces all data sheets previously supplied. The Information supplied is believed to be accurate but the Group assumes no responsibility for its accuracy or completeness, any error in or omission from it or for any use made of it. Users of this data sheet should check for themselves the Information and the suitability of the products for their purpose and not make any assumptions based on information included or omitted. Liability for loss or damage resulting from any reliance on the Information or use of it (including liability resulting from negligence or where the Group was aware of the possibility of such loss or damage arising) is excluded. This will not operate to limit or restrict the Group's liability for death or personal injury resulting from its negligence. MULTICOMP is the registered trademark of the Group. © Premier Farnell plc 2004.

**TOLERANCES:**  
**UNLESS OTHERWISE SPECIFIED, DIMENSIONS ARE FOR REFERENCE PURPOSES ONLY.**

<b>DRAWN BY:</b>	<b>DATE:</b>
S. Krishna	11/04/06
<b>CHECKED BY:</b>	<b>DATE:</b>
K. Suresh	11/04/06
<b>APPROVED BY:</b>	<b>DATE:</b>
N. Kiwomya	25/04/06

<b>DRAWING TITLE:</b>			
<b>DTS Series - TACT Switches</b>			
<b>SIZE</b>	<b>DWG NO.</b>	<b>ELECTRONIC FILE</b>	<b>REV</b>
<b>A</b>	<b>M10000249</b>	<b>233660_1_DWG</b>	<b>A</b>
<b>SCALE: NTS</b>		<b>U.O.M.: mm (Inches)</b>	<b>SHEET: 6 OF 6</b>