

## FEATURES AND SPECIFICATIONS

### Features and Benefits

- Sizes 2 to 24 circuits available
- Optional voided circuits available
- Various pin lengths available (contact Molex)
- May be purchased in full 24 circuit sticks and broken into required circuit sizes

### Reference Information

Product Specification: PS-41186/08-50

Packaging: Bag

Tooling Information: See cutting tool section

UL File No.: E29179

CSA File No.: LR19980

TUV File No.: R75108

Mates With: [2139](#), [2145](#), [6442](#), [7674](#), [7675](#), [41695](#)

and [41815](#)

Designed In: Inches

### Electrical

Voltage: 250V AC max.

Current: 7.0A max.\*

Contact Resistance: 6mΩ max.

Dielectric Withstanding Voltage: 1500V

Insulation Resistance: 50K MΩ min.

### Mechanical

Durability:

Tin—25 cycles max.

Gold—100 cycles max.

### Physical

Housing: Black glass-filled polyester, UL 94V-0

Contact: Brass, 1.14mm (.045") pins

Plating: See Table

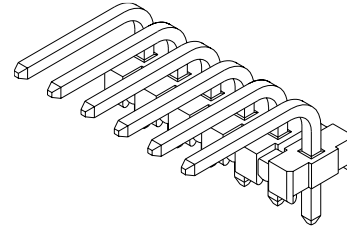
Operating Temperature: 0 to +75°C

**molex®** **3.96mm (.156") Pitch**  
**KK®**

**Breakaway Header**

**41662**

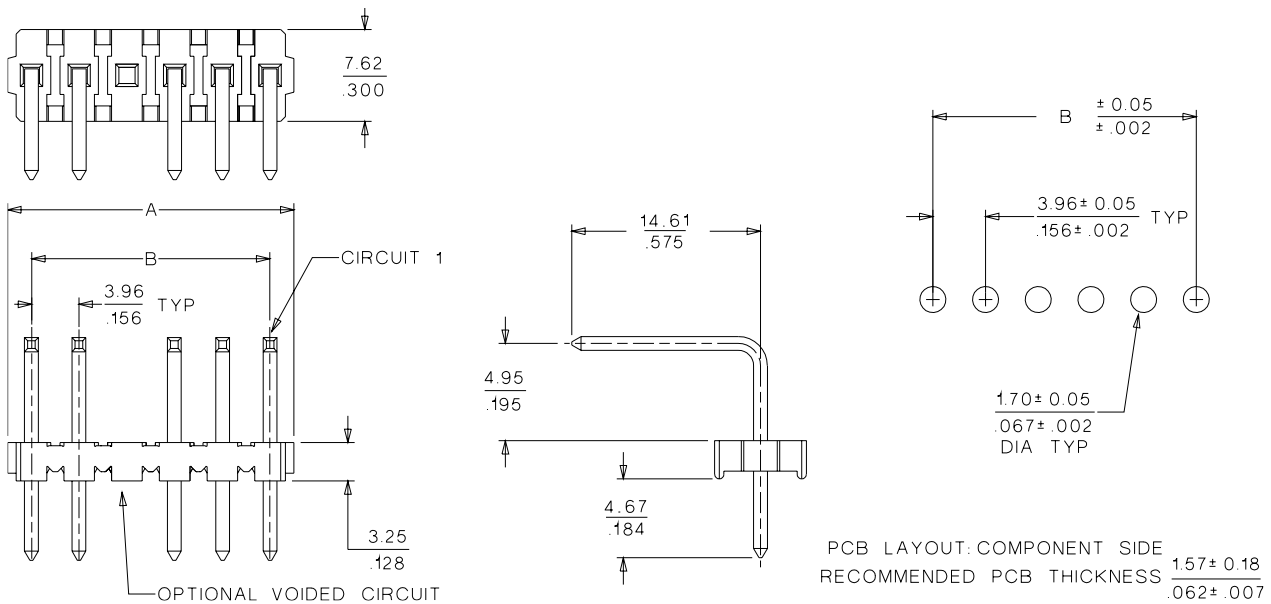
**Right Angle**



**D**

**3.00 to 7.92mm (.118 to .312") Pitch**

## CATALOG DRAWING (FOR REFERENCE ONLY)



## ORDERING INFORMATION AND DIMENSIONS

Circuits	Order No.				Dimension	
	Tin	15μ" Select Gold	30μ" Select Gold	Overall Gold	A	B
2	26-48-1022	41662-0001	41662-0024	26-48-2022	6.78 (.267)	3.96 (.156)
3	26-48-1032	41662-0002	41662-0025	26-48-2032	10.74 (.423)	7.92 (.312)
4	26-48-1042	41662-0003	41662-0026	26-48-2042	14.71 (.579)	11.89 (.468)
5	26-48-1052	41662-0004	41662-0027	26-48-2052	18.67 (.735)	15.85 (.624)
6	26-48-1062	41662-0005	41662-0028	26-48-2062	22.63 (.891)	19.81 (.780)
7	26-48-1072	41662-0006	41662-0029	26-48-2072	26.59 (1.047)	23.77 (.936)
8	26-48-1082	41662-0007	41662-0030	26-48-2082	30.56 (1.203)	27.74 (1.092)
9	26-48-1092	41662-0008	41662-0031	26-48-2092	34.52 (1.359)	31.71 (1.248)
10	26-48-1102	41662-0009	41662-0032	26-48-2102	38.48 (1.515)	35.66 (1.404)
11	26-48-1112	41662-0010	41662-0033	26-48-2112	42.44 (1.671)	39.62 (1.560)
12	26-48-1122	41662-0011	41662-0034	26-48-2122	46.41 (1.827)	43.59 (1.716)
13	26-48-1132	41662-0012	41662-0035	26-48-2132	50.37 (1.983)	47.55 (1.872)

Circuits	Order No.				Dimension	
	Tin	15μ" Select Gold	30μ" Select Gold	Overall Gold	A	B
14	26-48-1142	41662-0013	41662-0036	26-48-2142	54.33 (2.139)	51.51 (2.028)
15	26-48-1152	41662-0014	41662-0037	26-48-2152	58.29 (2.295)	55.47 (2.184)
16	26-48-1162	41662-0015	41662-0038	26-48-2162	62.26 (2.451)	59.44 (2.340)
17	26-48-1172	41662-0016	41662-0039	26-48-2172	66.22 (2.607)	63.40 (2.496)
18	26-48-1182	41662-0017	41662-0040	26-48-2182	70.18 (2.763)	67.36 (2.652)
19	26-48-1192	41662-0018	41662-0041	26-48-2192	74.14 (2.919)	71.32 (2.808)
20	26-48-1202	41662-0019	41662-0042	26-48-2202	78.11 (3.075)	75.29 (2.964)
21	26-48-1212	41662-0020	41662-0043	26-48-2212	82.07 (3.231)	79.25 (3.120)
22	26-48-1222	41662-0021	41662-0044	26-48-2222	86.03 (3.387)	83.21 (3.276)
23	26-48-1232	41662-0022	41662-0045	26-48-2232	89.94 (3.541)	87.17 (3.432)
24	26-48-1242	41662-0023	41662-0046	26-48-2242	93.85 (3.695)	91.14 (3.588)

\* Dependent upon connector and PC board

Note: Circuit number designation is for ordering purposes only, check corresponding circuit designation on mating connector