

Contents:

OT 16...125

Selection table for OT 16...125 5/2 - 5/3

Ordering information OT 16...125 5/4 - 5/5

Switch-Disconnectors

- Base and DIN-rail mounting switch-disconnectors 5/4
- Door mounting switch-disconnectors 5/4

Accessories

- Fourth pole 5/4
- Neutral terminals 5/4
- Handles for base and DIN-rail mounted switches 5/5
- Extended shafts 5/5
- Handles for door mounted switches 5/5
- Auxiliary contacts 5/6
- Terminal shrouds 5/6
- Attachment kits 5/7
- Conversion kits for the combination switches 5/7

Dimension drawings OT 16...125 5/10 - 5/13

Contact functions 5/15

OT 160

Selection table for OT 160 5/8

Ordering information OT 160 5/9

Switch-Disconnectors

- Front operated switch-disconnectors 5/9

Accessories

- Auxiliary contacts blocks and accessories 5/9
- Optional plastic handles and handle support 5/9
- Extended shafts 5/9

Dimension Drawings 5/14

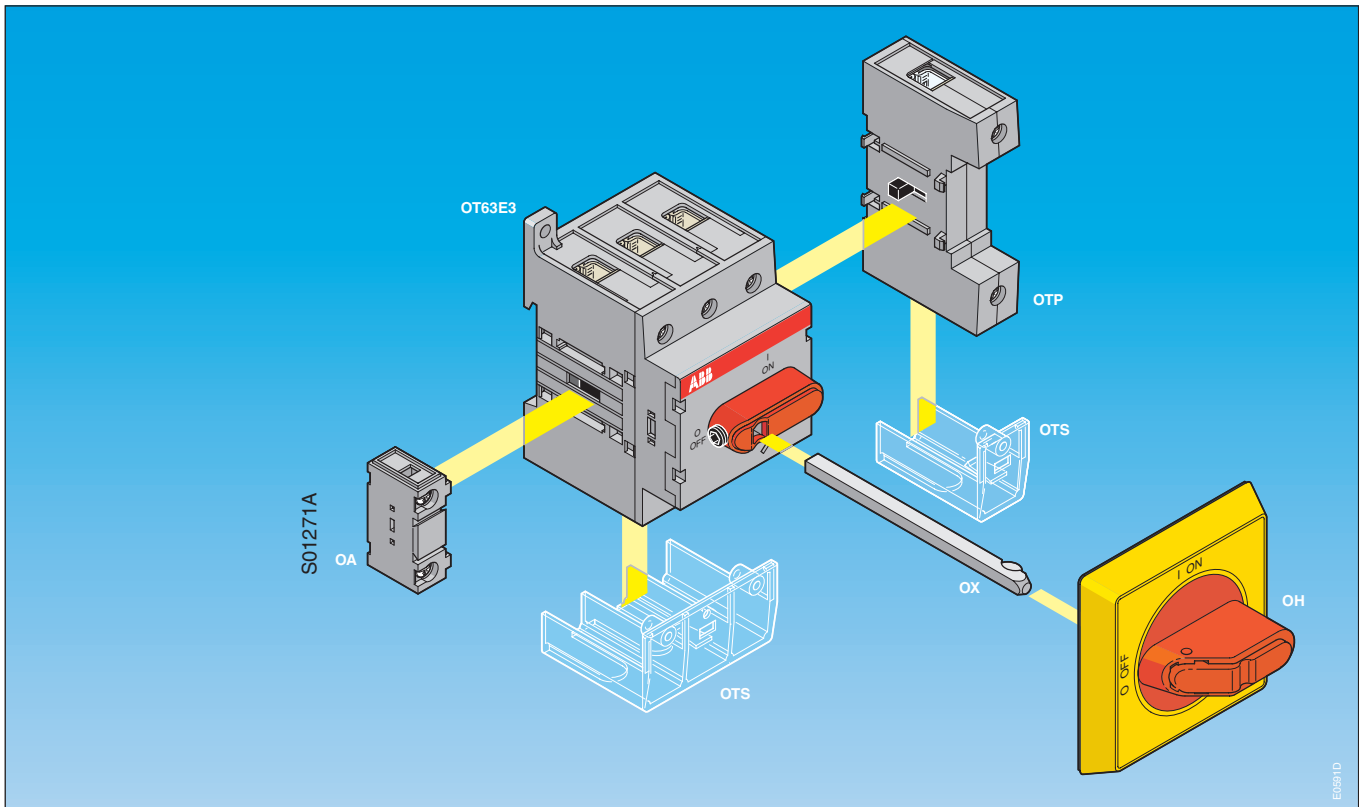
Contact functions 5/15



SwitchLine

Selection table, OT 16...125

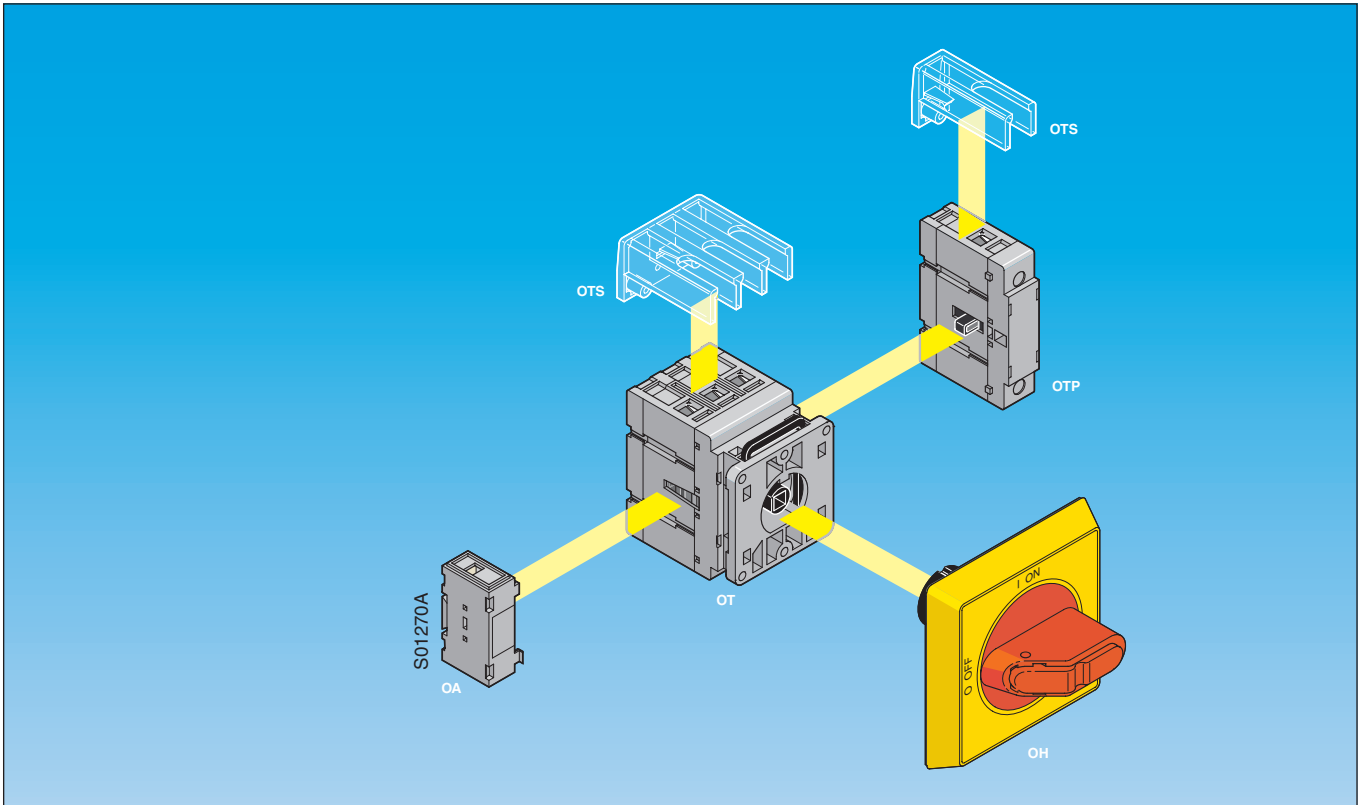
Base or DIN rail mounted switch-disconnectors








Size	16	25	40	63	80	80	100	125
SwitchLine types	OT16E_ OT25E_ OT32E_			OT45E_ OT63E_		OT80E_	OT100E_ OT125E_	
4th pole	OTP_32_ (right or left)			OTP_63_ (right or left)		OTP_80_ (right or left)	OTP_125_ (right or left)	
Handles IP 54	OH_1_ Black, yellow-red, silver, grey						OH_3_ Black, yellow-red, silver, grey, (padlockable)	
Handles IP 65	OH_2_ Black, yellow-red, silver, grey OH_45J5 Black, yellow-red, grey OH_65J5 Black, yellow-red, grey							
Extended shafts	OX_ Length : 85...400 mm							
Auxiliary contacts	OA1G_ Side mounting 1NC, 1NO							
Terminal shrouds	OTS 32_			OTS 63_		OTS 80_	OTS 125_	

SwitchLine

Selection table, OT 16...125
Door mounted switch-disconnectors

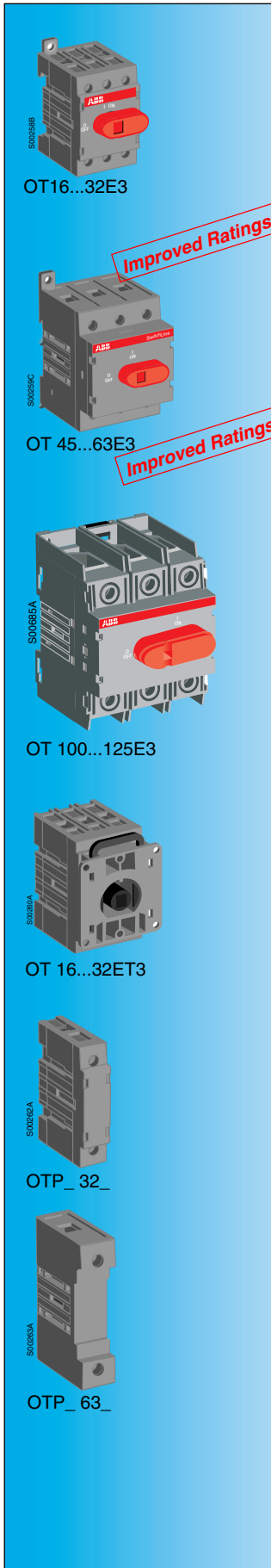


Size	16	25	40	63	80	100	125
Switch Line types	OT16ET_ OT25ET_ OT32ET_			OT45ET_ OT63ET_		OT100ET_ OT125ET_	
4th pole	 OTP_32_ (right or left)			 OTP_63_ (right or left)		 OTP_125_ (right or left)	
Handles IP 54 Black,yellow-red, silver and grey	 OH_1P_ OH_3P_ OH_1R_ OH_3R_						
Handles IP 65 Black,yellow-red, silver and grey	 OH_2P_ OH_2R_		 OH_2R_				
Auxiliary contacts	 OA1G_ Side mounting : 1NC, 1NO						
Terminal shrouds	 OTS 32_			 OTS 63_		 OTS 125_	

SwitchLine

Ordering Information

OT 16...125



Base and DIN-rail mounting switch-disconnectors

OT 32E, OT 45E and OT 63E switch-disconnectors with improved ratings

Including protected terminal clamps, IP 20. Handle and shaft have to be ordered separately.

Number of poles	I _{th} (open) [A]	Cable cross section [mm ²]	Operational currents AC22/AC23 415V [A/A]	Type	Order number	Recomm. order quantity [pcs]	Weight/ one pc [kg]
3	25	0.75...10	16 / 16	OT 16E3	1SCA022283R8470	10	0.11
3	32	0.75...10	25 / 20	OT 25E3	1SCA022283R8630	10	0.11
3	40	0.75...10	40 / 23	OT 32E3	1SCA022283R9010	10	0.11
3	63	1.5...35	63 / 45	OT 45E3	1SCA022352R6950	10	0.27
3	80	1.5...35	80 / 75	OT 63E3	1SCA022352R7090	10	0.27
3	125	10...70	125 / 90	OT 125E3	1SCA022353R7480	10	0.36

Door mounting switch-disconnectors

Including protected terminal clamps, IP 20. The handle has to be ordered separately.

3	25	0.75...10	16 / 16	OT 16ET3	1SCA022352R6610	10	0.13
3	32	0.75...10	25 / 20	OT 25ET3	1SCA022352R6790	10	0.13
3	40	0.75...10	40 / 23	OT 32ET3	1SCA022352R6870	10	0.13
3	63	1.5...35	63 / 45	OT 45ET3	1SCA022353R7050	10	0.28
3	80	1.5...35	80 / 75	OT 63ET3	1SCA022353R7130	10	0.28
3	125	10...70	125 / 90	OT 125ET3	1SCA022353R7560	10	0.40

Fourth Pole

For OT 16...32: dovetail mounting.

For OT 45E, 63E, 80E, 100E, 125E: snap-on mounting.

Suitable for switches	Type	Order number	Recomm. order qty [pcs]	Weight one pc [kg]
Simultaneous function with the main contacts				
OT 16...32E3	OTPS 32EP	1SCA022348R2480	10	0.03
OT 45...63E3	OTPS 63EP	1SCA022353R5350	10	0.06
OT 100...125E3	OTPS 125EP	1SCA022379R8010	10	0.14
OT 16...32ET3	OTPS 32ED	1SCA022353R5270	10	0.03
OT 45...63ET3	OTPS 63ED	1SCA022347R4110	10	0.06
OT 100...125ET3	OTPS 125ED	1SCA022379R7980	10	0.14

Neutral terminals

For OT 16...32: dovetail mounting.

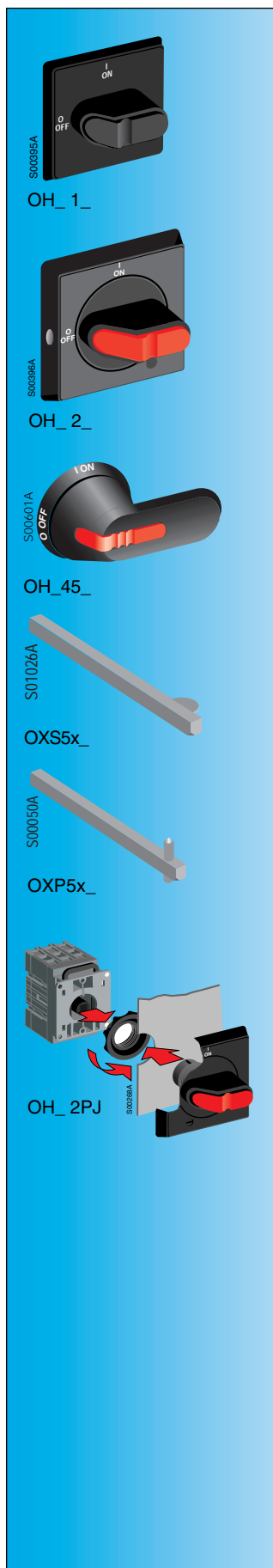
Detachable neutral

OT 16...32E3	OTPD 32EP	1SCA022353R6080	10	0.03
OT 45...63E3	OTPD 63EP	1SCA022353R6240	10	0.06
OT 100...125E3	OTPD 125EP	1SCA022379R9170	10	0.14
OT 16...32ET3	OTPD 32ED	1SCA022353R6160	10	0.03
OT 45...63ET3	OTPD 63ED	1SCA022371R5840	10	0.06
OT 100...125ET3	OTPD 125ED	1SCA022379R9500	10	0.14

SwitchLine

Ordering Information

OT 16...125, Accessories



Handles for base and DIN-rail mounted switches

Indication I-O and ON-OFF, shaft (diameter 5 mm) has to be ordered separately, door drilling 22,5 mm.

Selector type handles

Description	Type	Order number	Recomm. order qty
-------------	------	--------------	-------------------

IP 54 handles, suitable for OT16...80E

Black	OHB 1AH	1SCA022347R3810	150
Yellow-red	OHY 1AH	1SCA022347R3900	

IP 54 handles, door interlock in ON-position, suitable for OT16...80E

Black	OHB 1AH1	1SCA022364R6340	150
Yellow-red	OHY 1AH1	1SCA022364R6420	

IP 54 handles, padlockable with one padlock with bail diameter 5...6.3 mm, suitable for OT16...125E

Black	OHB 3AH	1SCA022428R8960	150
Yellow-red	OHY 3AH	1SCA022428R9180	

IP 65 handles, padlockable with max. 3 padlocks with bail diameter 5...8 mm, door interlock in ON-position, defeatable, suitable for OT16...125E

Black	OHB 2AJ	1SCA022347R4030	120
Yellow-red	OHY 2AJ	1SCA022353R2840	

Pistol type handles, IP 65, shaft diameter 5 mm

Padlockable with max. 3 padlocks with bail diameter 5...10 mm in OFF-position, door interlock in ON-position, defeatable2). Indication in types OHB_ and OHY_: I-O/ON-OFF, suitable for OT16...125E.

Handle length 45 mm

Black	OHB 45J5	1SCA022380R8180	100
Yellow-red	OHY 45J5	1SCA022380R8340	

Extended shafts ¹⁾

For selector type handles

Shaft length [mm]	Diameter [mm]	Type	Order number	Recomm. order qty
85	5	OXS5x85	1SCA022347R3570	10
180	5	OXS5x180	1SCA022353R4620	10
330	5	OXS5x330	1SCA022353R4710	10

For pistol type handles

150	5	OXP5x150	1SCA022376R7300	10
265	5	OXP5x265	1SCA022376R7560	10
400	5	OXP5x400	1SCA022376R7640	10

Handles for door mounted switches

Indication I-O and ON-OFF. No separate shaft needed.

Description	Type	Order number	Recomm. order qty
-------------	------	--------------	-------------------

Snap-on mounting, door drilling 22,5 mm

No padlocking, suitable for OT16...32ET, IP 54

Black	OHB 1PH	1SCA022353R1610	150
Yellow-red	OHY 1PH	1SCA022353R1870	

Padlockable with one padlock, suitable for OT16...32ET, IP 54

Black	OHB 3PH	1SCA022428R9260	150
Yellow-red	OHY 3PH	1SCA022400R3120	

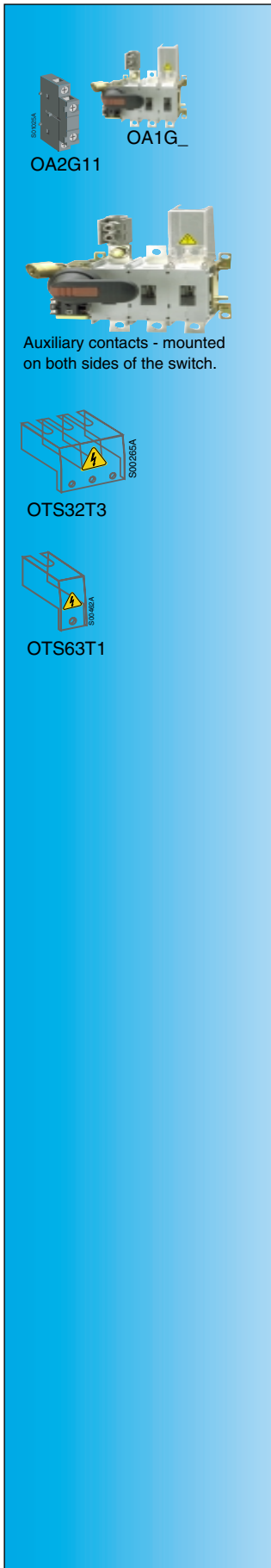
Padlockable with max. 3 padlocks, suitable for OT16...32ET, IP 65

Black	OHB 2PJ	1SCA022353R2680	120
Yellow-red	OHY 2PJ	1SCA022353R2920	

SwitchLine

Ordering Information

OT 16...125, Accessories



Auxiliary contacts

Snap-on mounting to the switch, IP 20. $I_{th} = 16A$, cable cross section max. $2 \times 2.5 \text{ mm}^2$.

Performance data U_e / I_e (AC15): 230V/6A, 400V/4A, 415V/4A, 690V/2A. Early-break types (OA1G10)

Description	Suitable for switches	Type	Order number	Recomm. order qty [pcs]	Weight one pc [kg]
1NC $\begin{matrix} \diagup & 21(31) \\ \diagdown & 22(32) \end{matrix}$	OT_	OA1G01 ¹⁾³⁾	1SCA022353R4890	10	0.03
1NO $\begin{matrix} & 13(43) \\ & 14(44) \end{matrix}$	OT_	OA1G10 ²⁾³⁾	1SCA022353R4970	10	0.03
1NO $\begin{matrix} & 13 & \diagup & 21 \\ & 14 & \diagdown & 22 \end{matrix}$ +1NC	OT_E	OA2G11 ³⁾	1SCA022379R8100	10	0.03

Terminal shrouds

Snap-on mounting to the switch, transparent.

Suitable for switches	Type	Order number	Recomm. order qty [kg]	Weight one pc [pcs]
For 3-pole switches				
OT 16...32E3, -ET3	OTS 32T3	1SCA022353R6670	10	0.01
OT45...63E3, -ET3	OTS 63T3	1SCA022353R6750	10	0.01
OT 100...125E3, ET3	OTS 125T3	1SCA022379R9680	10	0.01
For fourth and additional pole				
OTP_32E_	OTS 32T1	1SCA022353R6830	10	0.01
OTP_63E_	OTS 63T1	1SCA022353R6910	10	0.01
OTP_125E	OTS 125T1	1SCA022379R9760	10	0.01

¹⁾ Mountable on the left side of the switch, max. 2 pcs

²⁾ Mountable on the right side of the switch, max. 2 pcs

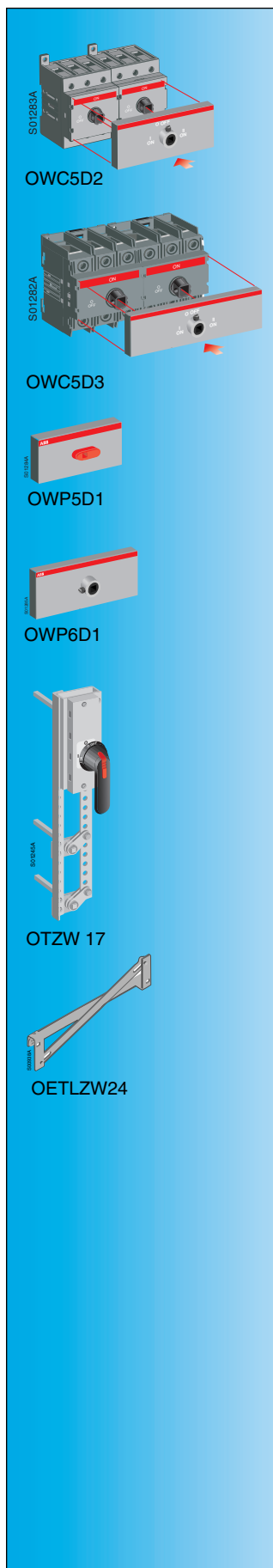
³⁾ For base-mounted switches only. Max. 4NO + 4NC.

(83) (43) (53) 13 $\begin{matrix} | & \diagup & \diagdown \\ | & \diagdown & \diagup \end{matrix}$ 21 (61) (31) (71)
(84) (44) (54) 14 $\begin{matrix} | & \diagup & \diagdown \\ | & \diagdown & \diagup \end{matrix}$ 22 (62) (32) (72)

SwitchLine

Ordering Information

OT 16...125, Accessories



Attachment kits

Change-over switches, as well as 6- and 8-pole switches can be built up by adding a compact snap-on kit on the top of two base and DIN-rail mounted switch-disconnectors. The kits do not require any additional foot print area, and the total width is twice the single unit width. The module needs only 12 mm extra space above the switch.

The fourth pole or auxiliary contacts can be mounted on the outer side of the combination.

Change-over switch kits

For switches	For shafts	Type	Order number
OT16...32E ²⁾	OXS5_, OXP5_	OWC5D1	1SCA022551R9220
OT45...80E	OXS5_, OXP5_	OWC5D2	1SCA022574R8760
OT100...125E	OXS5_, OXP5_	OWC5D3	1SCA022574R8840

Parallel attachment kits

OT16...32E ¹⁾	OXS5_, OXP5_	OWP5D1	1SCA022551R1160
OT45...80E	OXP6_	OWP6D1	1SCA022551R1830
OT100...125E	OXP6_	OWP6D2	1SCA022551R1910

Conversion kits for the combination switches

The attachment levers are provided with holes, enabling different shaft distances. The combination switches can be mounted either horizontally or vertically.

Suitable for switches	Shaft distance [mm]	Type	Order number	Package [pcs]
-----------------------	---------------------	------	--------------	---------------

By-pass switch

A combination of two handles in parallel with one change-over switch to pass-by- for ex. - a breaker for maintenance. In the kit a handle OHB80J6E011 with I-O-II -indication and shafts are included.

OT 16...125E	betw. A and B 90 + (0...6) x 15 betw. A and C 90 + (0...10) x 15	OTZW 17	1SCA022387R1620	1
--------------	---	---------	-----------------	---

Mechanical interlock ¹⁾

Prevents one switch from closing to ON-position, if the other is not in OFF-position. When mounted upside down, prevents one switch from opening to OFF-position, if the other is not in ON-position.

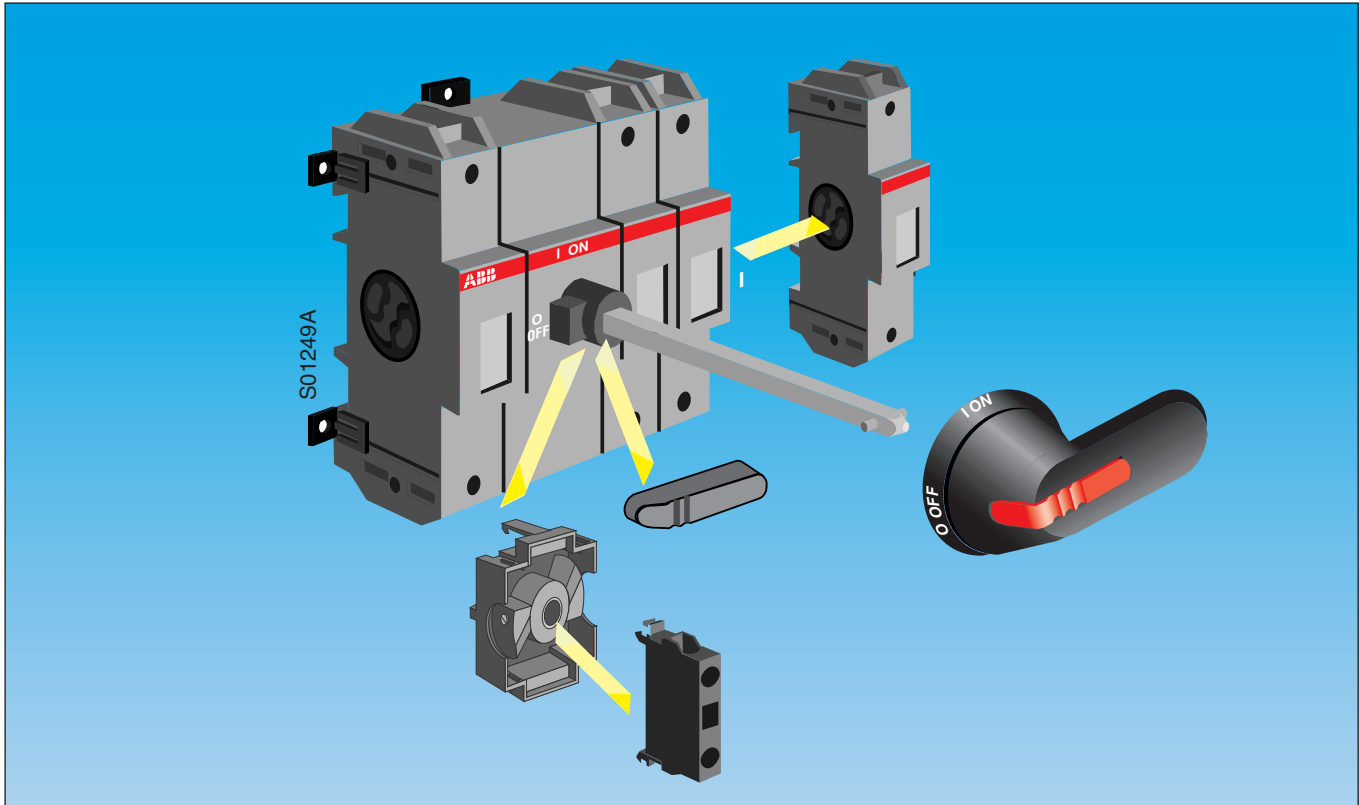
Shaft distance [mm]	Type	Order number	Package [pcs]
100	OETLZW24	1SCA022193R8560	1

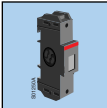

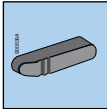
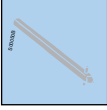
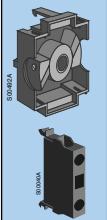
¹⁾ In type OWP5D1 there are stickers for different switch sizes which should be glued on the kit face.

²⁾ Available summer 2000.

SwitchLine

Selection table, switch-disconnectors
OT 160

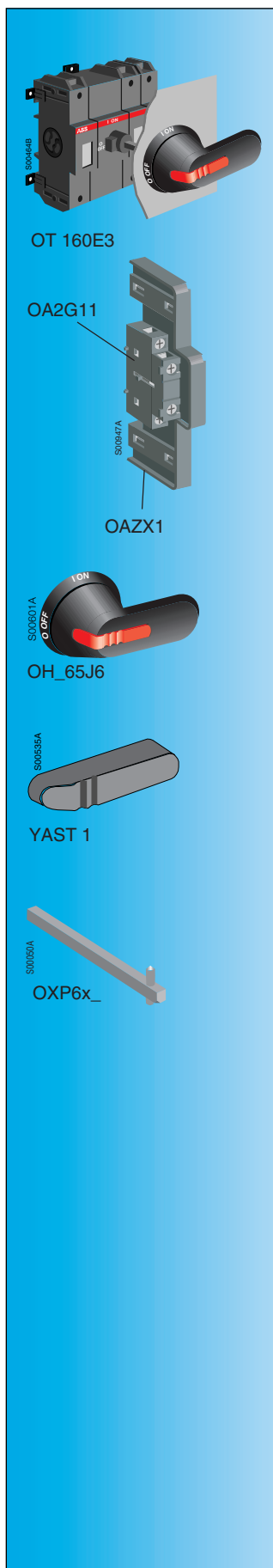


Size		160
SwitchLine types		OT 160 E_
- Front operated		
- Door mounted		OT160 ET_
4th pole		OTP_160 EP
Handles		OH_65J6 Black OH_80J6 Red/Yellow Grey
		YAST 1 Black
Shafts		OXP6X_ Shaft lengths from 130 mm up to 430 mm
Auxiliary contacts		OBEA_ + OEXNP 1 1 NO, 1 NC OA2G11 + OAZX1 (1 no + 1 nc)

SwitchLine

Ordering Information

OT 160



Front operated switch-disconnectors

Including the handle OHB65J6, IP 65, and shaft OXP6x210, length 210 mm.

Number of poles	I_{th} (open) [A]	Rated operat. currents AC22A/AC23A =400V [A/A]	Type	Order number	Weight [kg]	Pack-age [pcs]
3	200	160 ¹⁾ /135	OT 160E3	1SCA022257R5950	1.0	1
4	200		OT 160E4	1SCA022259R8060	1.3	1

Auxiliary contact blocks and accessories

Adapter for auxiliary contact blocks OA2G11

Aux.contact blocks, OA2G11 have to be ordered separately, see auxiliary contacts for OT16...125 switches. Mountable on the side of the switch.

Suitable for switches	Type	Order number	Pack-age [pcs]
OT 160E	OAZX1	1SCA022467R5140	1

Optional plastic handles

OH_ handles: IP 65, padlockable with three padlocks in OFF-position, door interlock in ON-position (defeatable¹⁾ to allow authorized personnel access for inspection).

The shaft has to be ordered separately. Screw fixing from back side of handle. No screws on front ensures double insulation.

Colour	Handle length [mm]	Shaft diamet. [mm]	Suitable for switch sizes	Type	Order number	Recomm. order qty	Pack-age [pcs]
--------	--------------------	--------------------	---------------------------	------	--------------	-------------------	----------------

Handles for front operated switches

Indication: in types OHB_ and OHY_: I-O/ON-OFF, in types OHG_: I-O.

Black	65	6		OHB 65J6	1SCA022380R9660	100	1
Yel.-red	65	6	OT 125A	OHY 65J6	1SCA022380R9820		1

Handles, mounting directly to the switch, no shaft needed.

Black	72	-	OT 125A_ 160E_	YAST	1SCA02230R5350	100	1
-------	----	---	----------------	------	----------------	-----	---

Also other handles for shaft diameter 6 mm can be used with 160_ OH_ handles padlockable in all positions available on request.

Extended shafts

Shaft diameter 6 mm. Suitable for handles OH__J6_.

Shaft length [mm]	H	Type	Order number	Pack-age [pcs]
130	105 ... 135	OXP6x130	1SCA022057R0570	1
430	405 ... 435	OXP6x430	1SCA022056R6030	1

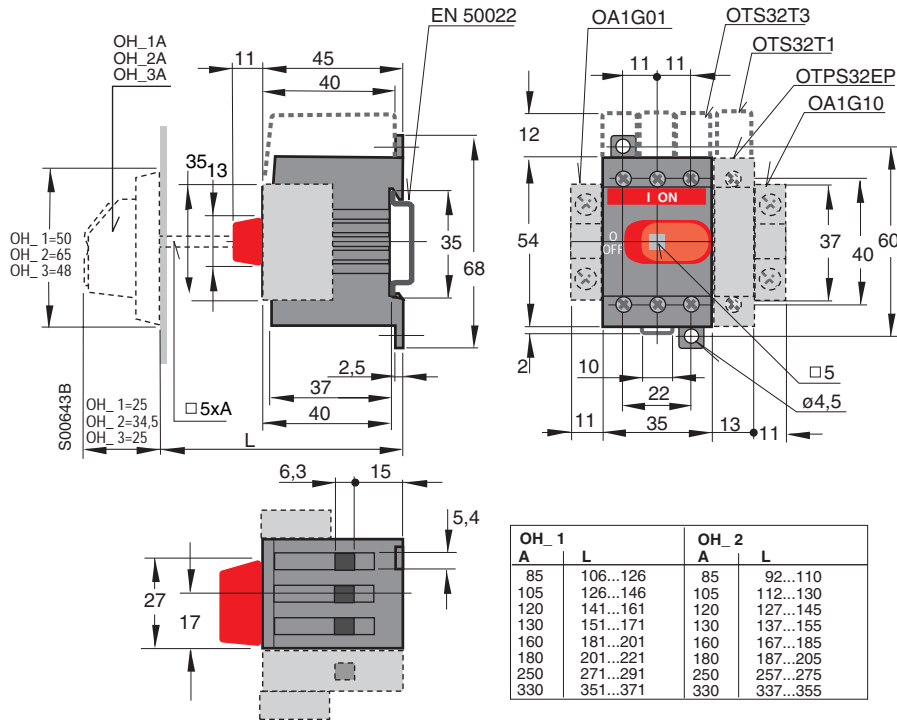
¹⁾ 380...415 V, AC 21-22B: 200 A for OT 160 when provided with bushbar connections OEZXX 6 or 13.

SwitchLine

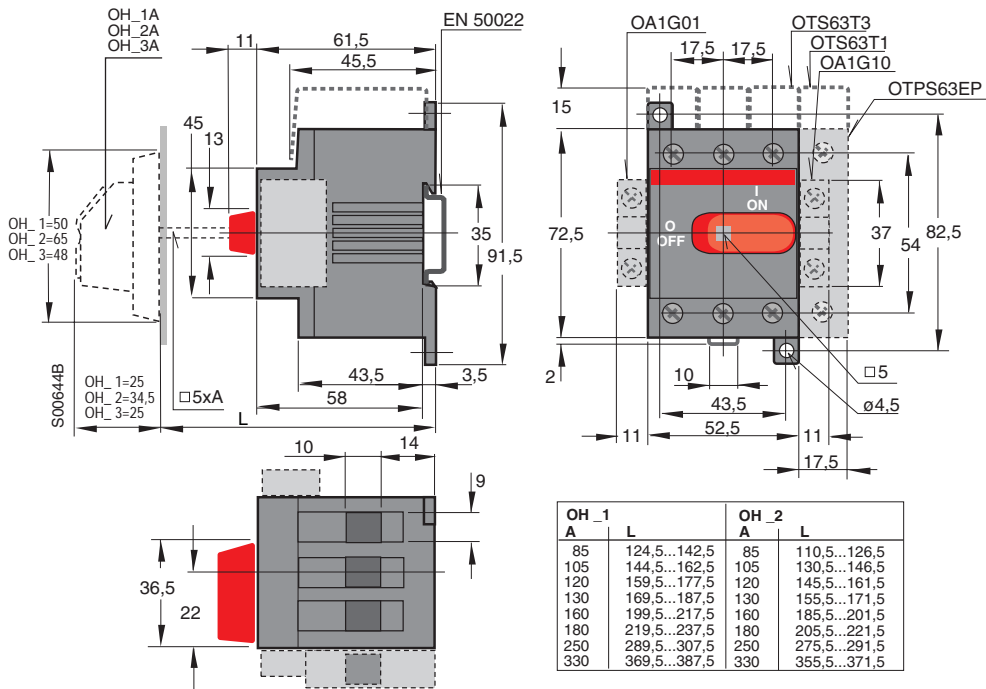
Dimension Drawings

OT 16...125

OT 16...32E3, -E4



OT 45...63E3, -E4

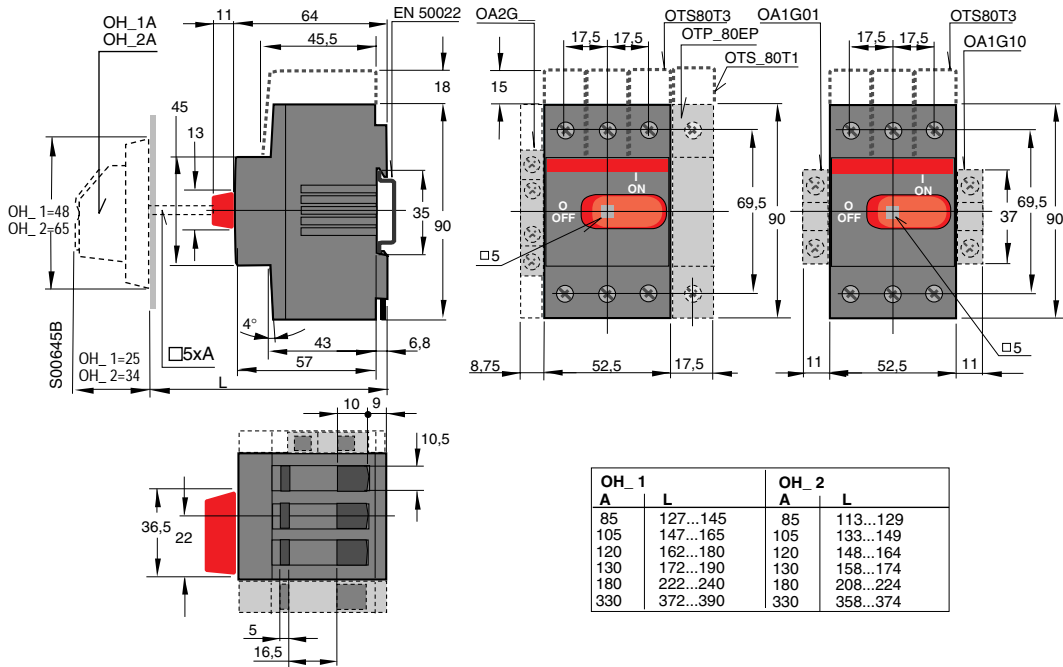


SwitchLine

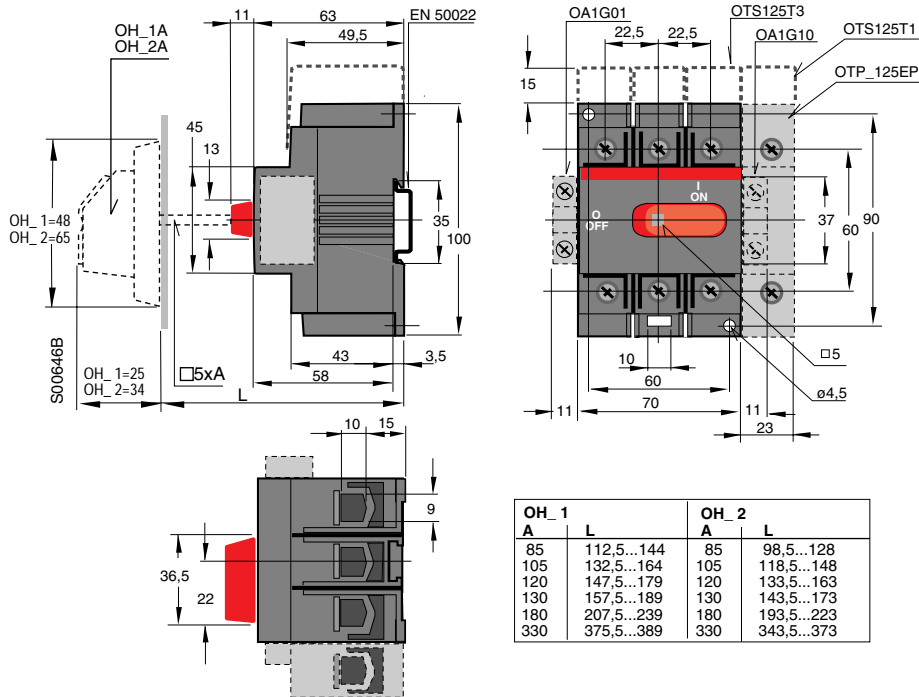
Dimension Drawings

OT 16...125

OT 80E3, -E4



OT 100...125E3, -E4

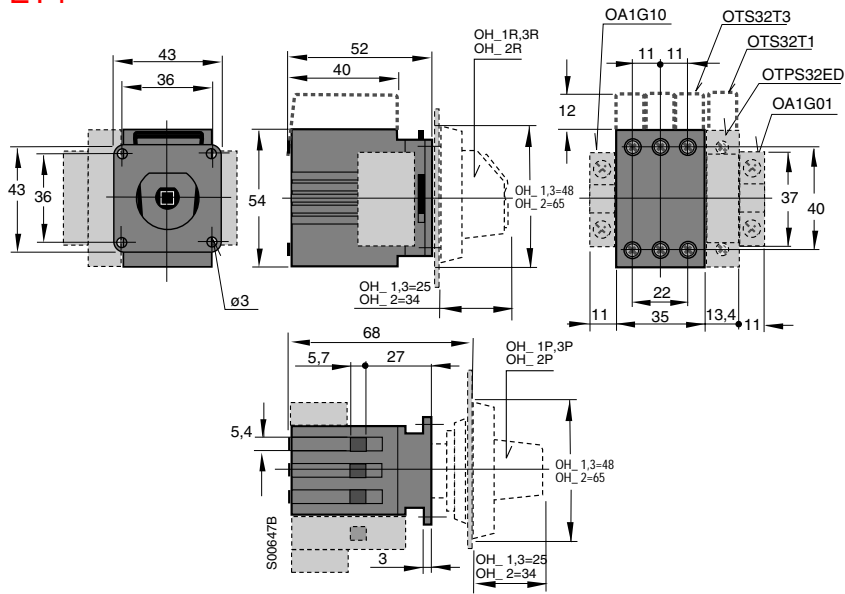


SwitchLine

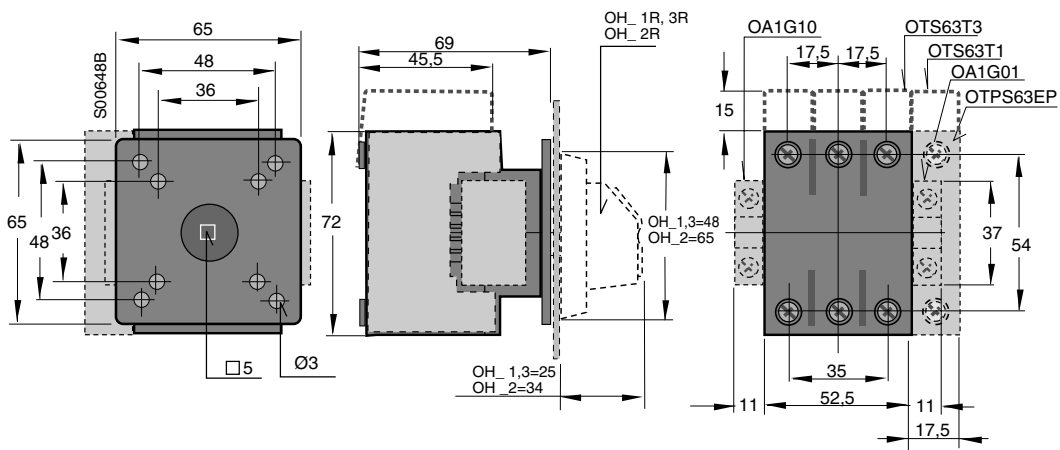
Dimension Drawings

OT 16...125

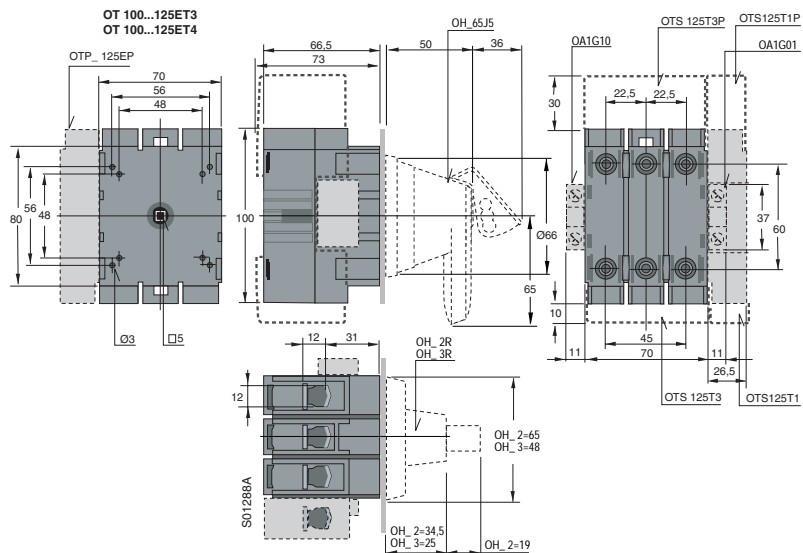
OT 16...32ET3, -ET4



OT 45...63ET3, -ET4



OT 100...125ET3, -ET4

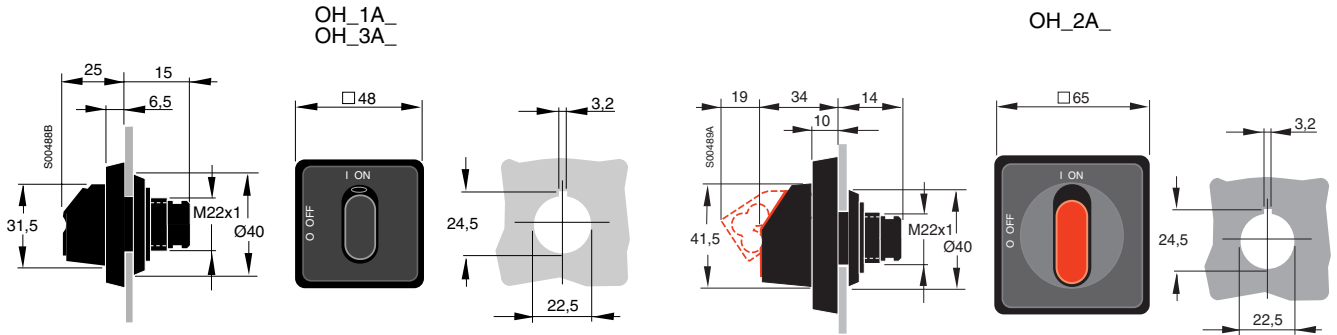


SwitchLine

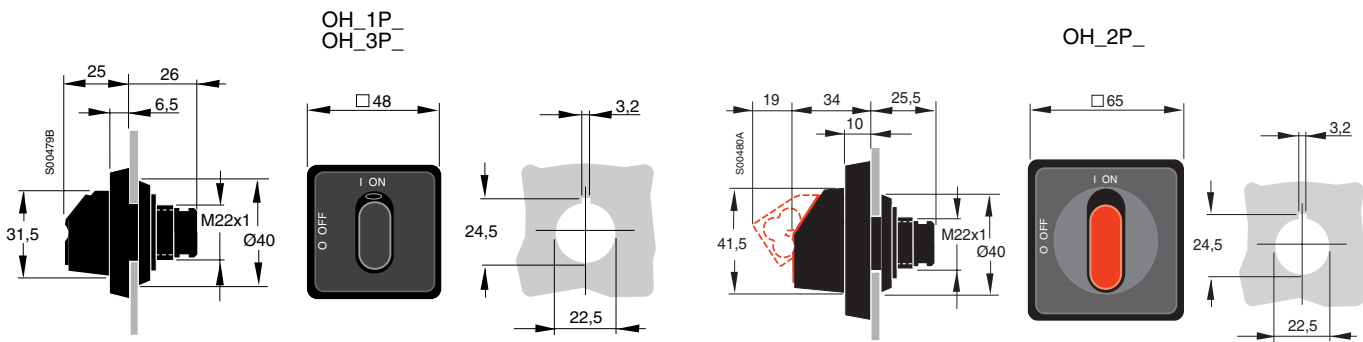
Dimension Drawings

Handles, Accessories

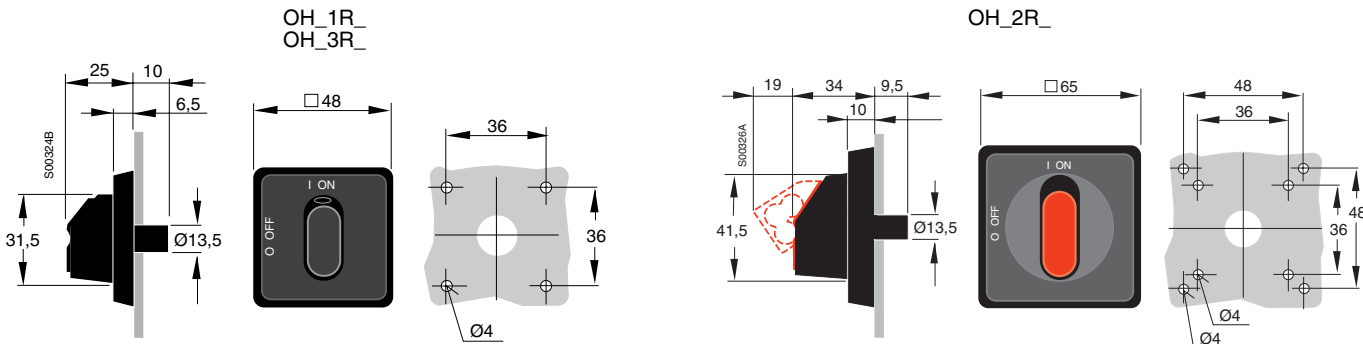
Handles for base and DIN-rail mounting switches (shaft mounting)



Handles for door mounting switches (snap-on mounting)



Handles for door mounting switches (screw-mounting)

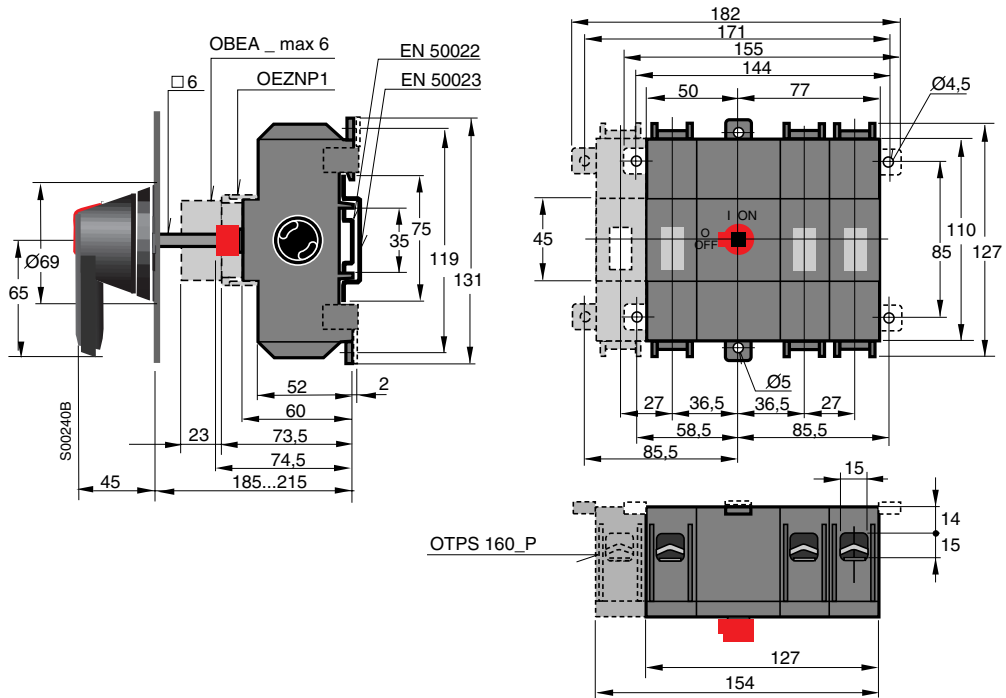


SwitchLine

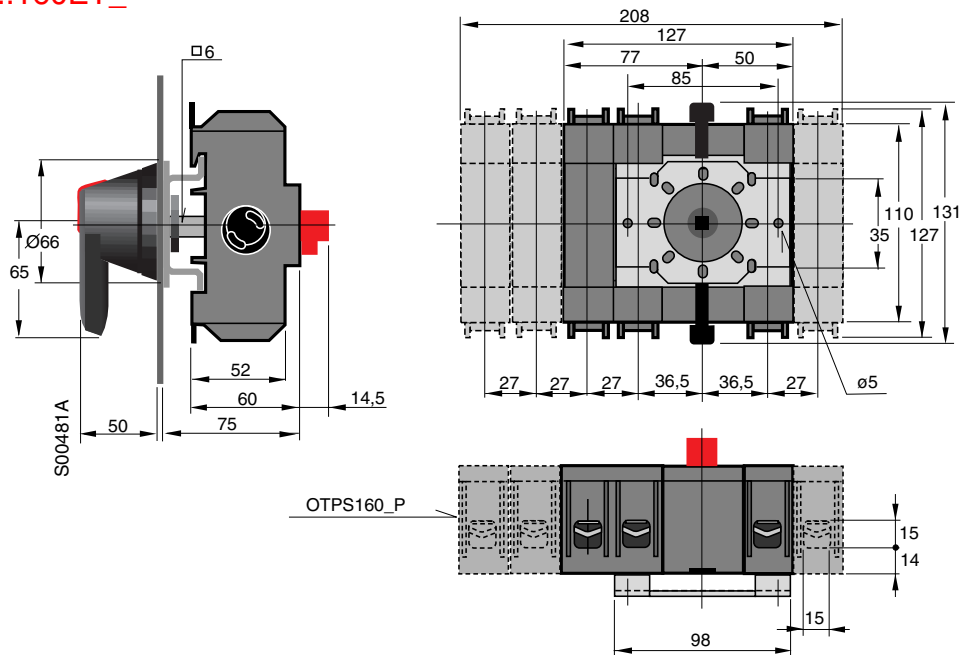
Dimension Drawings

OT 125A...160

OT 125A...160E3, -4



OT 125AT...160ET_

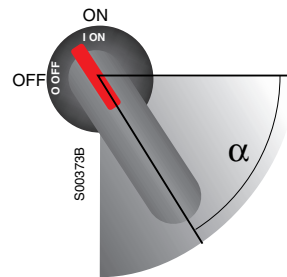
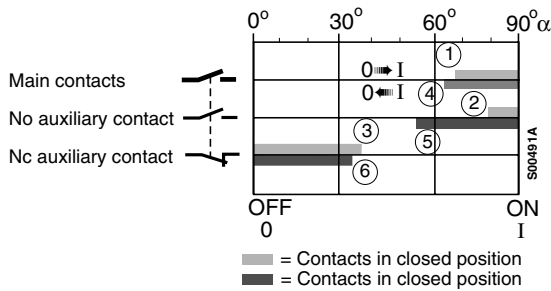


SwitchLine

Contact Functions

ON and OFF-Functions of Auxiliary and Main Contacts

ON and OFF-Functions of Auxiliary and Main Contacts



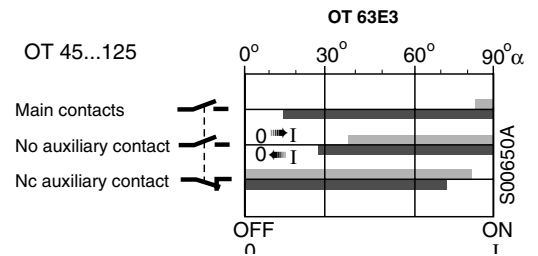
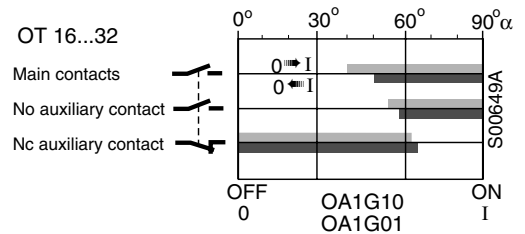
CLOSING

1. Main contacts close
2. No auxiliary contacts close
3. Nc auxiliary contacts open

OPENING

4. Main contacts open
5. No auxiliary contacts open
6. Nc auxiliary contacts close

Load Break Switch	Auxiliary contact	Contact configuration
OT 16...125E_	OA1G10	1no
	OA1G01	1nc



Load Break Switch	Auxiliary contact	Contact configuration
OT 125A_	OBEA 10+	1no
OT 160E_	OEZNP 1	1nc
	OBEA 01+	1nc
	OEZNP 1	1nc

