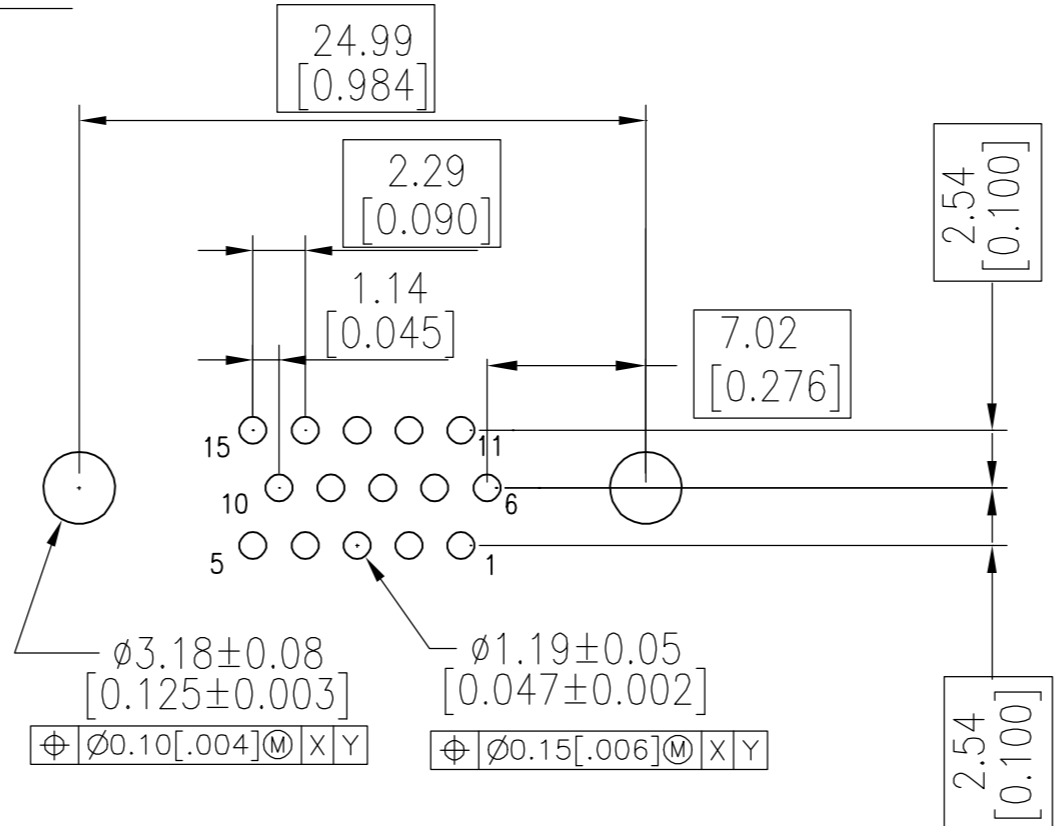
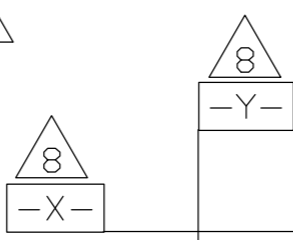
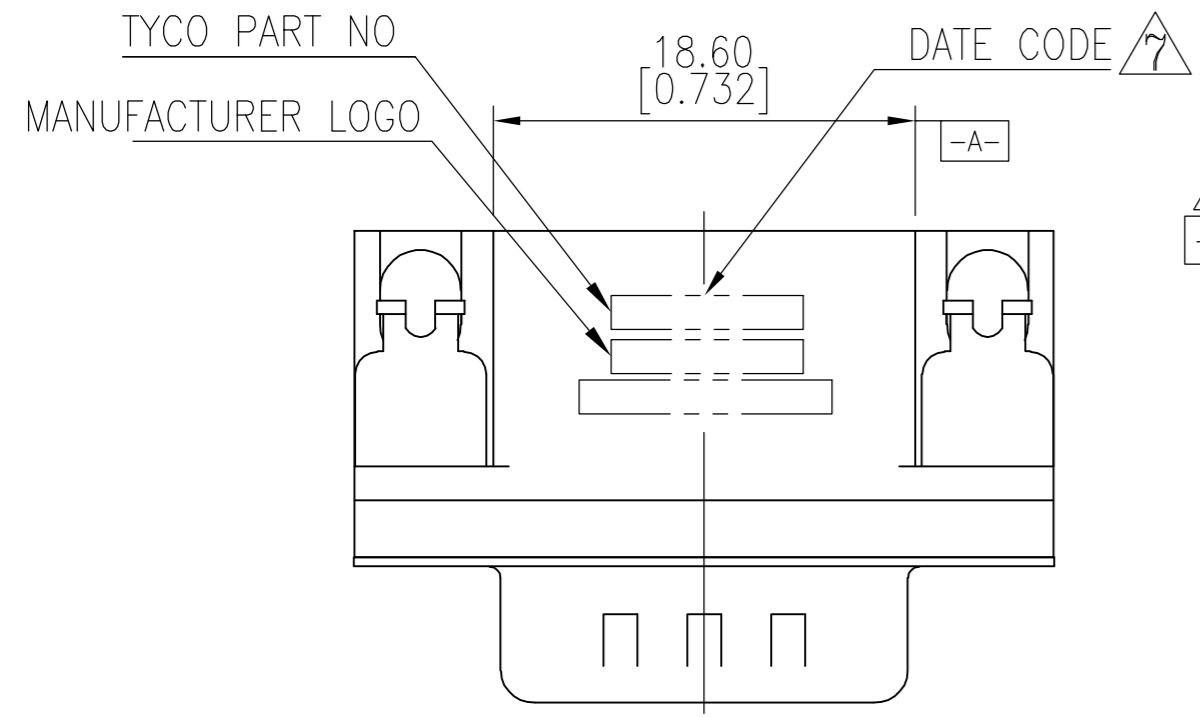
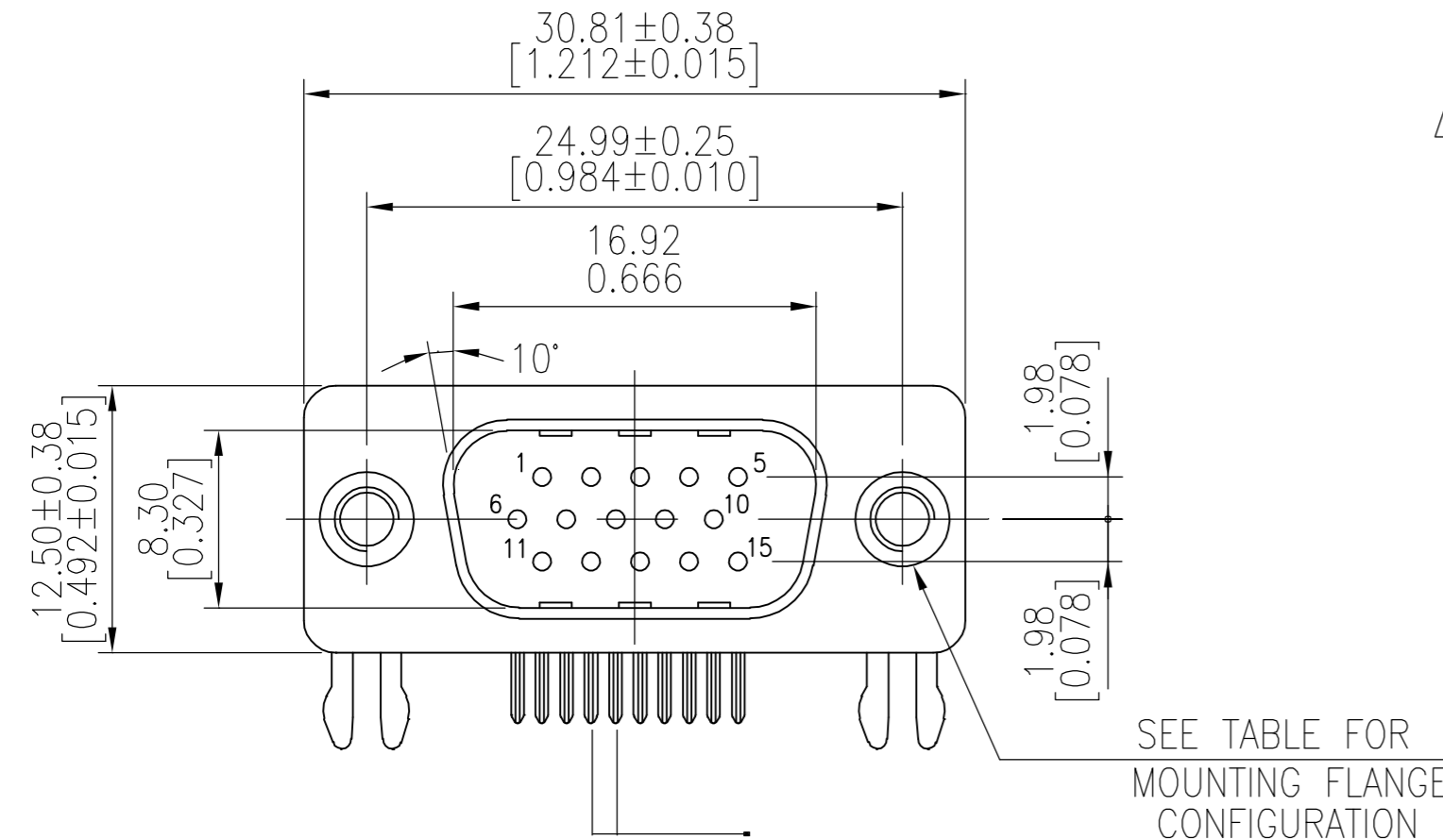


THIS DRAWING IS UNPUBLISHED. RELEASED FOR PUBLICATION
 © COPYRIGHT BY TYCO ELECTRONICS CORPORATION. ALL RIGHTS RESERVED.

LOC		DIST		REVISIONS			
GP	00	P	LTR	DESCRIPTION	DATE	DWN	APVD
		B		REVISED PER ECO-06-023509	04DEC06	JDP	CWR



RECOMMENDED PCB LAYOUT

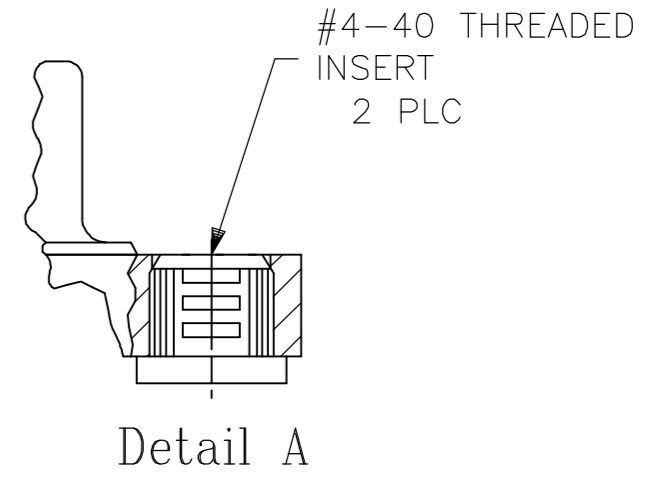
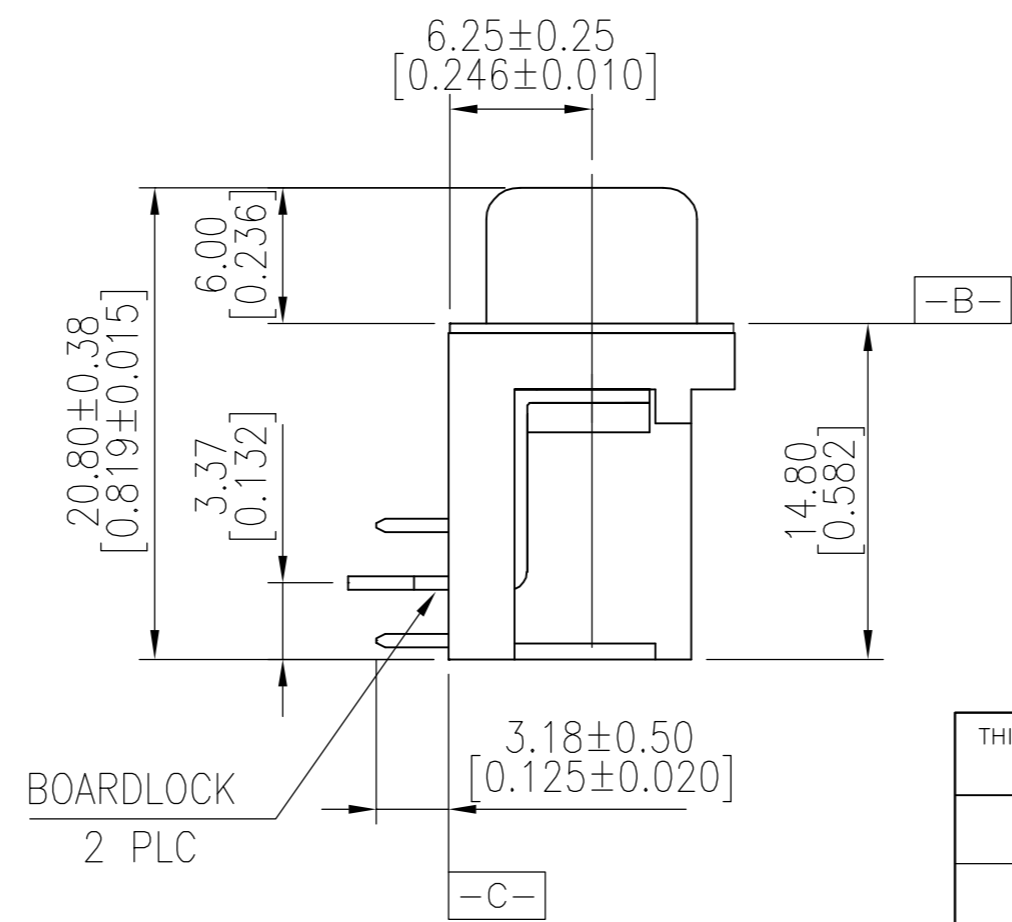
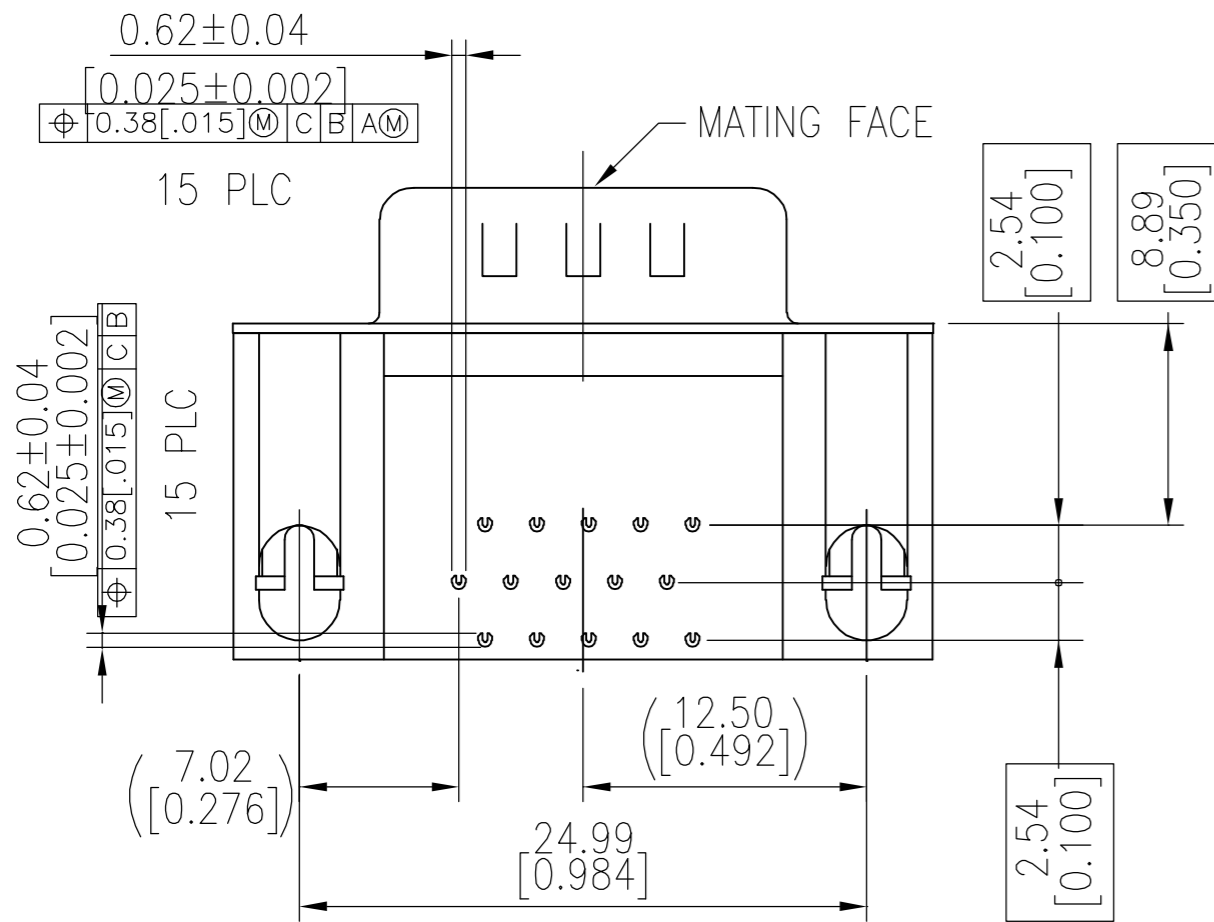


1. HOUSING MATERIAL: PBT, GLASS FILLED, BLACK, UL 94V-0 RATED.
2. CONTACT MATERIAL: PHOSPHOR BRONZE.
3. CONTACT FINISH: GOLD PLATE IN MATING AREA (SEE TABLE), 120μ" MIN TIN PLATE ON SOLDER TAIL, BOTH OVER 50μ" MIN NICKEL UNDERPLATE.
4. SHELL: STEEL, NICKEL PLATE.
5. BOARDLOCK: BRASS, 100μ" MIN TIN PLATE.
6. THREADED INSERTS: BRASS, NICKEL PLATE.

△ FOUR DIGIT DATE CODE IN THIS FORMAT.

Year 01 45 Manufacturing Week

△ DATUMS -X- & -Y- TO BE ESTABLISHED BY CUSTOMER.



OBSOLETE	Tray	Detail A	GOLD FLASH	5749767-3
	Tray	Detail A	15μ" MIN	5749767-2
	Tray	Detail A	30μ" MIN	5749767-1
	Packaging	Mounting Flange Configuration	CONTACT MATING AREA FINISH	PART NUMBER

THIS DRAWING IS A CONTROLLED DOCUMENT.		DWN B. MCMASTER 22SEP05	tyco Tyco Electronics Corporation Harrisburg, PA 17105-3608	
DIMENSIONS: mm [INCHES]		CHK S. BOLASH 22SEP05	NAME	
TOLERANCES UNLESS OTHERWISE SPECIFIED:		APVD M. WALMSLEY 22SEP05	AMPLIMITE HD-22 15 POS PLUG, RIGHT ANGLE	
0 PLC ± -	1 PLC ± 0.30	PRODUCT SPEC	SIZE A2	CAGE CODE 00779
2 PLC ± 0.20	3 PLC ± 0.10	APPLICATION SPEC	DRAWING NO C=5749767	RESTRICTED TO
4 PLC ± -	ANGLES ± 2°	WEIGHT -	SCALE 3:1	SHEET 1 of 1
MATERIAL -	FINISH -	CUSTOMER DRAWING	REV B	