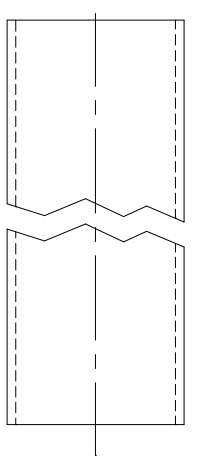
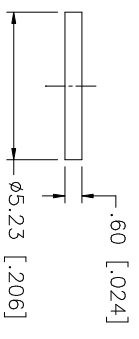
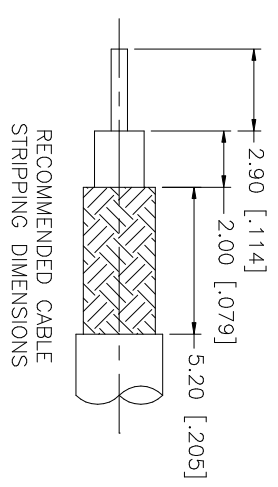
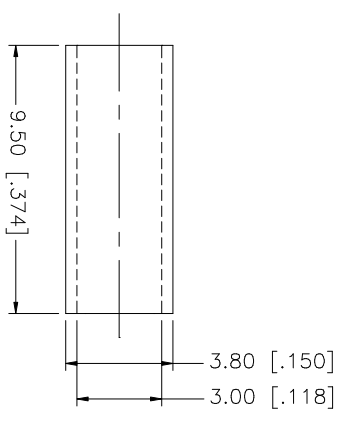
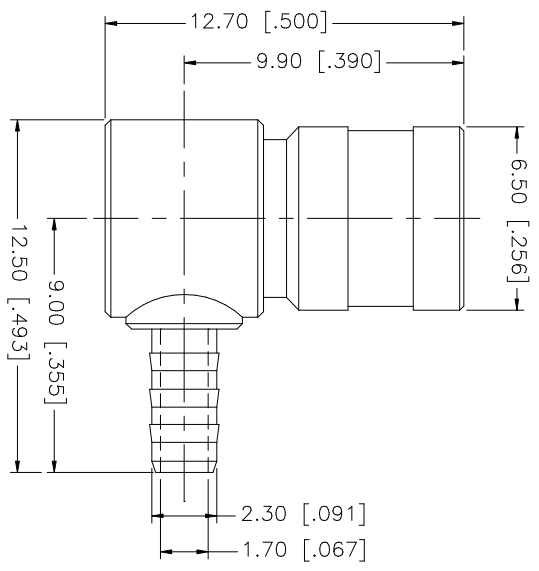


REV.	DATE	DESCRIPTION
NC	02/24/03	INITIAL RELEASE



- NOTE:
1. CRIMPED FERRULE
HEX CRIMP SIZE .128"
 2. CONTACT PIN TO SOLDER

QTY	DESCRIPTION	MATERIAL	FINISH	DO NOT SCALE DRAWING	APPROVALS	DATE	PART DESCRIPTION
1	HEAT SHRINK TUBE						Amphenol Connex SMB R/A CRIMP PLUG (FOR RG-174/U, 188A/U, 316/U CABLE) 142194
1	COVER	BRASS	GOLD				
1	FERRULE	COPPER	GOLD				
1	CONTACT PIN	BER. COPPER	GOLD				
1	INSULATOR	TEFLON	NATURAL				
1	BODY	BRASS	GOLD				
1	HOUSING	DIE CAST	GOLD				
	DESCRIPTION	MATERIAL	FINISH	QTY			

UNLESS OTHERWISE SPECIFIED DIMENSIONS ARE IN MILLIMETERS. DIMENSIONS IN [] ARE IN INCHES AND FOR CUSTOMER REFERENCE ONLY. TOLERANCES FOR MILLIMETERS ARE:
 0.5 - 8mm ± 0.20mm
 8 - 30mm ± 0.40mm
 30 - 120mm ± 0.50mm
 UNLESS OTHERWISE SPECIFIED TOLERANCES FOR INCHES ARE:
 .020 - .315 = ± 0.007"
 .315 - 1.180 = ± 0.015"
 1.180 - 4.724 = ± 0.020"

APPROVALS	DATE
G.R.S.	02/24/03
CHECKED	
ISSUED	
SHEET	1 OF 1

CAD FILE C:/142/142194.DWG DWG. NO. 142194.DWG REV. NC SIZE A SCALE NA