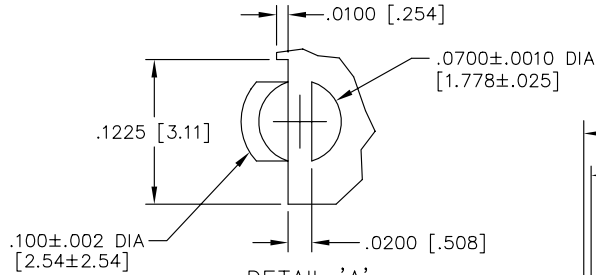


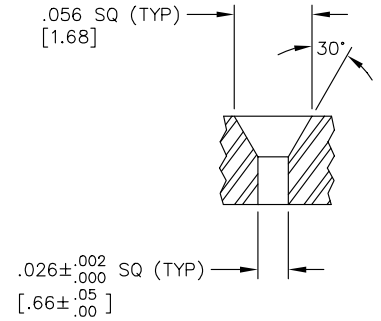
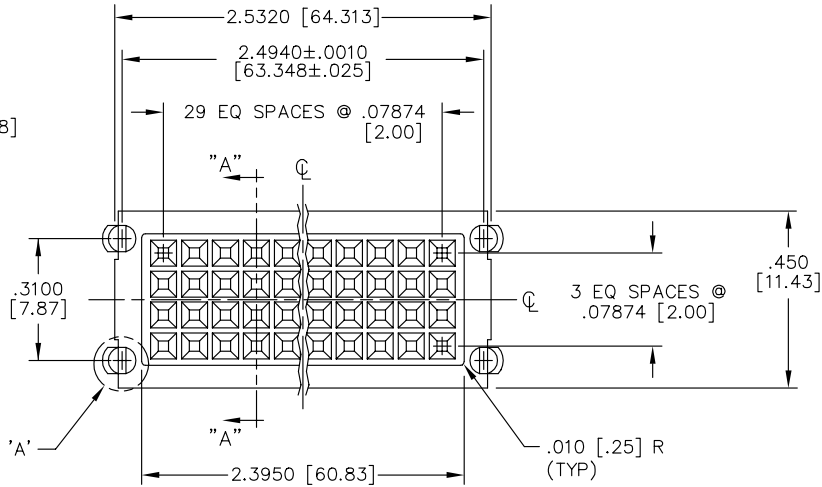
DIMENSIONS ARE IN INCHES		UNLESS OTHERWISE NOTED	TOLERANCES ARE:
ONE PLACE DECIMALS ±.1[2.5]	THREE PLACE DECIMALS ±.005[.127]	ANGLES	± 2°
TWO PLACE DECIMALS ±.01[.25]	FOUR PLACE DECIMALS ±.0020[.051]		

TITLE: ELEVATED SQT ASSM SHROUD

DWG NO: ATS-30-Q  
SHEET 1 OF 1

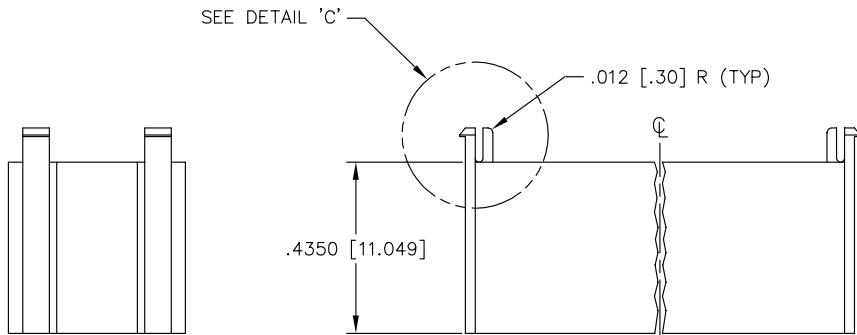


DETAIL 'A'  
SCALE: 3x  
(4 PLCS)

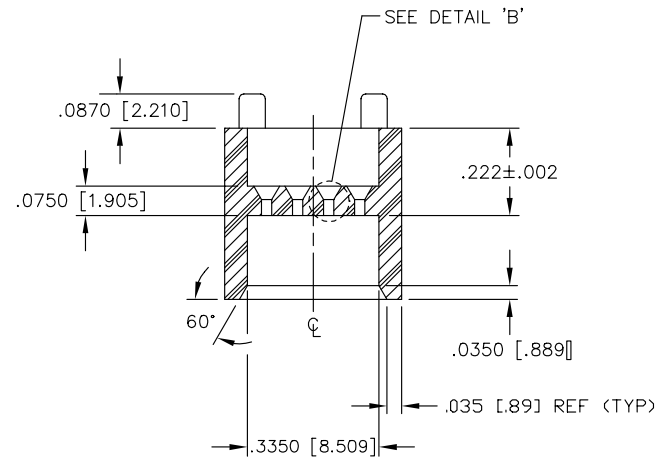


DETAIL 'B'  
SCALE: 3x

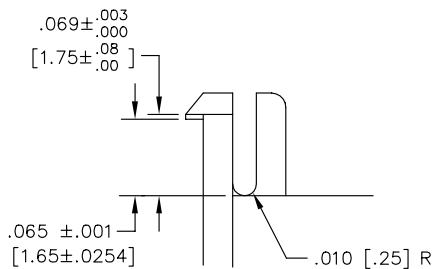
DO NOT SCALE FROM THIS PRINT



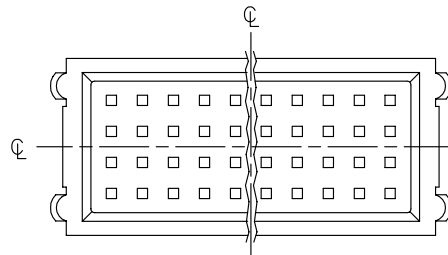
SEE DETAIL 'C'



SECT. "A-A"



DETAIL 'C'  
SCALE: 3x  
(4 PLCS)



**PROPRIETARY NOTE**  
THIS DOCUMENT CONTAINS INFORMATION CONFIDENTIAL AND PROPRIETARY TO SAMTEC INC. AND SHALL NOT BE REPRODUCED OR TRANSMITTED TO OTHER DOCUMENTS OR DISCLOSED TO OTHERS OR USED FOR ANY PURPOSE OTHER THAN THAT FOR WHICH IT WAS OBTAINED WITHOUT THE EXPRESSED WRITTEN CONSENT OF SAMTEC INC.

MATERIAL:  
LCP VECTRA E-1301  
COLOR: BLACK  
MAX BOW ALLOWED: .005 [.13]  
MAX FLASH ALLOWED: .005 [.13]  
25% MAX REGRIND

PLOT SCALE: 1=.25

**samtec**

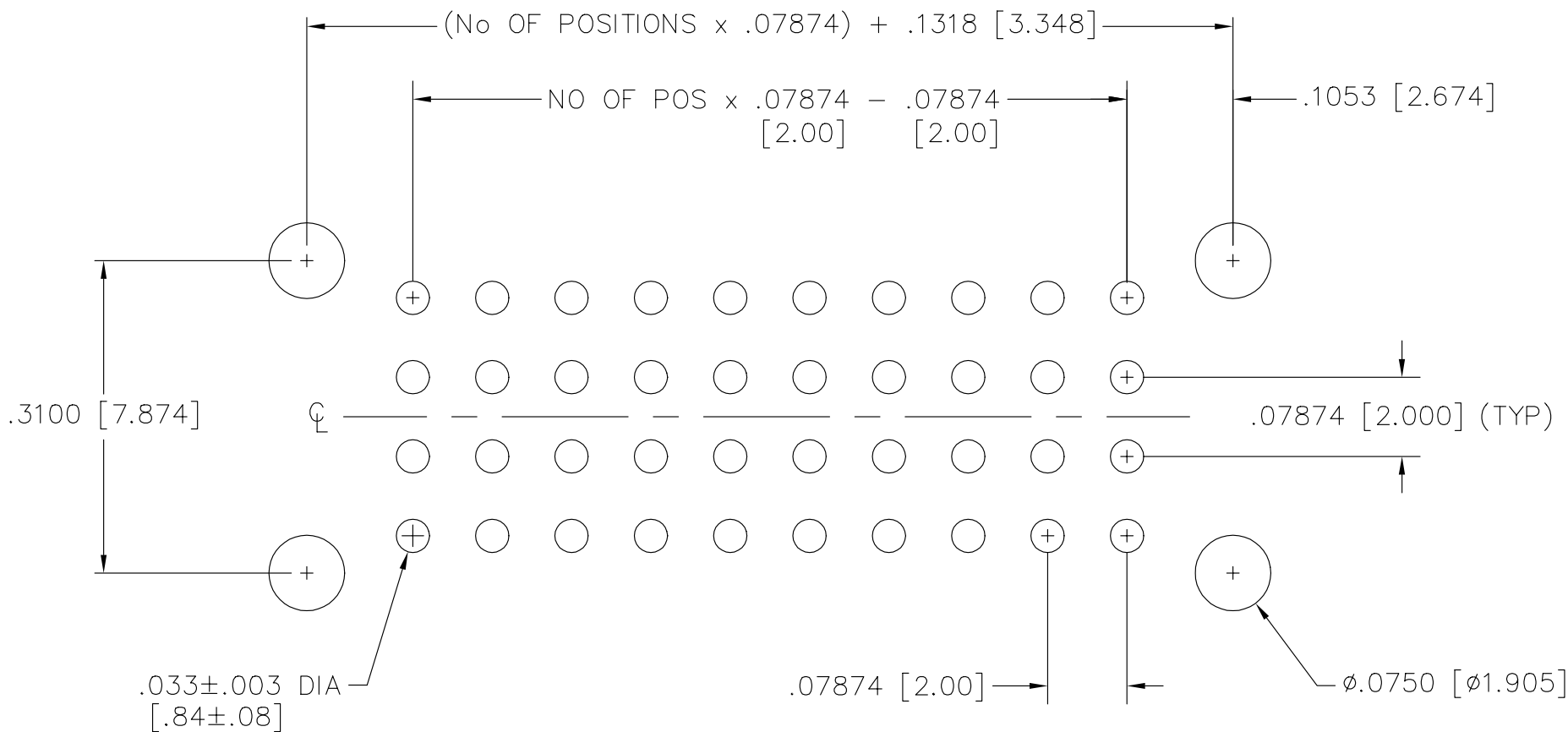
520 PARK EAST BLVD. NEW ALBANY, INDIANA 47150  
PHONE (812) 944-6733 P.O. BOX 1147  
CODE 55322

MADE BY: BRATCHER 9-6-95

ATS-30-Q  
SHEET 1 OF 1

REV A

# RECOMMENDED P.C. BOARD LAYOUT FOR ATS-Q



PLOT SCALE: 1 = .1

MISC\MKTG\FOOTPRINT  
ATS-Q

810 PROGRESS BLVD. NEW ALBANY, INDIANA 47150  
PHONE (812) 944-6733 P.O. BOX 1147