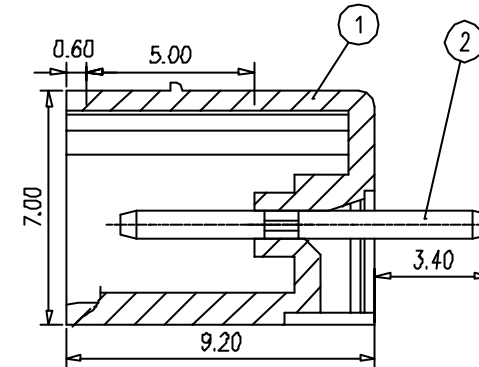
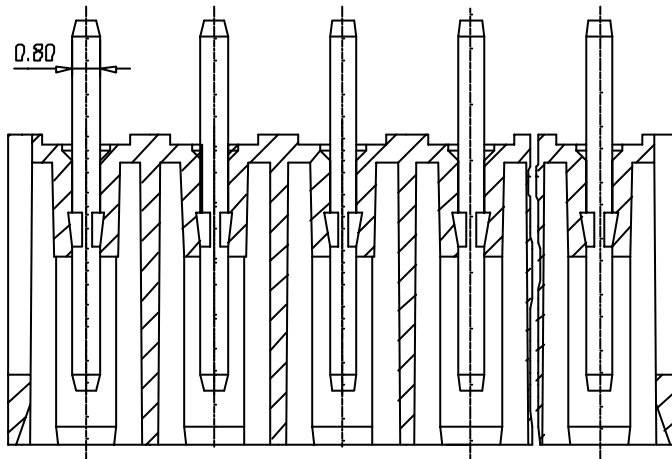


P.C.B. LAYOUT

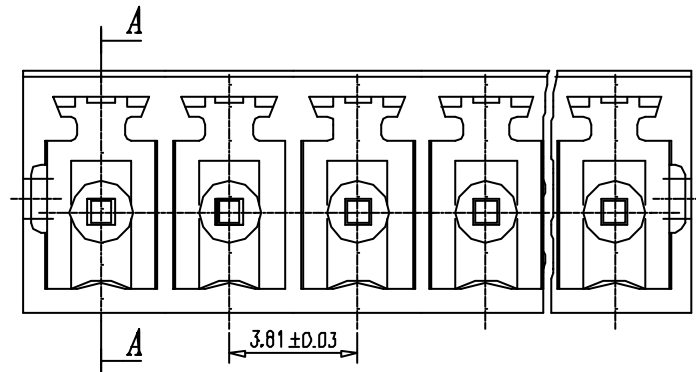
NOTES:

1. Rating: ~~48~~ 300 V BA
- PITCH: 3.81 mm
2. Insulation Withstands Voltage: AC 1000 V/MIN
3. Insulation Resistance: 1000M Ω or more at DC500V
4. Using Temperature Range: -40 $^{\circ}$ C~+130 $^{\circ}$ C
5. Suitable Electric Wire: AWG 22-16
6. Undimensioned Tolerances:

-	Δ	\square	0.05/10
-	\square	\square	0.3/10
PITCH ERROR			0.05/10
DIMENSIONS TOLERANCES			± 0.3



SECTION A-A



2	SOLDER PIN	0070B00300	P	COPPER	Tin Plated
1	HOUSING	0070M00000	1	PBT	GREEN
ITEM	NAME OF PART	NO. OF PART	Q'TY	MATERIAL	NOTES
DWG.		DATE	99,01,28	UNITS	MM SHEET/OF 1/1
		DATE		SCALE	6:1 (:)
				NAME	21.155MV
				DWG NO.	

Δ	工程變更	YFY	02.11.19	CHK.	DATE
Δ	工程變更	XJIANG	01.01.04	APP.	DATE
Δ	修改 P 間壁厚	周 喻	99,9,1		
REV.	CONTENT	CHK.	DATE		

