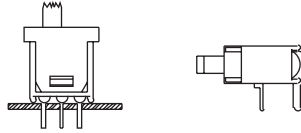


## SERIES 48B Sub-Miniature Slide Switches


### FEATURES

- Save Space and Weight
- SPDT Circuitry
- Choice of Actuators and Terminations
- UL Recognized



### MODEL AND TERMINATION OPTIONS In inches (and millimeters)

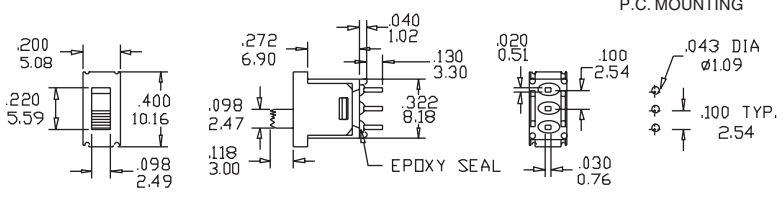
**M2 SPDT**



Schematic

Model No.	Switching Position		
FSP1	ON	NONE	ON
FSP3	ON	OFF	ON
Term. Comm.	2-1	OPEN	2-3

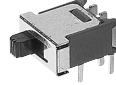
( ) = Momentary  
02Comm.  
1/ 3•

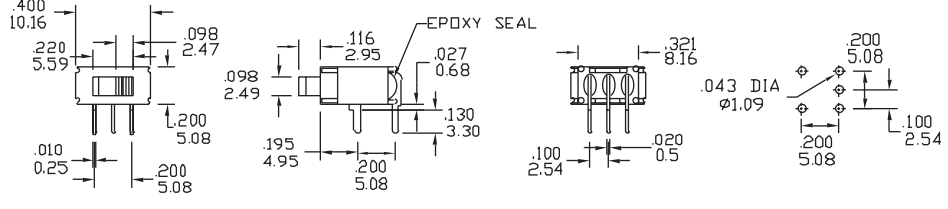


P.C. MOUNTING

---

**M6 SPDT**





P.C. MOUNTING

### SPECIFICATIONS

#### RATINGS

**Contact Rating:** Q option- 3A with resistive load @ 125 VAC or 28 VDC; 1.5A with resistive load @ 250 VAC. R option- 0.4VA max @ 20 Vmax (AC or DC)

**Electrical Life:** 30,000 make-and-break cycles at full load

**Contact Resistance:** 10 milliohms max. initial @ 2-4 VDC, 100 mA

**Insulation Resistance:** 1,000 megaohms minimum

**Dielectric Resistance:** 1,500 V RMS @ sea level

**Operating Temperature:** -30°C to 85°C

#### MATERIALS

**Case:** Diallyl phthalate (DAP) (UL94V-0)

**Housing:** Stainless steel

**Switch Handle:** Nylon

**Contacts:** Gold plated

**Center Contacts & Terminals:** Copper alloy, gold plated

**Terminal Seal:** Epoxy

### ORDERING INFORMATION

SERIES	MODEL NO.	TERMINATION	CONTACT	SEAL
<b>48B</b>	<b>FSP1</b>	<b>M6</b>	<b>R</b>	<b>E</b>
48B = Sub-Miniature Slide Switches	Options: FSP1, FSP3 (see models for switching positions)	Options: M2, M6 (see termination options)	R = Copper alloy, gold plate over nickel plate.  Q = End terminal contact surface: coin silver Center terminal contact surface: copper alloy, silver plated	E = Epoxy seal
<b>Example Part Number: 48BFSP1M6RE</b>				

Available from your local Grayhill Component Distributor. For prices and discounts, contact a local Sales Office, an authorized local Distributor or Grayhill.