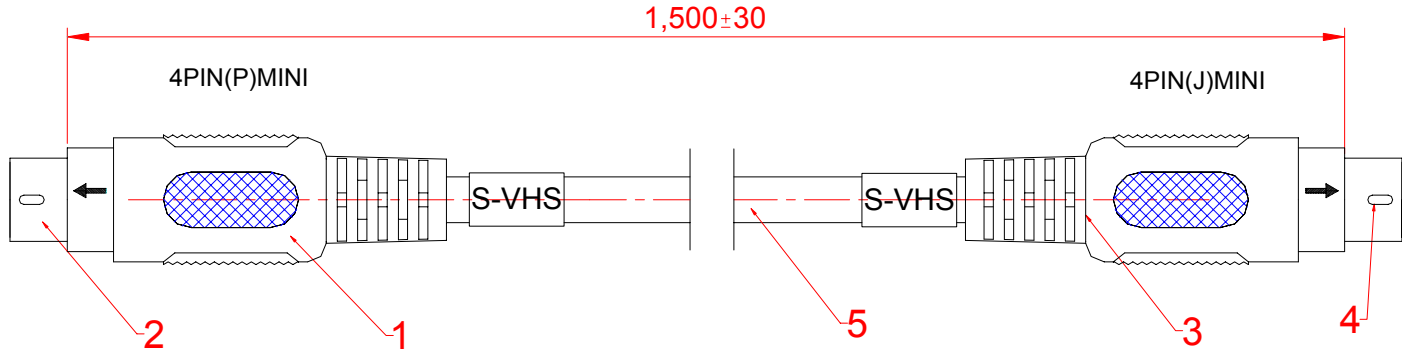
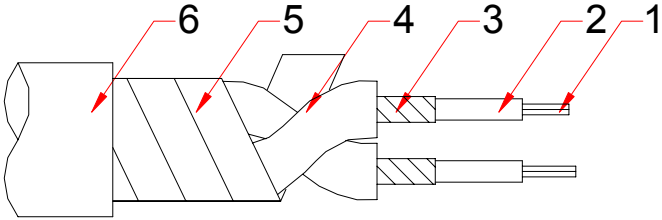


1 2 3 4 5 6

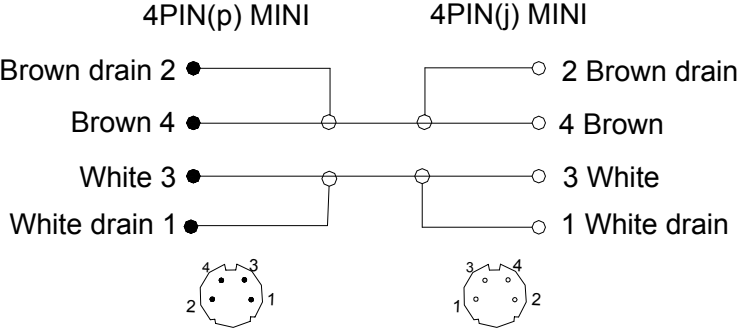
ECN Symbol	ECN No.	Descriptions	Date



Remark
 2*9/0.12 Cu
 +2*φ1.0 PE
 +spiral:2*28/0.1 Cu
 +2*φ2.0 PVC
 +1*12 paper foil
 +1*φ4.9 PVC



Wiring diagram



5		2 cores isolated IVA		PVC	O.D.4.9
4		4PIN(J)MINI	1PC		
3		4PIN(J) MINI Mold	1PC		
2		4PIN(P)MINI	1PC		
1		4PIN(P) MINI Mold	1PC		
Item	Ref/No.	Description	Q'ty	Material	Remark

Prepared	Neil T	Material			
Checked		Finish			
Approved		Q'ty	VER.	Scale	Model AVVCL72
Unit mm			A-1		Parts
Ref/No.		Page	JESMAY		

1 2 3 4 5 6