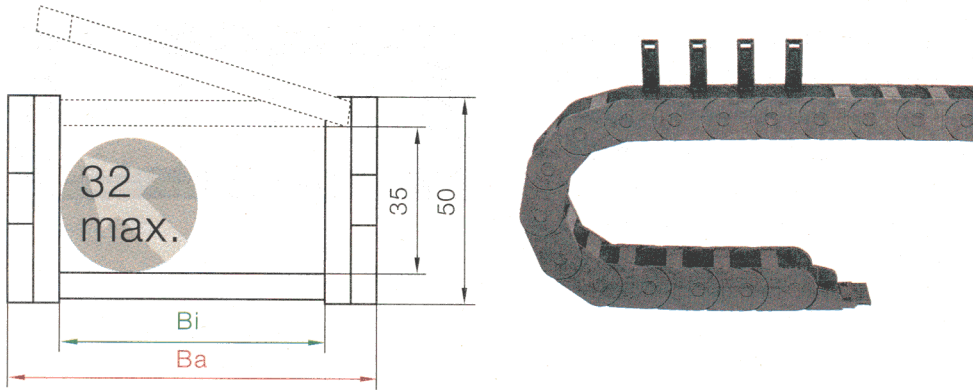


Product Range

Series 27 Energy Chain® (snap-open along outer radius)

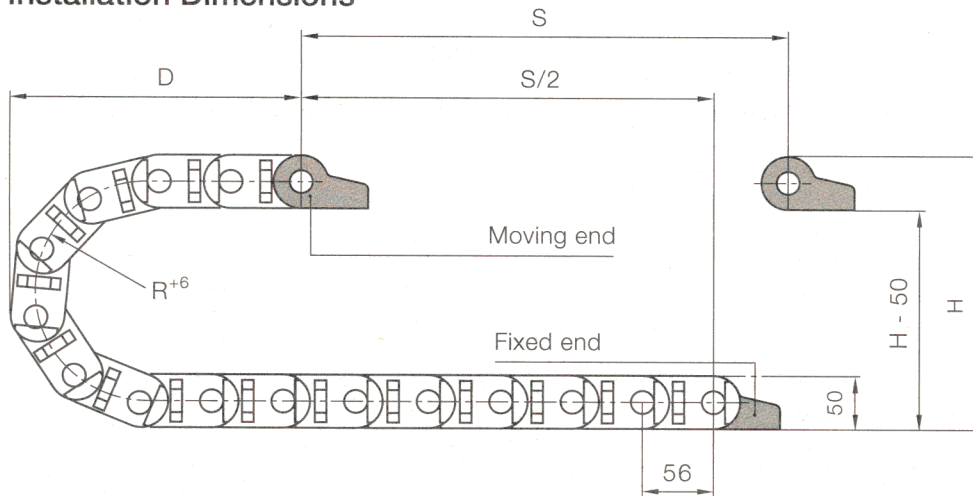


! Series 27 is standard for long travels (gliding applications)

Part No.		Bi	Ba	Bending Radii
27.05.	Radius	50	66	63 75 100 125 150
27.07.	Radius	75	91	175 200 250
27.10.	Radius	100	116	
27.12.	Radius	125	141	
27.15.	Radius	150	166	These bending radii can be
27.17.	Radius	175	194	combined with every chain
27.20.	Radius	200	219	width!

Supplement part no. with required radius
for example 27.10.100.0

Installation Dimensions



Pitch: = 56 mm per link
 Links per m: = 18
 Chain length: = $\frac{S}{56} + K$

R	63	75	100	125	150	175	200	250
H)*+5	180	200	250	300	350	400	450	550
D	140	150	175	200	225	250	275	325
K	335	375	475	550	650	750	825	925



*The required clearance height is HF = H + 35 mm (with 2 kg/m fill weight)
 Please consult igus® if space is particularly restricted.

