

611/621-Series

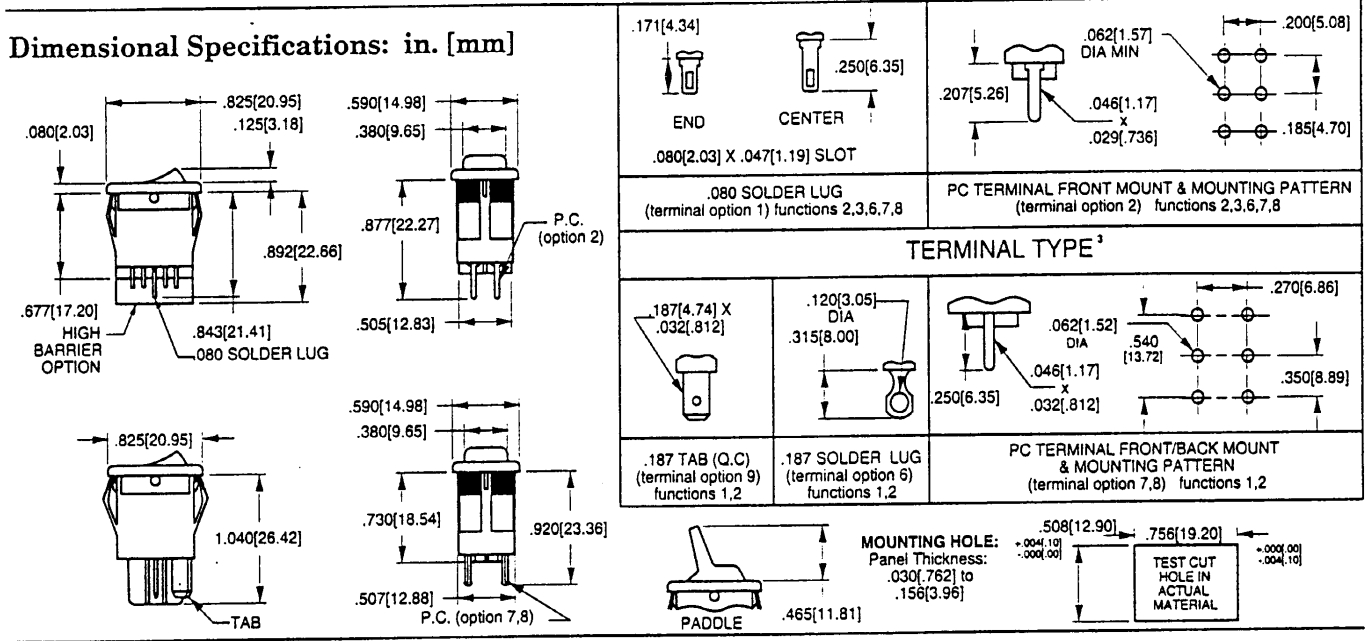


The subminiature 611/621-Series switches are double insulated and available in single or double pole. The snap-in or PC back panel mounting construction is available with a paddle, rocker or Visi-Rocker type actuator. These switches can be specified in a variety of terminations through 11 amps. International approvals are also available.

Specifications

- Certifications*: UL, CSA, VDE, TUV, SEMKO, DEMKO, SEV, NEMKO, SETI
- Dielectric Strength: 1,000V (minimum)
- Insulation Resistance: 100 Megohms (minimum)
- Base Material: Nylon
- Actuator Material: Nylon

* Due to ongoing technological advances, consult factory for certification specifics.



SERIES	BASE/ACTUATOR COLOR¹	RATING²	TERMINATION³	COLOR OF MOLDED-IN LEGEND AND/OR VISI-ROCKER END¹
6	BASE ACTUATOR 1: BLACK BLACK 2: BLACK WHITE 4: WHITE BLACK 5: WHITE WHITE	1 .4VA MAX @20V MAX (AC/DC) 2 2A 250VAC 3 5A 125VAC RESISTIVE 4 11A 125VAC H (S.P. ONLY) 5 4A 250VAC 6 8A 125VAC 7 4A 250VAC 8 8A 125VAC 9 4A 250VAC 10 8A 125VAC 11 INDUCTIVE 12 6(4)A 250VAC T85	1 .080 SOLDER LUG 2 PC TERM 4 WIRE LEAD 6 .187 SOLDER LUG 7 PC BACK MOUNT 8 PC FRONT MOUNT 9 .187TAB (QC) (High Barriers only)	B BLACK N NOT APPLICABLE V VISI-RED W WHITE
ACTUATOR STYLE	POLES	FUNCTION	EPOXY SEALED TERMINALS	ROCKER FACE LEGEND
11 PADDLE 21 CURVED ROCKER	1 SINGLE POLE 2 DOUBLE POLE 5 DOUBLE POLE W/ HIGH BARRIERS 6 SINGLE POLE W/ HIGH BARRIERS	1 ON-NONE-OFF 2 ON-NONE-ON 3 ON-NONE-(ON) 6 ON-OFF-ON 7 ON-OFF-(ON) 8 (ON)-OFF-(ON)	E EPOXY 0 NONE REQUIRED	MOULDED-IN* INK TRANSFER STAMP* 0 NO IMPRINT A ON-OFF (VERTICAL) B ON-OFF (HORIZONTAL) D I-O (HORIZONTAL) E I-O (VERTICAL) F O (ON ROCKER RADIUS)

NOTES:
 Shading indicates standard configurations.
 1 Matte finish is standard. Custom colors are available. Consult factory.
 2 Rating 1 contact surfaces: gold plate over nickel plate. Rating Code 9 available with function 1 or 2 only.
 3 Terminations 1 and 2 are not available with function 1. Terminations 6, 7, 8 and 9 are available with function 1 or 2 only.
 4 Molded-in Legend available only with Visi-Rocker Option.
 5 White is standard with dark actuators; black is standard with light actuators.