

# TBM

# JOYSTICK CONTROLLER ( MANUAL TYPE )

# 東京

VOLUME CONTROL

DATE : AUG. 31. '05.

1 NAME OF CUSTOMER : Deltron UK LTD

2 YOUR PART No. : \_\_\_\_\_ 5 SPEC. NO. : TC - 1 3 1 4 8

3 TBM MODEL : TX - 26PLR 6 DIMENSIONS : STD - 2607AR

4 APPROVED : NOV. 25. '05.

## 7 ELECTRICAL CHARACTERISTICS

X 2

7. 1 Total resistance : 10 Kohms  $\pm$  20 %

7. 2 Resistance taper : B Taper, 40 ~ 60 % at the Lever vertical position

7. 3 Power rating : 0.1 W

7. 4 Residual resistance : \_\_\_\_\_

between terminal 1 and 2 : less than 200 ohms

between terminal 2 and 3 : less than 200 ohms

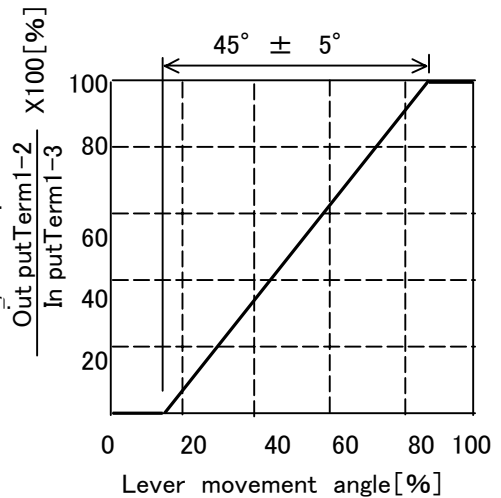
7. 5 Sliding noise : less than 200 mV  
( JIS method )

7. 6 Insulation resistance : more than 50 Mohms at 500V DC.

7. 7 Withstanding voltage : 1 minute at 500 V AC.

7. 8 Effective electrical angle : 45  $^{\circ}$   $\pm$  5  $^{\circ}$

7. 9 Tracking error :  $\pm 2$  db max. at the center position.  
( VR1 ~ VR2 )



## 8 MECHANICAL CHARACTERISTICS

8. 1 Lever movement angle : 60  $^{\circ}$   $\pm$  5  $^{\circ}$

8. 2 Operating force : 20 mN·m ( 200gf ) max.

8. 3 Lever stopper strength : 1 N·m ( 10Kgf·cm )Min.

8. 3 Lever push-pull strength : 100 N ( 10Kgf ) Min.

8. 4 Lever play angle :  $\pm 1.5$   $^{\circ}$

## 9 ENDURANCE

9. 1 Operating life : 300000 cycles

## 10 OPERATING TEMPERATURE RANGE

10 - 1 Operating temperature range : -10 ~ 70  $^{\circ}$ C

10 - 1 Storage temperature range : -20 ~ 70  $^{\circ}$ C

11 Marking : B10K $\Omega$

12. STANDARD : JIS C6443

## 13 REMARKS

12. 1 Resistance to soldering heat is 3 sec at 300 $^{\circ}$ C

12. 2 Mounting shassis is less than 0.5 N ( 5 kgf·cm )

12. 3 This VR conforms to a RoHS instruction controlled substance.

**TSUBAME RADIO CO., LTD.**

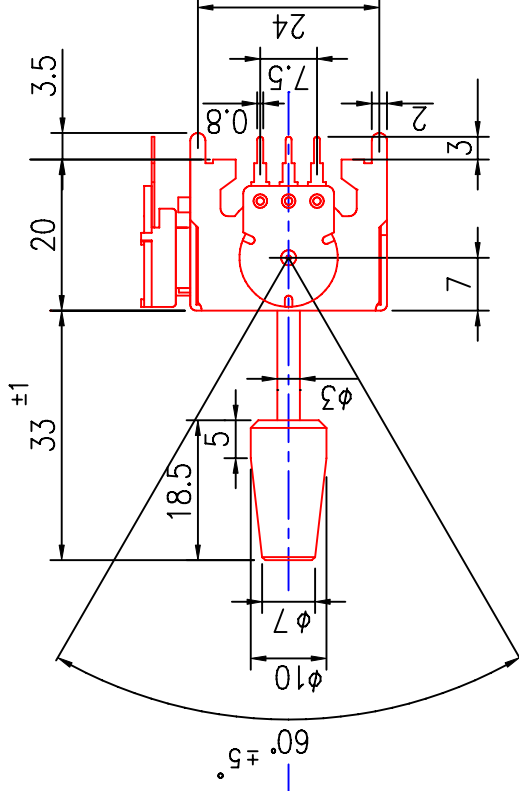
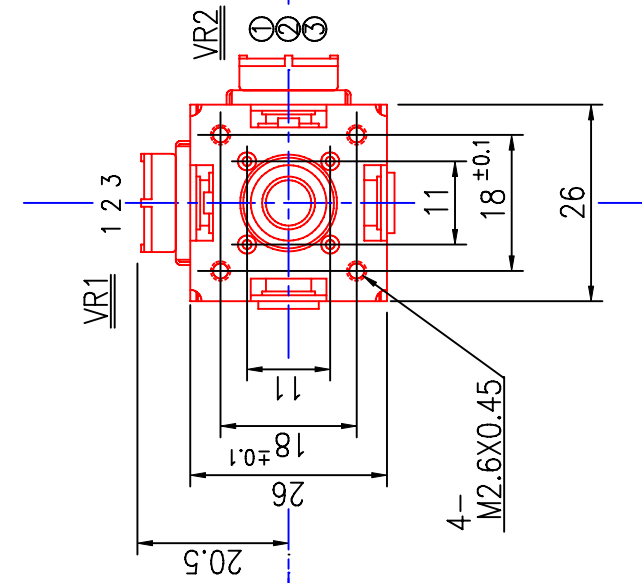
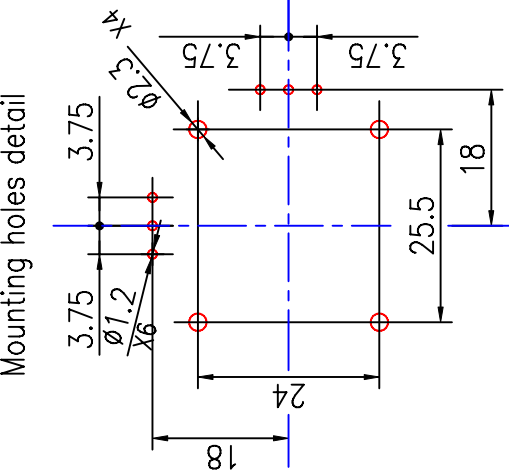
S. HAYASHI

T.TC - 013310

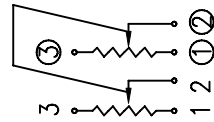
第3角法

| TOLERANCE UNLESS SPECIFICATION |        |
|--------------------------------|--------|
| Less than 10 mm                | ±0.3mm |
| Above 10 mm TO 30 mm           | ±0.5mm |
| Above 30 mm                    | ±1 mm  |
| Angular Dim.                   | ±5°    |

Mounting holes detail



CIRCUIT



△

| 標準原形        | STD-2607N               | 特殊部品 | 17KN-01R △ | 検図  |  | 承認  | 今村           | 尺度  | 1 / 1  |
|-------------|-------------------------|------|------------|-----|--|-----|--------------|-----|--|
| 符号          | STD-2607AR              | 図面番号 | STD-2607AR | 製図  |  | 検図  | 今村           | 形式  | TX-26PLR △   |
| 年月日         | 変更事項                    | 年月日  |            | 設計  |  | 年月日 | '90. 11. 16. | 形 式 | MANUAL TYPE JOY STICK (WITH KNOB)<br>手動式ジョイスティック, ツマミ付 |
| '05. 8. 26. | RoHS対応の為, 部品変更及び図番にRを追加 | 設計   | 林          | 年月日 |  | 検図  |              | 製 図 |  |
| 印           |                         | 年月日  |            |     |  | 検 図 |              | 承認  |  |
| 林           |                         | 年月日  |            |     |  |     |              | 製 図 |  |
|             |                         | 年月日  |            |     |  |     |              | 年月日 |  |