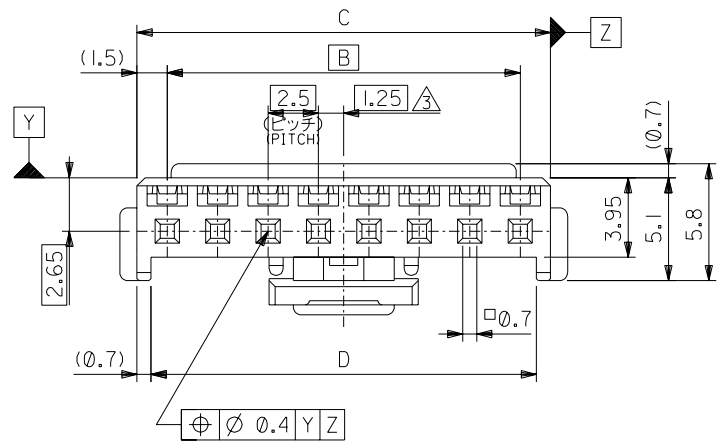
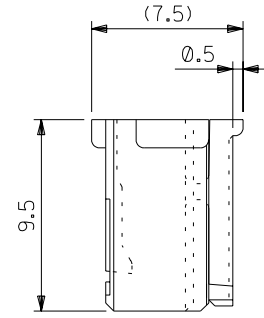
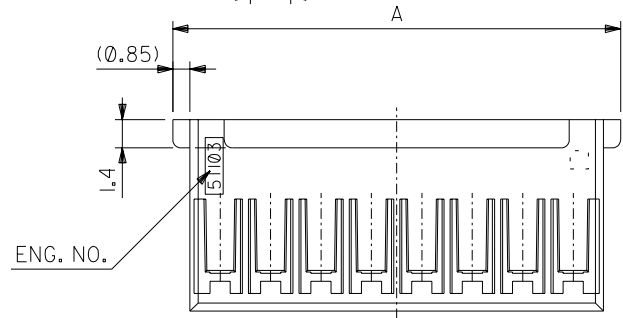


ターミナル装着状態図
TERMINAL ASSEMBLY DRAWING

注記 NOTES

- △ 適合ターミナル：50351-8*00
APPLICABLE TERMINAL：50351-8*00
- 2. 嵌合相手：53375,53376,53388,53389 シリーズ
MATE WITH：53375,53376,53388,53389 SERIES
- △ 偶数極の製品に適用。
APPLY EVEN CIRCUIT PRODUCTS.
- 4. 製品型番の下1桁は色を表す。
LAST DIGIT OF PART NUMBER INDICATES COLOR.
1：黒 BLACK 2：赤 RED 3：黄 YELLOW
4：青 BLUE 5：灰 GRAY 6：緑 GREEN
7：茶 BROWN 8：橙 ORANGE 9：紫 VIOLET

3-15 極に適用
FOR 3-15 CKTS.

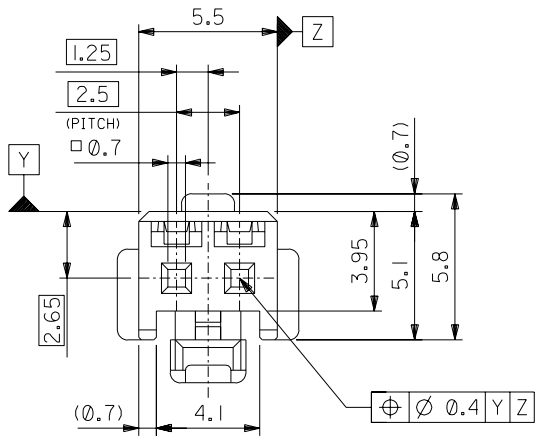
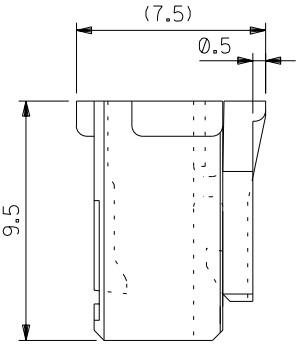
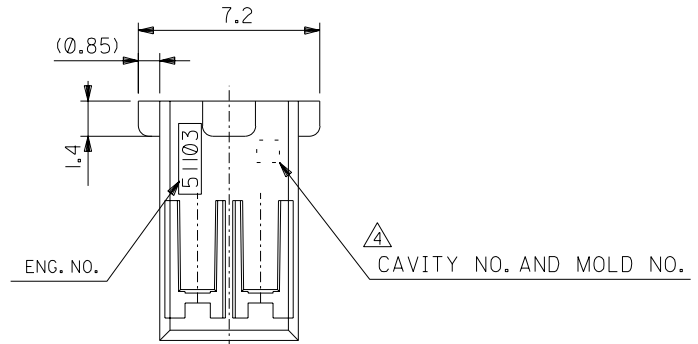
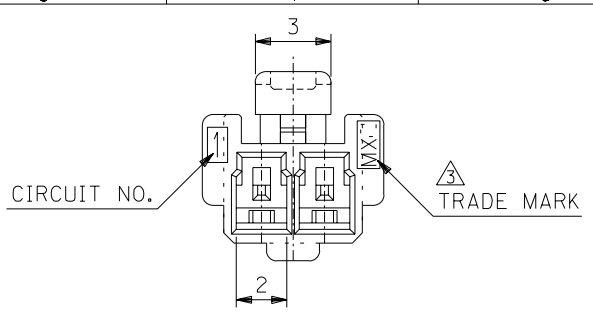


5	7.4	36.6	38	35	39.7	51103-156*	15
↑	↑	34.1	35.5	32.5	37.2	↑ -146*	14
		31.6	33	30	34.7	↑ -136*	13
		29.1	30.5	27.5	32.2	↑ -126*	12
		26.6	28	25	29.7	↑ -116*	11
		24.1	25.5	22.5	27.2	↑ -106*	10
		21.6	23	20	24.7	↑ -096*	9
		19.1	20.5	17.5	22.2	↑ -086*	8
		16.6	18	15	19.7	↑ -076*	7
		14.1	15.5	12.5	17.2	↑ -066*	6
↓	↓	11.6	13	10	14.7	↑ -056*	5
5	7.4	9.1	10.5	7.5	12.2	↓ -046*	4
3	5	6.6	8	5	9.7	51103-036*	3
F	E	D	C	B	A	MATERIAL NO.	CIRCUIT

DO NOT SCALE DRAWING

64 NO. DRAWN: CH'K: APPR: 63 NO. DRAWN: CH'K: APPR: 62 NO. DRAWN: CH'K: APPR:	REVISED 61 NO. J2002-3132 DRAWN: S.MATSUZAKI '01/6/14 CH'K: K.ASAKAWA '01/6/17 APPR: T.YAMAGUCHI '01/6/17 RELEASED 60 NO. J2002-0450 DRAWN: S.MATSUZAKI '01/8/28 CH'K: K.KASAHARA '01/8/29 APPR: T.YAMAGUCHI '01/8/29	MATERIAL 材料 ポリエステル (PBT)、充填材なし POLYESTER (PBT), UNFILLED, UL94V-0	GENERAL TOLERANCES: (UNLESS SPECIFIED) 一般公差 10 UNDER 未満 ±0.2 10 OVER 30 UNDER 未満 ±0.25 30 OVER 以上 ±0.3		SCALE 5 : 1 DESIGN UNITS mm INCH 3RD ANGLE PROJECTION	DIMENSIONS: mm INCH mm ONLY SHT REV 2 2 INVERSE ON CAD ONLY
			DESCRIPTION WIRE RANGE 適用線径範囲 INS. RANGE 被覆外径	DRAWN BY & DATE S.MATSUZAKI '01/ 8/28 CHECKED BY & DATE K.ASAKAWA '02/ 6/17 APPROVED BY & DATE T.YAMAGUCHI '02/ 6/17 CAD FILENAME 51103019.S02	TITLE: 2.5 WIRE TO BOARD CONN. HOUSING (POSITIVE LOCK)	

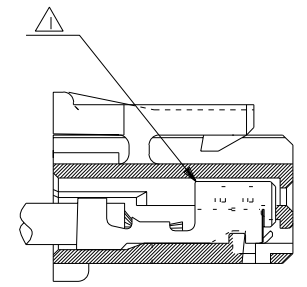
DWG. NO. SD-51103-020



注記 NOTES

- ① 適合ターミナル：50351-8*00
APPLICABLE TERMINAL : 50351-8*00
- 2. 嵌合相手：53464 シリーズ
MATE WITH : 53464 SERIES.
- ③ MX Jと表示。
INDICATE MXJ.
- ④ キャビティー番号：1桁～2桁の数字
金型番号：アルファベット1文字にて構成。(例. 1A, 10B)
FORMED BY 1 DIGIT TO 2 DIGIT NUMBERS (TO CAVITY NO.)
AND BY 1 LETTER OF ALPHABET (TO MOLD NO.).
(e.g. 1A, 10B)
- 5. 製品番号の末尾は製品の色を示す
LAST NUMBER OF DWG.NO. MEANS PART COLLER.

51103-**25
色番号
COLLER CODE
5 蛍光灰色 GRAY



ターミナル装着状態図
TERMINAL ASSEMBLY DRAWING

51103-0225	2
MATERIAL NO.	NO. OF CIRCUIT

DIMENSIONS:		SHT	REV
<input type="checkbox"/> mm	<input type="checkbox"/> INCH	<input type="checkbox"/> mm	<input type="checkbox"/> INCH
PROJECTION		OTHERWISE ON CAD ONLY	

①64NO. DRWN: CH'K: APPR:	①63NO. DRWN: CH'K: APPR:	①62NO. DRWN: CH'K: APPR:	①61NO. DRWN: CH'K: APPR:	RELEASED 02/11/22 ①60NO. J2003-1451 DRWN: N.IITO CH'K: K.ASAKAWA APPR: T.YAMAGUCHI
0				

MATERIAL 材料 POLYBUTYLENE TEREPHTHALATE UL94V-0	FINISH 仕上げ	WIRE RANGE 適用線径範囲	INS. RANGE 被覆外径
	#	#	#

GENERAL TOLERANCES: (UNLESS SPECIFIED) 一般公差	SCALE 5 : 1	DESIGN UNITS <input checked="" type="checkbox"/> mm <input type="checkbox"/> INCH	DRAWN BY & DATE N.IITO '02/11/22	TITLE: 2.5 WIRE TO BOARD CONN. HOUSING (POSITIVE LOCK)
10 UNDER 未満	±0.2		CHECKED BY & DATE K.ASAKAWA '02/11/22	MOLEX MOLEX INCORPORATED
10 OVER 30 UNDER 以上 未満	±0.25		APPROVED BY & DATE T.YAMAGUCHI '02/11/22	
30 OVER 以上	±0.3		CAD FILENAME SD-51103-020.S01	

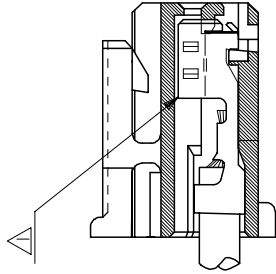
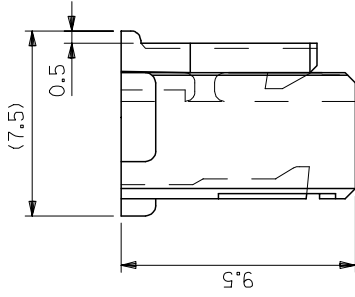
ANGLE 角度	±3°	MATERIAL NO. SEE CHART	DRAWING NO. SD-51103-020	SHEET NO. 1 OF 1
THIS DRAWING CONTAINS INFORMATION THAT IS PROPRIETARY TO MOLEX INCORPORATED AND SHOULD NOT BE USED WITHOUT WRITTEN PERMISSION.				

DO NOT SCALE DRAWING

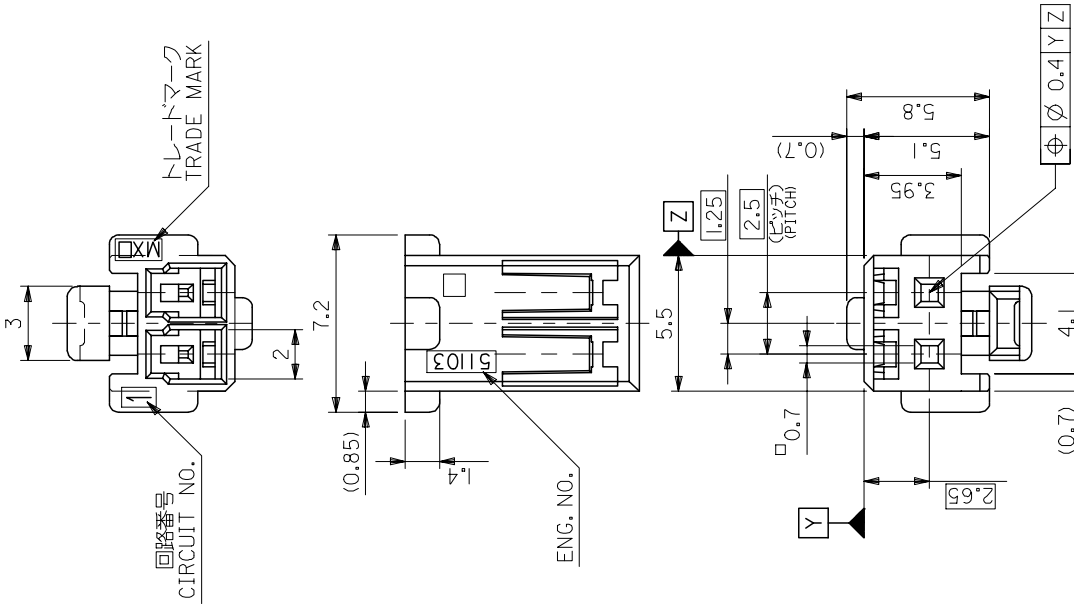
F 1 2 3 4 5 6 7 8 9 10

注記 NOTES

- △ 適合ターミナル: 50351-8*00
APPLICABLE TERMINAL : 50351-8*00
- 2. 嵌合相手: 53375,53426 シリーズ
MATE WITH : 53375,53426 SERIES
- △ 偶数極の製品に適用。
APPLY EVEN CIRCUIT PRODUCTS.
- 4. 製品型番の下1桁は色を表す。
LAST DIGIT OF PART NUMBER INDICATES COLOR.
- 0 : 白 WHITE 1 : 黒 BLACK 2 : 赤 RED
- 3 : 黄 YELLOW 4 : 青 BLUE



ターミナル装着状態図
TERMINAL ASSEMBLY DRAWING



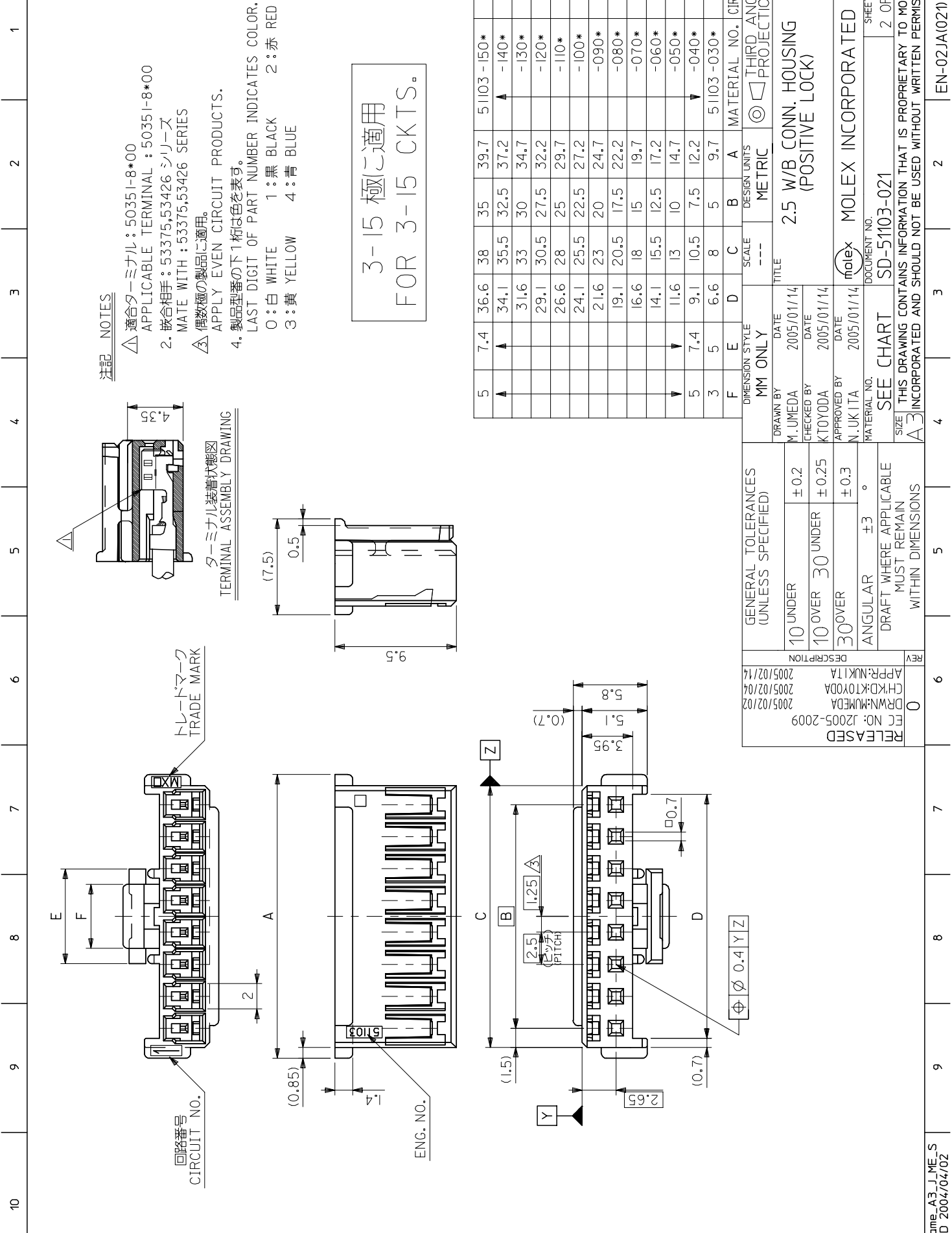
2極に適用
FOR 2 CKTS.

REV	DESCRIPTION
0	RELEASED EC NO: J2005-2009 DRWN: MUMEDA 2005/02/02 CHKD: KTOYODA 2005/02/04 APP: NUKITA 2005/02/14

GENERAL TOLERANCES (UNLESS SPECIFIED)		
10 UNDER	± 0.2	
10 OVER	30 UNDER	± 0.25
30 OVER	± 0.3	
ANGULAR	± 3 °	
DRAFT WHERE APPLICABLE MUST REMAIN WITHIN DIMENSIONS		

DRAWN BY	DATE	DIMENSION STYLE
M. UMEDA	2005/01/14	MM ONLY
CHECKED BY	DATE	SCALE
K. TOYODA	2005/01/14	---
APPROVED BY	DATE	DESIGN UNITS
N. UKITA	2005/01/14	METRIC
MATERIAL NO.		TITLE
SD-51103-021		2.5 W/B CONN. HOUSING (POSITIVE LOCK)

MATERIAL NO.	CIRCUIT
51103-020*	2
THIRD ANGLE PROJECTION	
MOLEX INCORPORATED	
DOCUMENT NO.	SHEET NO.
SD-51103-021	1 OF 2
THIS DRAWING CONTAINS INFORMATION THAT IS PROPRIETARY TO MOLEX INCORPORATED AND SHOULD NOT BE USED WITHOUT WRITTEN PERMISSION	



注記 NOTES

- △ 適合ターミナル: 50351-8*00
 APPLICABLE TERMINAL : 50351-8*00
- 2. 嵌合相手 : 53375,53426 シリーズ
 MATE WITH : 53375,53426 SERIES
- △ 偶数極の製品に適用。
 APPLY EVEN CIRCUIT PRODUCTS.
- 4. 製品型番の下1桁は色を表す。
 LAST DIGIT OF PART NUMBER INDICATES COLOR.
 0 : 白 WHITE 1 : 黒 BLACK 2 : 赤 RED
 3 : 黄 YELLOW 4 : 青 BLUE

ターミナル装着状態図
 TERMINAL ASSEMBLY DRAWING

トレードマーク
 TRADE MARK

回路番号
 CIRCUIT NO.

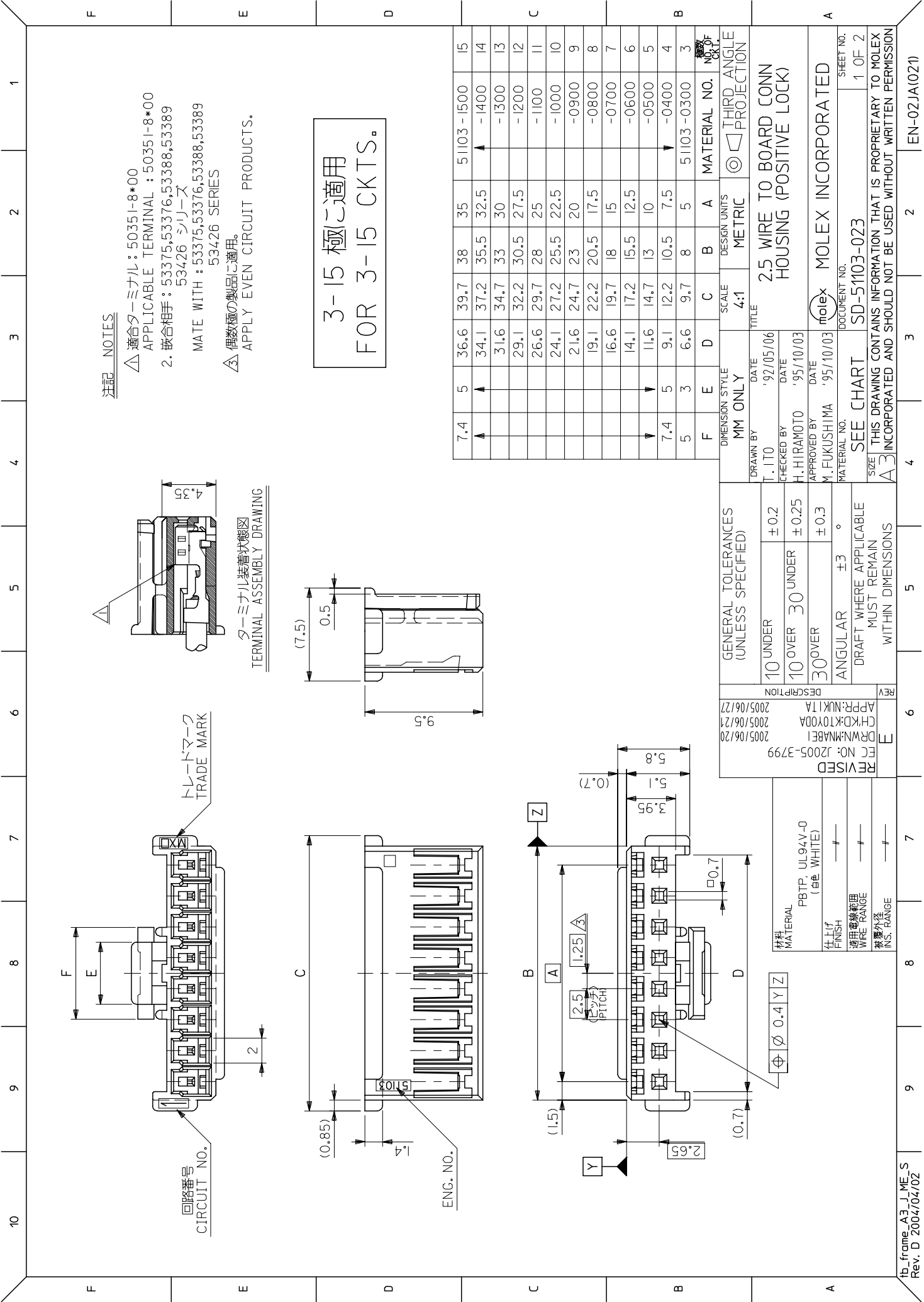
ENG. NO.

3-15 極に適用
 FOR 3-15 CKTS.

5	DIMENSION STYLE		SCALE		DESIGN UNITS		THIRD ANGLE PROJECTION
	MM ONLY	DATE	---	---	METRIC	---	
7.4	36.6	38	35	39.7	51103-150*	15	
▲	34.1	35.5	32.5	37.2	▲ -140*	14	
	31.6	33	30	34.7	-130*	13	
	29.1	30.5	27.5	32.2	-120*	12	
	26.6	28	25	29.7	-110*	11	
	24.1	25.5	22.5	27.2	-100*	10	
	21.6	23	20	24.7	-090*	9	
	19.1	20.5	17.5	22.2	-080*	8	
	16.6	18	15	19.7	-070*	7	
	14.1	15.5	12.5	17.2	-060*	6	
▼	11.6	13	10	14.7	-050*	5	
5	7.4	9.1	10.5	7.5	12.2	▼ -040*	4
3	5	6.6	8	5	9.7	51103-030*	3
F	E	D	C	B	A	MATERIAL NO.	CIRCUIT

GENERAL TOLERANCES (UNLESS SPECIFIED)		DRAWN BY		DATE		TITLE	
10 UNDER	±0.2	M. UMEDA	2005/01/14	2.5 W/B CONN. HOUSING (POSITIVE LOCK)			
10 OVER	30 UNDER	30 OVER	±0.25	checked by	DATE		
ANGULAR	±0.3	APPROVED BY		DATE			
DRAFT WHERE APPLICABLE MUST REMAIN WITHIN DIMENSIONS		N. UKITA		2005/01/14			
		MATERIAL NO.		DOCUMENT NO.			
		SEE CHART		SD-51103-021			
		SIZE		THIS DRAWING CONTAINS INFORMATION THAT IS PROPRIETARY TO MOLEX INCORPORATED AND SHOULD NOT BE USED WITHOUT WRITTEN PERMISSION			
		A3					
		MOLEX INCORPORATED		SHEET NO.		2 OF 2	

REVISION		DESCRIPTION	
0	RELEASED	EC NO: J2005-2009	DRWN: MUMEDA
		2005/02/02	2005/02/04
		CHKD: KTOYODA	2005/02/04
		APP: NUKITA	2005/02/14



注記 NOTES

- △ 適合ターミナル: 50351-8*00
APPLICABLE TERMINAL: 50351-8*00
- 2. 嵌合相手: 53375, 53376, 53388, 53389
53426 シリーズ
MATE WITH: 53375, 53376, 53388, 53389
53426 SERIES
- △ 偶数極の製品に適用。
APPLY EVEN CIRCUIT PRODUCTS.

ターミナル装着状態図
TERMINAL ASSEMBLY DRAWING

3-15 極に適用
FOR 3-15 CKTS.

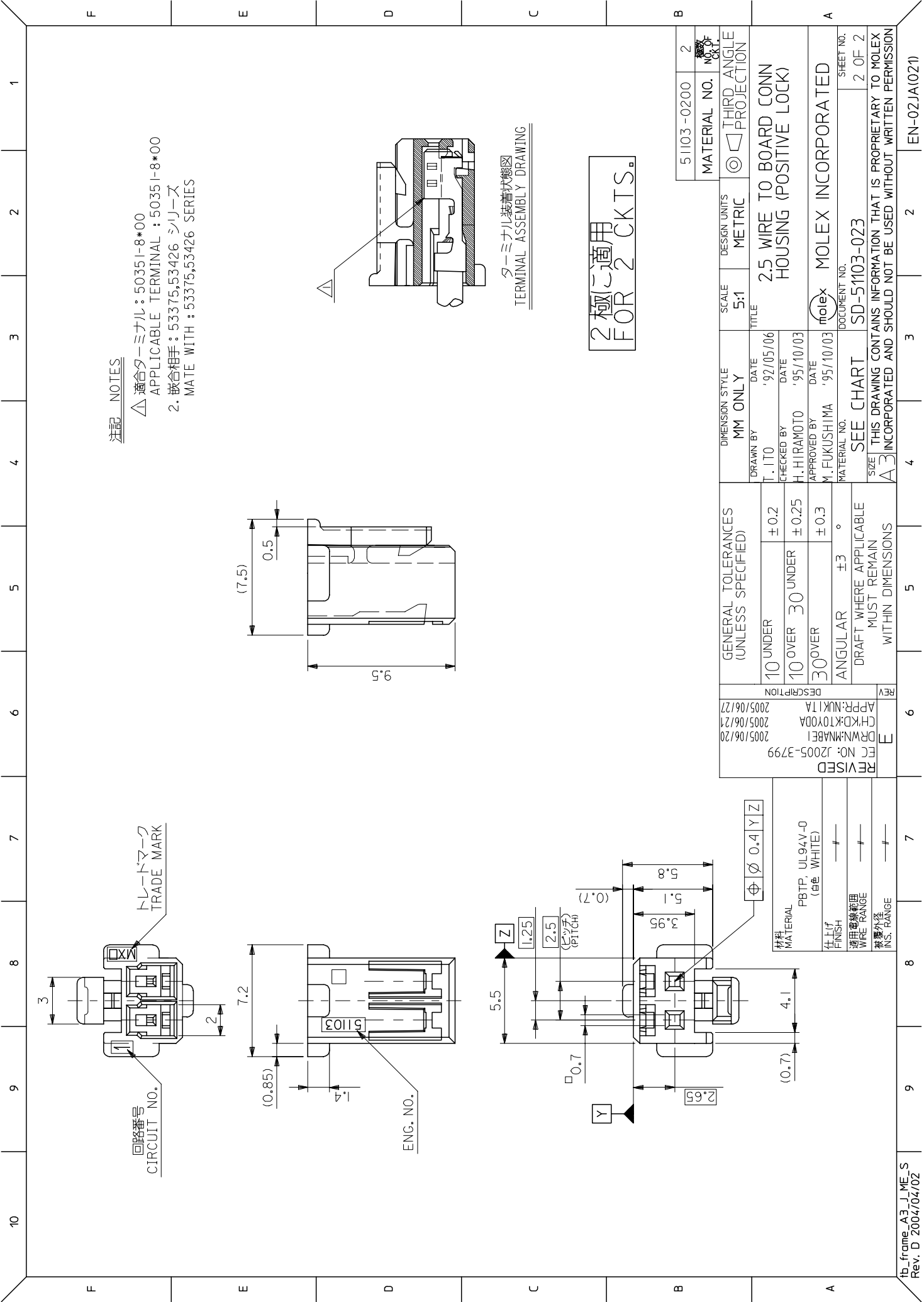
DIMENSION	MM ONLY		SCALE		DESIGN UNITS		MATERIAL NO.	NO. OF CKTS.
	MM	ONLY	SCALE	4:1	DESIGN UNITS	METRIC		
7.4	▲	36.6	39.7	38	35	51103-1500	15	
		34.1	37.2	35.5	32.5	▲	-1400	
		31.6	34.7	33	30		-1300	
		29.1	32.2	30.5	27.5		-1200	
		26.6	29.7	28	25		-1100	
		24.1	27.2	25.5	22.5		-1000	
		21.6	24.7	23	20		-900	
		19.1	22.2	20.5	17.5		-800	
		16.6	19.7	18	15		-700	
		14.1	17.2	15.5	12.5		-600	
		11.6	14.7	13	10		-500	
7.4	▼	9.1	12.2	10.5	7.5	▼	-400	
5	3	6.6	9.7	8	5	51103-0300	3	
F	E	D	C	B	A			

DIMENSION STYLE		SCALE		DESIGN UNITS		MATERIAL NO.		NO. OF CKTS.	
MM ONLY	DATE	SCALE	4:1	DESIGN UNITS	METRIC	MATERIAL NO.	NO. OF CKTS.	THIRD ANGLE PROJECTION	
DRAWN BY	T. ITO	DATE	'92/05/06	TITLE					
CHECKED BY	H. HIRAMOTO	DATE	'95/10/03	2.5 WIRE TO BOARD CONN HOUSING (POSITIVE LOCK)					
APPROVED BY	M. FUKUSHIMA	DATE	'95/10/03	MOLEX INCORPORATED					
MATERIAL NO.	SD-51103-023	DOCUMENT NO.							
SEE CHART		SHEET NO. 1 OF 2							
SIZE THIS DRAWING CONTAINS INFORMATION THAT IS PROPRIETARY TO MOLEX INCORPORATED AND SHOULD NOT BE USED WITHOUT WRITTEN PERMISSION									

GENERAL TOLERANCES (UNLESS SPECIFIED)		DRAWING WHERE APPLICABLE MUST REMAIN WITHIN DIMENSIONS	
10 UNDER	± 0.2	ANGULAR	± 3 °
10 OVER	30 UNDER	DRAFT WHERE APPLICABLE MUST REMAIN WITHIN DIMENSIONS	
30 OVER	± 0.3		

DESCRIPTION	REV
FC NO: J2005-3799	E
DRWN: MNABEI	
CHKD: TOYODA	
APPR: NUKITA	
2005/06/23	
2005/06/27	

材料 MATERIAL PBTP UL94V-0 (色 WHITE)
仕上り FINISH —
適用温度範囲 WIRE RANGE —
検査外注 INS. RANGE —



注記 NOTES

- △ 適合ターミナル : 50351-8*00
 APPLICABLE TERMINAL : 50351-8*00
- 2. 嵌合相手 : 53375,53426 シリーズ
 MATE WITH : 53375,53426 SERIES

ターミナル装着状態図
 TERMINAL ASSEMBLY DRAWING

2極に適用
 FOR 2 CKTS.

DIMENSION STYLE MM ONLY		SCALE	DESIGN UNITS	TITLE	
DRAWN BY T. ITO		5:1	METRIC	2.5 WIRE TO BOARD CONN HOUSING (POSITIVE LOCK)	
CHECKED BY H. HIRAMOTO				MOLEX INCORPORATED	
APPROVED BY M. FUKUSHIMA				DOCUMENT NO. SD-51103-023	
DATE '92/05/06				SHEET NO. 2 OF 2	
DATE '95/10/03				THIS DRAWING CONTAINS INFORMATION THAT IS PROPRIETARY TO MOLEX INCORPORATED AND SHOULD NOT BE USED WITHOUT WRITTEN PERMISSION	
DATE '95/10/03				EN-02JA1021	
MATERIAL NO. 51103-0200				THIRD ANGLE PROJECTION	
NO. OF CKTS. 2				GENERAL TOLERANCES (UNLESS SPECIFIED)	
				10 UNDER ±0.2 10 OVER 30 UNDER ±0.25 30 OVER ±0.3 ANGULAR ±3 ° DRAFT WHERE APPLICABLE MUST REMAIN WITHIN DIMENSIONS	
DESCRIPTION APPR: NUKITA 2005/06/27		REVISED FC NO: J2005-3799 DRWN: MNABE 2005/06/20		CHECK: TOYODA 2005/06/21	