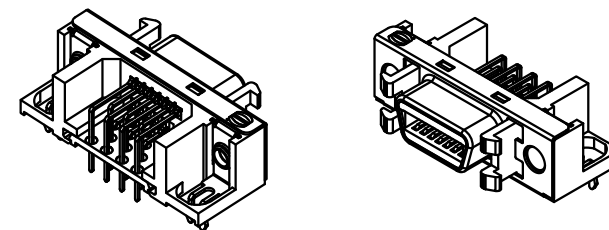
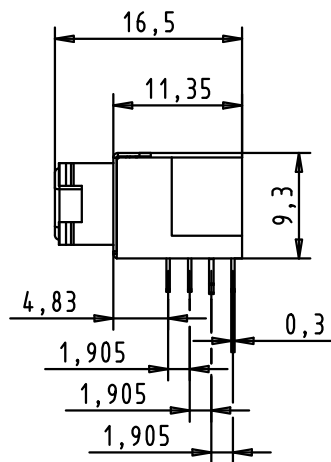
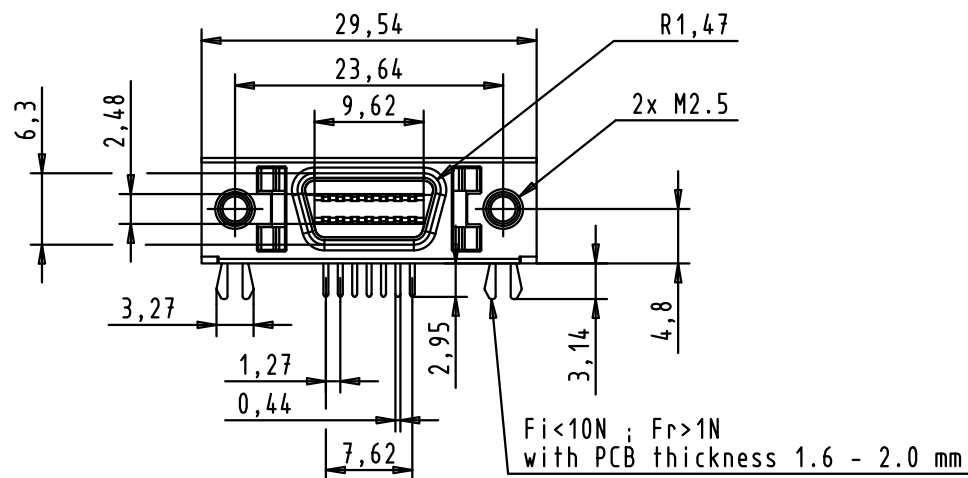


PCB Layout: component side



According to IEC 61076-3-100

1) see TB 60 11 014 5740 folio 2/2 for reel packaging

				Dot.	Name	<p>All Dim. in mm Orig. Size DIN A 4</p>	har.mik® I/O bellow 14 poles female SMC with angled solder pins, boardlocks, fixed latches	Maßstab/ Scale  1.5:1	
				Detail.	11Jul2006				ED
				Insp.					
				Stand.					
33811	18Oct2006	ED	HARTING EURL F-95972 Paris				TB 60 11 014 5740	Blatt/ Page 1 / 2	
33795	07Aug2006	ED							
33781	12Jul2006	ED							
Mod.	Dot.	Name					Sub.		

1 2 3 4 5 6

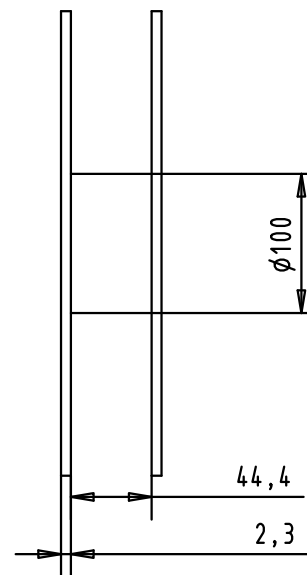
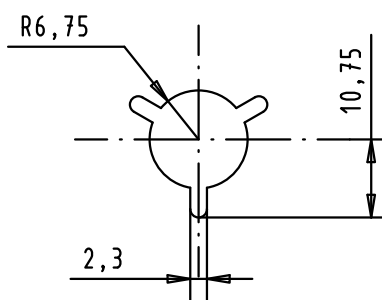
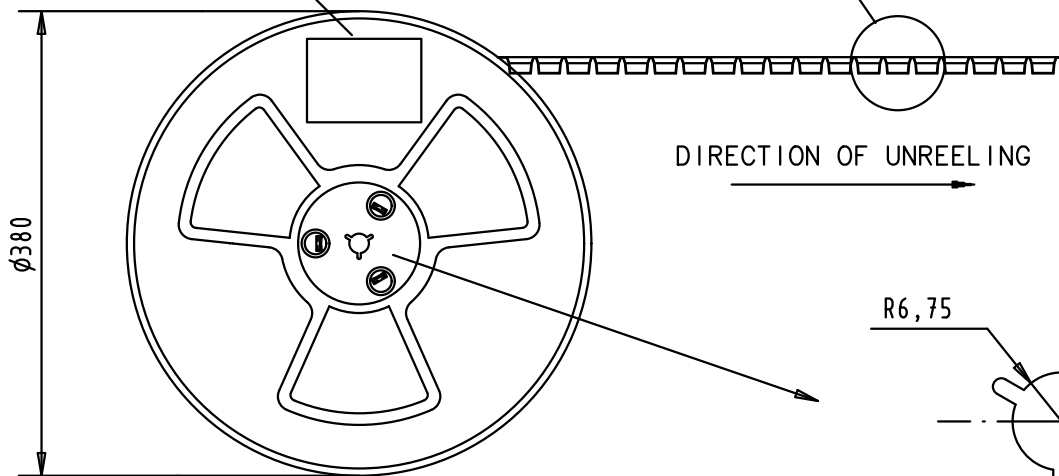
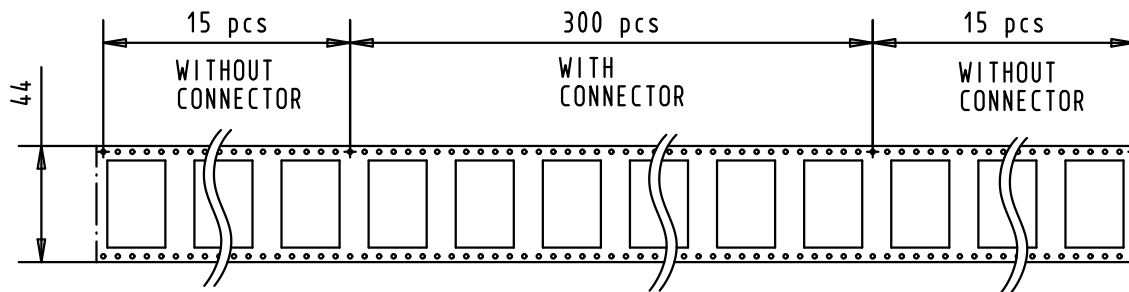
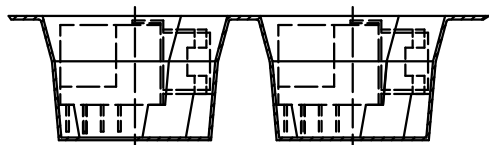
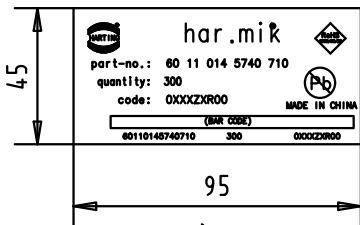
A

B

C

D

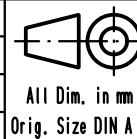
REEL LABEL



1) see TB 60 11 014 5740 folio 1/2 for connector dimensions and PCB layout

Packaging in accordance with EIA 481-2-A tape & reel packaging for grimping process

				Dot.	Name
				Detail.	180ct+2006 ED
				Insp.	
				Stand.	



All Dim. in mm  
Orig. Size DIN A 4

har.mik® I/O bellow  
14 poles female SMC  
with angled solder pins,  
boardlocks, fixed latches  
in reel unit packaging

Maßstab/  
Scale

60 11 014 5740.710

in reel unit packaging  
300 connectors

33811 180ct+2006 ED

HARTING EURL  
F-95972 Paris



TB 60 11 014 5740

Blatt/ Page

2 / 2

Part Number

Index Designation

Mod. Dat. Name

Sub.