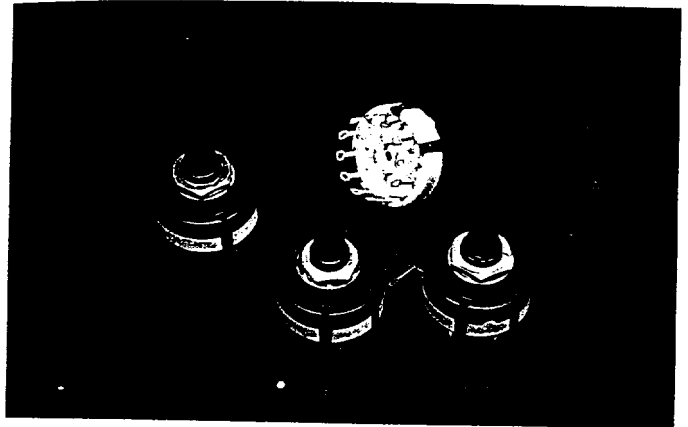


480-514

General Electrical and Mechanical Specification

Maximum Working Voltage:	300V AC/DC Resistive Load
Isolating Voltage:	1,000V RMS min.
Current Carrying Capacity:	5A (non switching)
Contact Rating (switching):	150mA 250V AC/DC
Insulation Resistance:	25,000 Megohms min.
Operating temperature	-30°C to +85°C
Life:	Greater than 10,000 Cycles
Operating Torque (nominal):	Standard 5.6 Ncm Light action 2.1 Ncm
End Stop Torque (minimum):	1.13 Nm
Moulding Material:	Glass filled Nylon
Contact/Terminal Material:	Silver Plated Brass

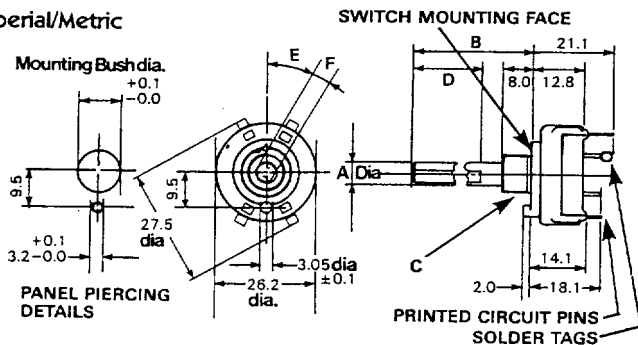


General features

- Made in UK
- Cost effective single wafer switch
- Moulded 27.5mm diameter
- Standard 30° Indexing
- Solder or Printed Circuit Board Terminals
- Shorting (make before break with 30° indexing) or non shorting (break before make) contacts
- Up to 4 poles per switch
- Maximum 12 positions
- Adjustable stop to restrict number of positions
- Special options: 60° or 90° indexing, continuous rotation, fixed stop, UL-VO rated material, gold flashed or gold plated contacts, spindles with special flats, slots, knurls.

3K TYPE ROTARY SWITCH SPECIFICATION SHEET

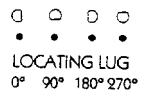
Imperial/Metric



CUSTOMER TO COMPLETE OR DIEBITE AS REQUIRED

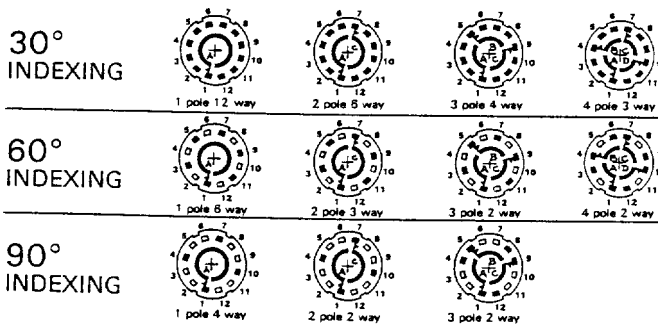
	A	B	C
Imp.	Ø6.35		Ø9.52x32TPI
Metric	Ø6.00		M10x0.75
	D	E	F
Imp.			
Metric			

NOTE:
The angle of the spindle flat is shown with the locating lug at the bottom of the switch, when the switch is set in the fully anti-clockwise position (as position 1) viewed from the knob end of the spindle.

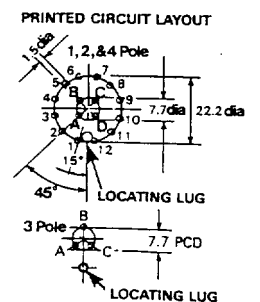


Indexing				Indexing				Indexing				Indexing			
Positions <input type="text"/>				Positions <input type="text"/>				Positions <input type="text"/>				Positions <input type="text"/>			
MBB	BBM	SOL	PCB	MBB	BBM	SOL	PCB	MBB	BBM	SOL	PCB	MBB	BBM	SOL	PCB

Important! Wafers viewed from front of switch in extreme anticlockwise position (Position 1)



No. of poles	Indexing angle		
	30°	60°	90°
1	12	6	4
2	6	3	2
3	4	2	2
4	3	2	



Spindle Flat Depth for
6mm diameter Spindle is 5mm
6.35mm diameter Spindle is 5.5mm

Screwdriver Slot Detail

Width 1.7mm
Depth 5.0mm
Angle 90°

CK Rotary Switch

Standard Part Numbers

Basic types	Spindle diameter	Spindle Length from mounting face	8mm long bush	Spindle flat length	Angle of spindle flat	Spindle Flat thickness
Imperial	6.35mm	38mm	9.52 x 32TPI	30mm	90°	5.5mm
Metric	6.00mm	50mm	M10 x 0.75	no flat	—	—

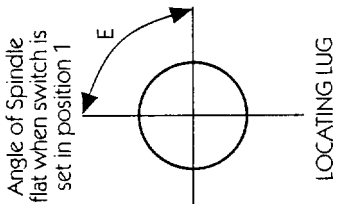
Circuitry at 30° Indexing	Plating finish	Standard Metric		Standard Imperial		
		shorting (MBB)	non shorting (BBM)	shorting (MBB)	non shorting (BBM)	
1 pole 12 position solder tag	silver	CK1039	CK1029	CK1034	CK1024	
	gold flash	CK1508	CK1503	CK1516	CK1520	
	gold plate	CK2444	CK1672	CK2458	CK2459	
	printed circuit	silver	CK1059	CK1049	CK1054	CK1044
		gold flash	CK1512	CK1506	CK1524	CK1528
		gold plate	CK1475	CK1312	CK2460	CK2461
1 pole 12 position solder tag	silver	CK1038	CK1028	CK1033	CK1023	
	gold flash	CK1533	CK1537	CK1541	CK1545	
	gold plate	CK2445	CK2446	CK2462	CK2463	
	printed circuit	silver	CK1058	CK1048	CK1053	CK1043
		gold flash	CK1534	CK1538	CK1542	CK1546
		gold plate	CK2447	CK2448	CK2464	CK2465
2 pole 6 position solder tag	silver	CK1040	CK1030	CK1035	CK1025	
	gold flash	CK1509	CK1496	CK1517	CK1521	
	gold plate	CK2449	CK1726	CK2466	CK2467	
	printed circuit	silver	CK1060	CK1050	CK1055	CK1045
		gold flash	CK1513	CK1473	CK1525	CK1529
		gold plate	CK2450	CK1850	CK2468	CK2469
2 pole 6 position solder tag	silver	CK1114	CK1118	CK1120	CK1121	
	gold flash	CK1535	CK1539	CK1543	CK1547	
	gold plate	CK2451	CK2452	CK2470	CK2471	
	printed circuit	silver	CK1119	CK1113	CK1122	CK1089
		gold flash	CK1536	CK1540	CK1544	CK1548
		gold plate	CK2453	CK2454	CK2472	CK2473
3 pole 4 position solder tag	silver	CK1041	CK1031	CK1036	CK1026	
	gold flash	CK1510	CK1504	CK1518	CK1522	
	gold plate	CK2455	CK1577	CK2474	CK2475	
	printed circuit	silver	CK1061	CK1051	CK1056	CK1046
		gold flash	CK1514	CK1500	CK1526	CK1530
		gold plate	CK2456	CK1952	CK2476	CK2477
4 pole 3 position solder tag	silver	CK1042	CK1032	CK1037	CK1027	
	gold flash	CK1511	CK1505	CK1519	CK1523	
	gold plate	CK1673	CK1822	CK2478	CK2479	
	printed circuit	silver	CK1062	CK1052	CK1057	CK1047
		gold flash	CK1515	CK1507	CK1527	CK1531
		gold plate	CK2457	CK1953	CK2480	CK2481

CK Rotary Switch Spec. Sheet

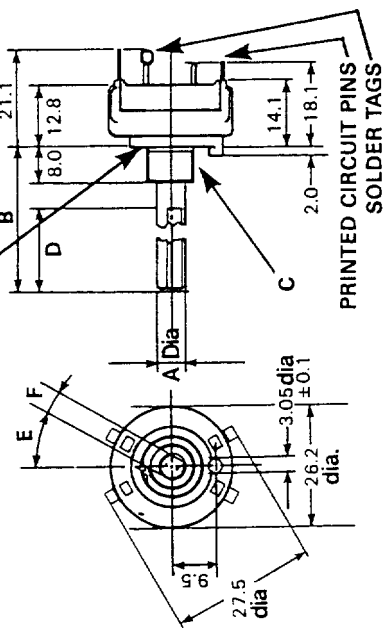
CUSTOMER TO COMPLETE OR DELETE AS REQUIRED

	A	B	C
IMP	Ø6.35		Ø9.52 x 32TPI
METRIC	Ø6.0		M10 x 0.75

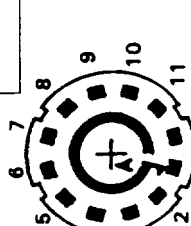
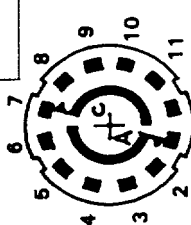
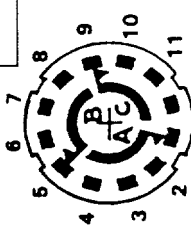
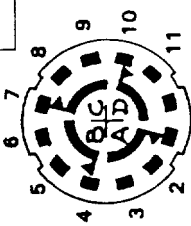
	D	E	F



SWITCH MOUNTING FACE



Indexing	Indexing	Indexing	Indexing
1 POLE	2 POLE	3 POLE	4 POLE
POSITIONS <input type="text"/>	POSITIONS <input type="text"/>	POSITIONS <input type="text"/>	POSITIONS <input type="text"/>
MBB	MBB	MBB	MBB
BBM	BBM	BBM	BBM
SOL	SOL	SOL	SOL
PCB	PCB	PCB	PCB



IMPORTANT! WAFERS VIEWED FROM FRONT OF SWITCH IN EXTREME ANTICLOCKWISE POSITION (POSITION 1)

SPECIAL REQUIREMENTS

OPTIONS

Stops are adjustable 2-12 positions. Continuous rotation (no stops) available. Make before break (MBB) or Break before make (BBM) rotors available. Solder tag (SOL) or pcb pin (PCB) — indicate on wafer.

Customer: Date: Customer Reference Number: