

# Data sheet: Safety Isolating Transformers Type VC

---

Description ..... : Safety isolating transformer constructed and tested according to VDE 0570/EN 61 558, UL 506, CSA 22.2

Approvals ..... : According to table

Test voltage ..... PRI - SEC 5000 V, 50 Hz  
SEC – SEC 250 V, 50Hz

Short-circuit protection ..... : non-short-circuit proof

Construction ..... : Open design, potted in insulation housing

Safety class ..... : Prepared for class II equipment

Protection index ..... : Connections IP 00  
Housing IP 65

Max ambient temperature .... : According to table

Insulation class of the insulation system ..... : VDE (B= 130°C) ; UL+CSA Class 105 (A=105°C)

Input voltage ..... : 230V

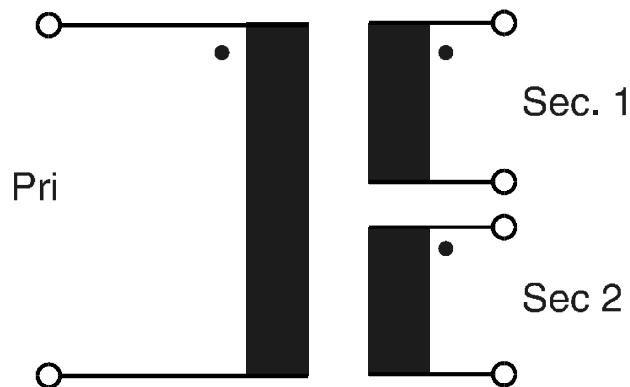
Frequency ..... : 50 - 60 Hz

Output voltage ..... : According to table

Connections ..... : Soldering pins for printed circuit board mounting

Packing ..... : Separately packed in cartons

Schematic plan :



Description :

-----  
 These VC type resin moulded safety isolating transformers,  
 are non-short-circuit proof transformers for PCB mounting.  
 The dual output windings are for series or parallel connection.

Note :

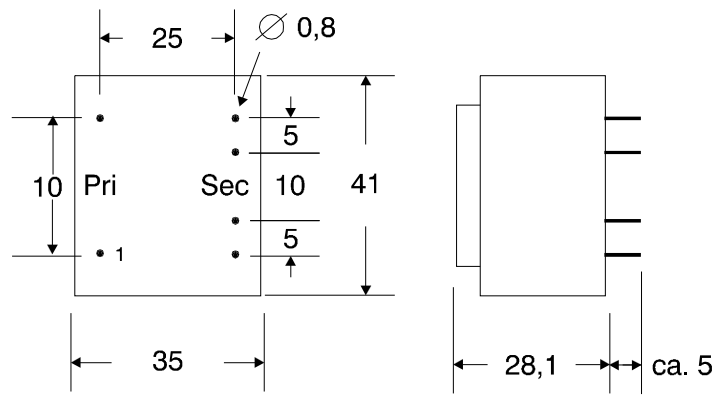
- \* vacuum epoxy resin moulded (self-extinguishing to UL 94 V0)
- \* 100% tested
- \* Two chamber bobbin construction

**Output power 3,2 VA** Core-type EI 38/13,5

Height 28,1 mm Weight 150g

Ground area 41 mm x 35 mm

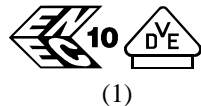
Type	SEC rated output- voltage current		Approvals
	V	A	
VC 3,2/2/6	2x6	2x0,266	1,2
VC 3,2/2/8	2x8	2x0,20	1,2
VC 3,2/2/9	2x9	2x0,177	1,2
VC 3,2/2/12	2x12	2x0,133	1,2
VC 3,2/2/15	2x15	2x0,106	1,2
VC 3,2/2/18*	2x18	2x0,088	1,2
VC 3,2/2/24*	2x24	2x0,066	1,2



according to VDE 0570/EN 61 558 -1 : 1997 with part 2-6  
 \*according to VDE 0570/EN 61 558 -1 : 1997 with part 2-1

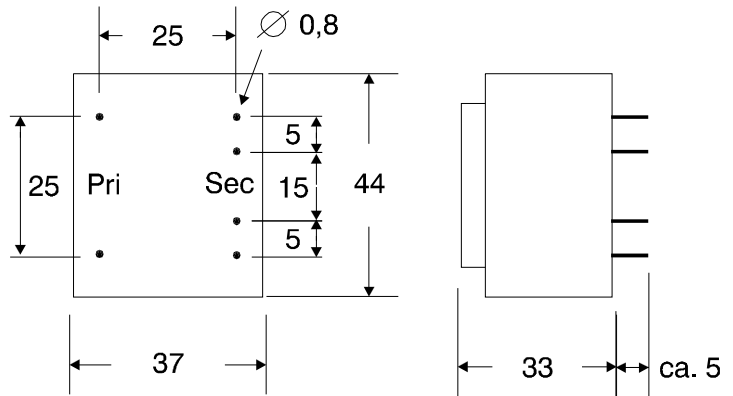
No load output voltage x Factor = typ. 1,45  
 Core Losses typ. 0,8W  
 Efficiency typ. 65 %  
 Ambient Temperature (ta) +60°C

Approvals



Height 33 mm      Weight 190g  
 Ground area 44 mm x 37 mm

Type	SEC rated output-		Approvals
	voltage V	current A	
VC 5,0/2/6	2x6	2x0,416	1,2
VC 5,0/2/8	2x8	2x0,321	1,2
VC 5,0/2/9	2x9	2x0,277	1,2
VC 5,0/2/12	2x12	2x0,208	1,2
VC 5,0/2/15	2x15	2x0,166	1,2
VC 5,0/2/18	2x18	2x0,138	1,2
VC 5,0/2/24*	2x24	2x0,104	2



according to VDE 0570/EN 61 558 -1 : 1997 with part 2-6  
 \*according to VDE 0570/EN 61 558 -1 : 1997 with part 2-1

No load output voltage x Factor = typ. 1,35  
 Core Losses typ. 1,5  
 Efficiency typ. 77 %  
 Ambient Temperature (ta) +50°C

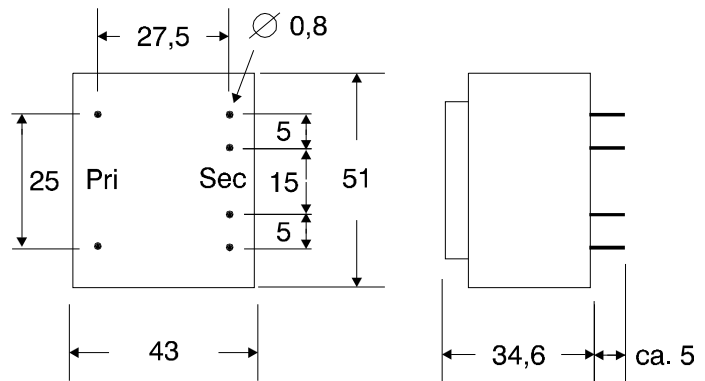
Approvals  (1)

 (2)

Height 34,6 mm Weight 280g

Ground area 51 mm x 43 mm

Type	SEC rated output-voltage V	current A	Approvals
VC 10/2/6	2x6	2x0,833	1,2
VC 10/2/8	2x8	2x0,625	1,2
VC 10/2/9	2x9	2x0,555	1,2
VC 10/2/12	2x12	2x0,416	1,2
VC 10/2/15	2x15	2x0,333	1,2
VC 10/2/18	2x18	2x0,277	1,2
VC 10/2/24*	2x24	2x0,208	2



according to VDE 0570/EN 61 558 -1 : 1997 with part 2-6  
\*according to VDE 0570/EN 61 558 -1 : 1997 with part 2-1

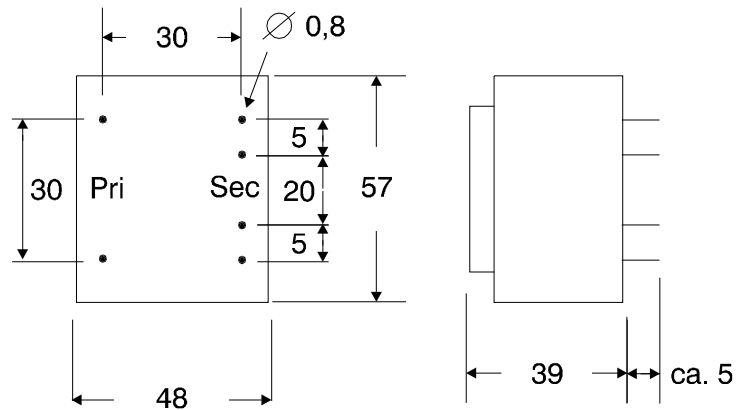
No load output voltage x Factor = typ. 1,22  
Core Losses typ. 1,5  
Efficiency typ. 79 %  
Ambient Temperature (ta) +40°C

Approvals  (1)

 (2)

Height 39 mm      Weight 420g  
 Ground area 57 mm x 48 mm

Type	SEC rated output-		Approvals
	voltage V	current A	
VC 16/2/6	2x6	2x1,33	1,2
VC 16/2/8	2x8	2x1,00	1,2
VC 16/2/9	2x9	2x0,88	1,2
VC 16/2/12	2x12	2x0,66	1,2
VC 16/2/15	2x15	2x0,53	1,2
VC 16/2/18	2x18	2x0,44	1,2
VC 16/2/24*	2x24	2x0,33	2



according to VDE 0570/EN 61 558 -1 : 1997 with part 2-6  
 \*according to VDE 0570/EN 61 558 -1 : 1997 with part 2-1

No load output voltage x Factor =    typ. 1,20  
 Core Losses                                typ. 1,8W  
 Efficiency                                    typ. 80 %  
 Ambient Temperature (ta)                +40°C

