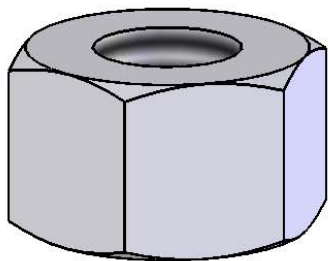
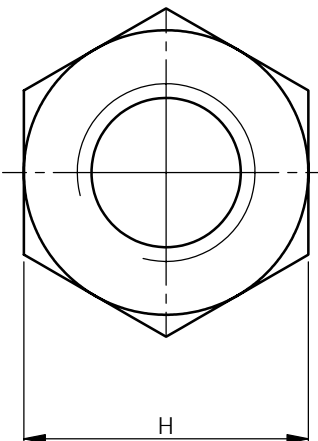
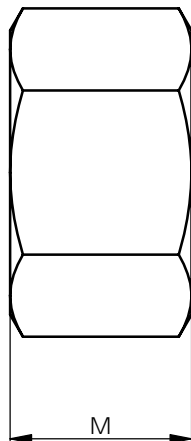


REV.	MODIFICATION.	DATE	DRN
01	NEW DRAWING	19/10/04	NJB
02	ECN 2005-033	03/03/05	NJB
03	ECN 2006-051	17/03/06	OW



NOTES:
 1) ALL PRIMARY DIMENSIONS IN mm,
 SECONDARY DIMENSIONS IN INCHES.

NNE-34814-M6	5.0	10.0 [.394]
NNE-34814-M5	4.2	8.0 [.315]
NNE-34814-M4	3.2	7.0 [.276]
NNE-34814-M3	2.4	5.5 [.217]
NNE-34814-M2.5	2.0	5.0 [.197]
NNE-34814-M2	1.6	4.0 [.158]
PART REF:	M	H

INFORMATION CONTAINED IN THIS DOCUMENT IS CONFIDENTIAL TO RICHCO INTERNATIONAL Co. Ltd. AND MAY NOT BE DISCLOSED OR REPRODUCED IN WHOLE OR PART WITHOUT THEIR WRITTEN CONSENT



METRIC GENERAL TOLERANCES ± 0.25
 ARE PRIMARY UNLESS OTHERWISE STATED
 1 DECIMAL PLACE \pm
 2 DECIMAL PLACES \pm
 ANGULAR $\pm 1^\circ$

IMPERIAL GENERAL TOLERANCES ± 0.010
 ARE FOR REFERENCE UNLESS OTHERWISE STATED
 1 DECIMAL PLACE \pm
 2 DECIMAL PLACES \pm
 ANGULAR $\pm 1^\circ$

MATERIAL: NYLON 6/6 (RMS-174)		COLOUR: NATURAL	
TITLE: HEX NUT		PART No: NNE-34814-MX	
DRG No: 04-121	NPR REF:		SIZE A4
DRN NJB	DATE 19/10/04	CHKD I.C	DATE 19/10/04
SCALE NTS		SHEET No 1 OF 1	